

ELECTRICAL SPECIFICATIONS:

OPERATING TEMPERATURE RANGE: : -40°C TO +85°C

1.0 TURNS RATIO: (P4-P5-P6) : (J3-J6) : 1CT : 1CT ± 3%  
 (P1-P2-P3) : (J1-J2) : 1CT : 1CT ± 3%

2.0 INDUCTANCE: (P4-P6) : 350uH MIN. @ 0.1V, 100KHZ, 8mA DC Bias  
 (P1-P3) : 350uH MIN. @ 0.1V, 100KHZ, 8mA DC Bias

3.0 LEAKAGE INDUCTANCE: P4-P6 (WITH J6 AND J3 SHORT) : 0.3uH MAX. @ 1MHZ  
 P1-P3 (WITH J2 AND J1 SHORT) : 0.3uH MAX. @ 1MHZ

4.0 INTERWINDING CAPACITANCE: (P4,P5,P6) TO (J6,J3) : 35pf MAX @ 1MHZ  
 (P1,P2,P3) TO (J2,J1) : 35pf MAX @ 1MHZ

5.0 DC RESISTANCE: (J6-J3)=(J2-J1) : 1.5 ohms Max.

NOTE

1.0 P  
 CON

2.0 A  
 TOL

Bel Stewart C  
 11118 Susquehanna  
 Glen Rock, Pa 1732  
 717.234.7512

THIS DRAWING AND THE SUBJECT MATTER SHOWN THEREON ARE CONFIDENTIAL AND PROPERTY OF BEL STEWART CONNECTOR AND SHALL NOT BE REPRODUCED, COPIED, OR USED IN ANY MANNER WITHOUT PRIOR WRITTEN CONTENT OF BEL STEWART CONNECTOR. THE SUBJECT MATTER MAY BE PATENTED OR A PATENT MAY BE PENDING.

RECEIVE

6.0 RETURN LOSS: (P4-P6)=100 OHMS AND (P1-P3) =100 OHM REF.  
1MHz TO 30MHz : -18dB MIN.  
30MHz TO 60MHz : -(19-20 LOG (f/30MHz))  
60MHz TO 80MHz : 12dB MIN.

NOTE: 100 OHMS CONNECTED TO (J2-J1) OR (J6-J3).

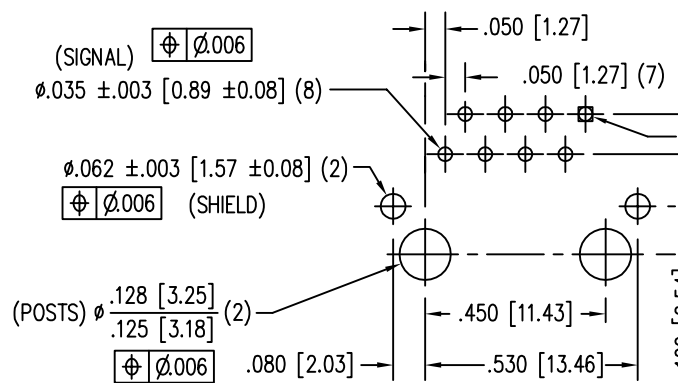
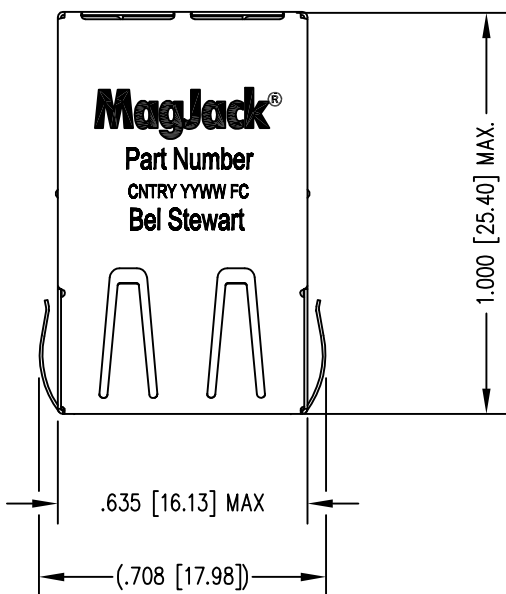
7.0 DIELECTRIC WITHSTAND: (J1, J2) TO (P1, P3) : 1500 VAC  
(J3, J6) TO (P4,P6) : 1500 VAC

8.0 INSERTION LOSS: RS=RL=100 ohms  
1-65MHz : -1 dB MAX

9.0 RISE TIME: RS=100 OHMS AND RL = 100 OHMS  
OUTPUT VOLTAGE = 1 V peak : 3.0 nS MAX  
PULSE WIDTH= 112nS : 3.0 nS MAX

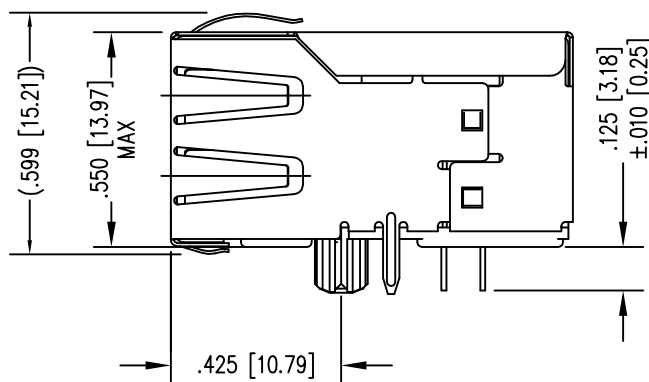
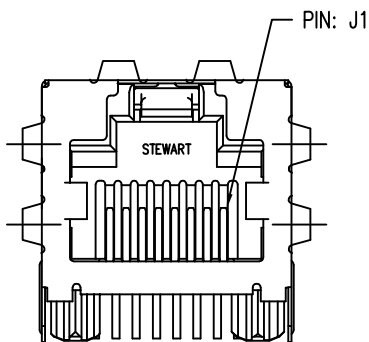
10.0 CROSS TALK: 1-65MHz : -35 dB MIN

11.0 COMMON TO COMMON MODE ATTENUATION: 30MHz TO 100MHz : -30dB MAX  
100MHz TO 130MHz : -20dB MAX



P.C.B. RECOMMENDED HOLE LAYOUT  
SEEN FROM COMPONENT SIDE

ALL CENTERLINE DIMENSIONS ARE BASIC.

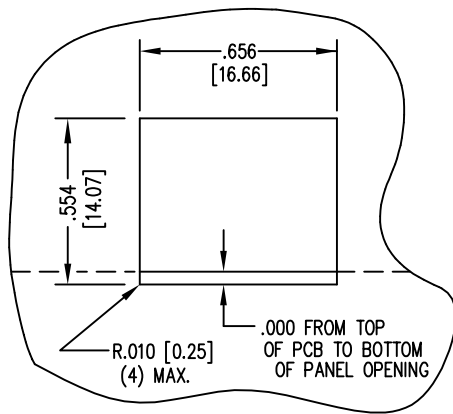


NOTES:

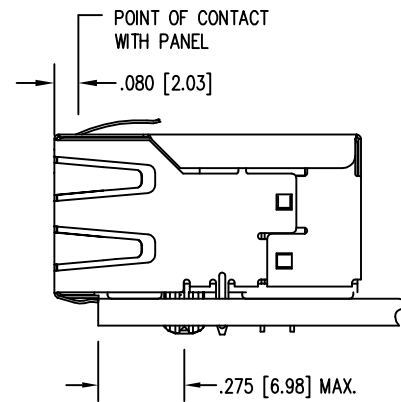
1. CONNECTOR MATERIAL: HOUSING: THERMOPLASTIC CONTACT/SHIELD: COPPER SHIELD PLATING: NICKEL CONTACT PLATING: SILVER
2. PIN NOT ELECTRICAL CONNECTION SEE ELECTRICAL DRAWING
3. TOLERANCES COMPLY WITH ASSEMBLY DRAWING
4. ALL TOLERANCES NOMINAL UNLESS OTHERWISE SPECIFIED
5. WAVE SOLDER COMPATIBLE HIGH TEMPERATURE SOLDER

THIS DRAWING AND THE SUBJECT MATTER SHOWN THEREON ARE CONFIDENTIAL AND PROPERTY OF BEL STEWART CONNECTOR AND SHALL NOT BE REPRODUCED, COPIED, OR USED IN ANY MANNER WITHOUT PRIOR WRITTEN CONTENT OF BEL STEWART CONNECTOR. THE SUBJECT MATTER MAY BE PATENTED OR A PATENT MAY BE PENDING.

Bel Stewart Connector  
11118 Susquehanna  
Glen Rock, Pa 17320  
717.234.7512



SUGGESTED PANEL OPENING



1. THE SUGGESTED DIMENSIONS ARE TO GIVE THE USER THE BEST OF REASONABLE JUDGMENT TO YET MAINTAIN THE FUNCTIONAL CAPABILITY.
2. ALL TOLERANCES ARE TO BE  $\pm .005$