

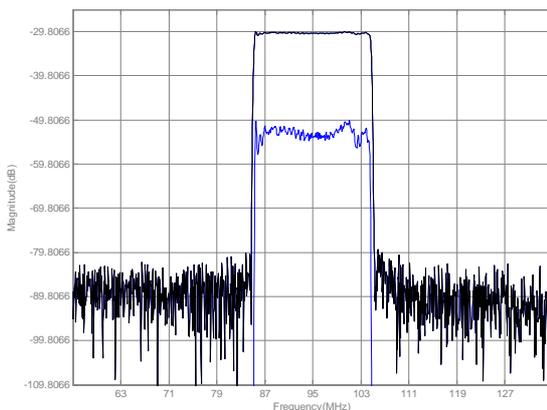


LBN09501 SAW Filter Electrical Characteristic

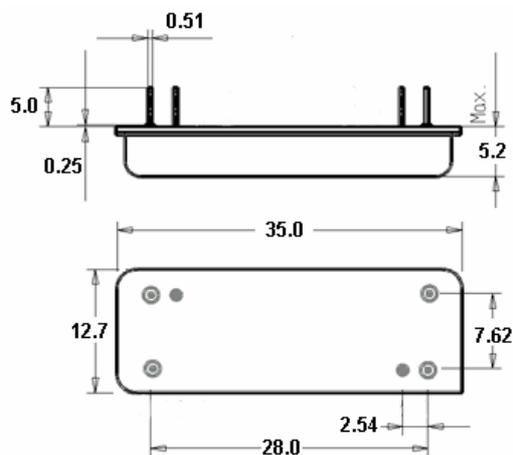
Specifications

Parameter	Unit	Minimum	Typical	Maximum
Center Frequency	MHz	94.85	95	95.15
Insertion Loss	dB	-	28.90	30
1 dB Bandwidth	MHz	19.10	19.25	-
3 dB Bandwidth	MHz	19.30	19.50	-
40 dB Bandwidth	MHz	-	20.36	20.45
50 dB Bandwidth	MHz	-	20.50	-
Passband variation	dB	-	0.8	1.0
Absolute Delay	usec	-	3.14	-
Ultimate Rejection	dB	50	53	-
Substrate Material		YZ LN		
Ambient Temperature	°C	25		
Package Size		DIP3512 (35.0x12.7x5.2mm ³)		

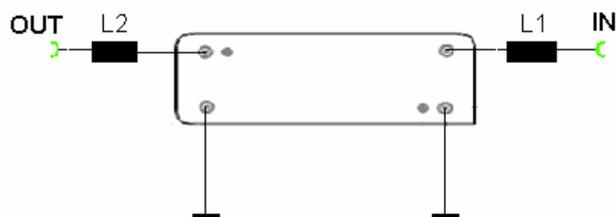
Typical Performance



Package Outline



Matching Configuration



$L1 = L2 = 82\text{nH}$

Source/Load Impedance=50 ohm

Notes - Component values may change depending on board layout.