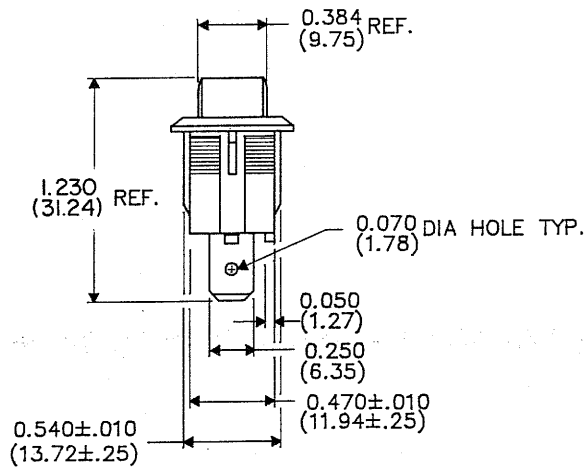
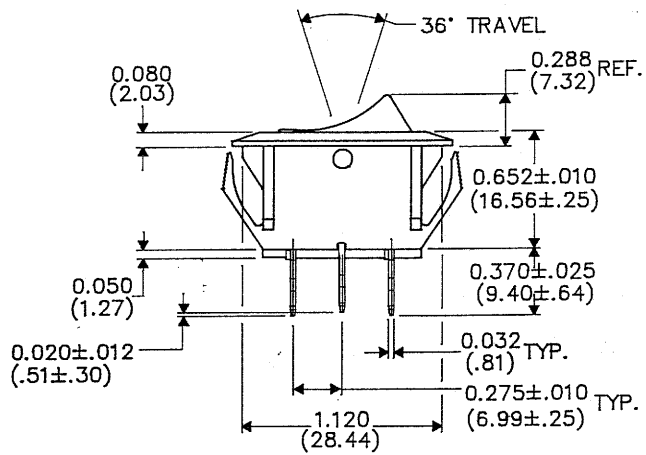
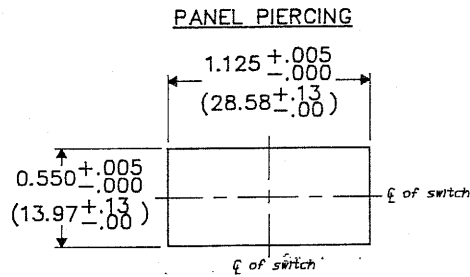
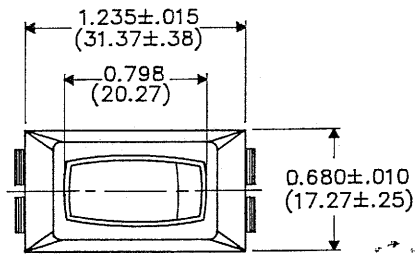


DIMENSIONS IN INCHES (MILLIMETERS)
DO NOT SCALE DRAWING...

Drawing No. **GRS-2012-2000**



B-FORM-0
REVISIONS
0
RELEASED MAY 13-89
MAM 2-6-89

CW INDUSTRIES
Southampton, Pa. 18966

TOLERANCES UNLESS OTHERWISE SPECIFIED

2 Place decimal ±.010	METRIC
3 Place decimal ±.005	1 Place dec. ±.25 MM
Angles ± 1°	2 Place dec. ±.13 MM

Made for: CW
 Drawn by: MAM 4-14-89
 Checked by: [Signature] 4-26-89
 Approval: [Signature] 2-6-90

Title **ASSEMBLY DRAWING**
S.P.D.T. ROCKER SWITCH
NON-POLARIZED
1.125 x .550 PANEL

Division **SWITCH**

Drawing No. **GRS-2012-2000**

MASTER