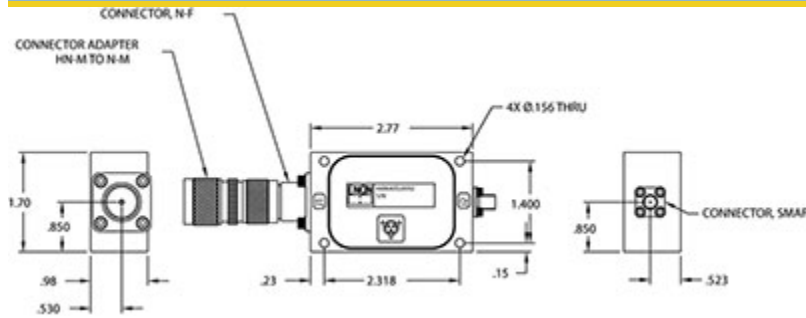


# High Power Limiters EL0092 0.15 GHz to 0.45 GHz



## Power Input Specifications

RF Frequency	0.15 GHz to 0.45 GHz
Peak Power	1000 Watts (max)
Average Power	25 Watts (max)
Pulse Width	10 uSec

## Microwave Specifications

Insertion Loss	0.3 dB
VSWR	1.4:1
Recovery Time	1 uS
Flat Leakage	+26 dBm
Spike Leakage	5 ergs

## Mechanical

## Environmental Notes

Specifications subject to change without notice

Micronetics, Inc. | Hudson, NH | Tel: 1-603-883-2900 | [www.Micronetics.com](http://www.Micronetics.com)

# MICRONETICS

