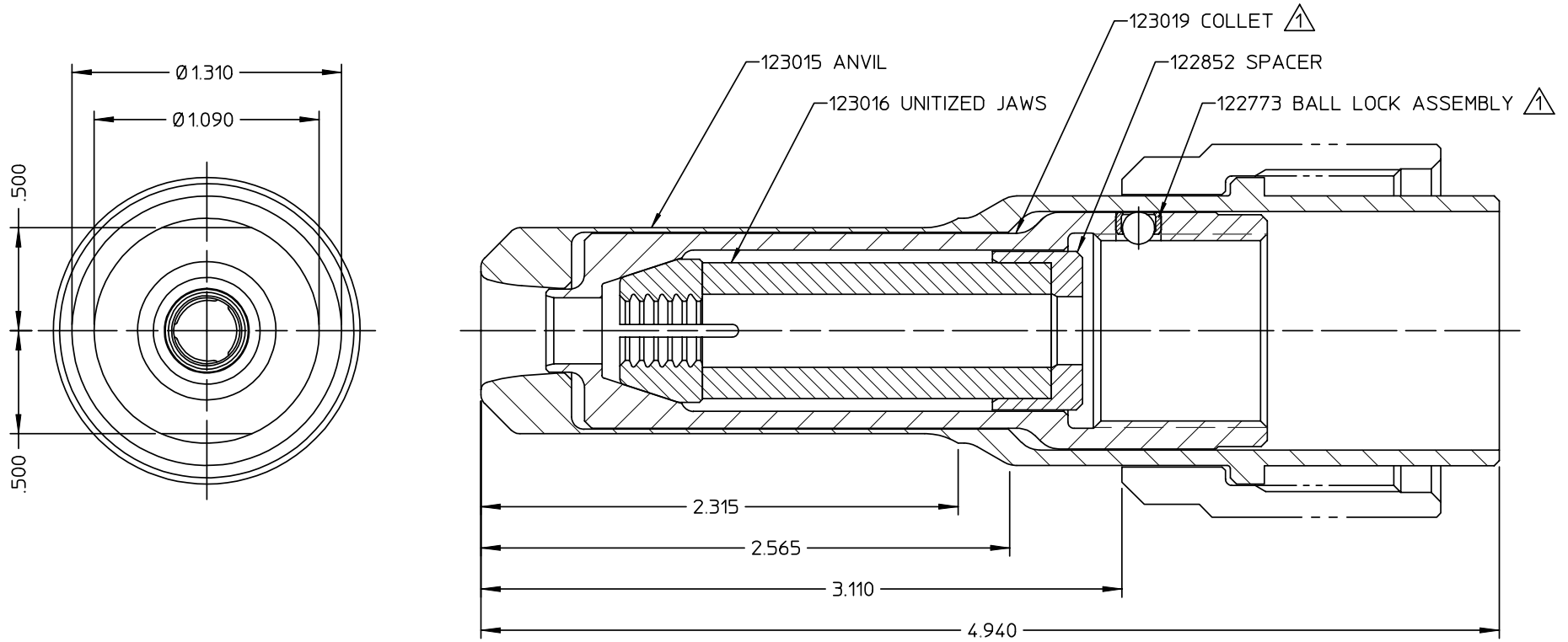


DATA SHEET



Alcoa Fastening Systems

Commercial Products
1 Corporate Drive, Kingston, NY 12401

99-3217	Part Number	TYPE:	NON-SELF-RELEASING
		FASTENER:	-10 MG
		TOOL(S):	2600
		Notes:	Product Revision: A
		US Patent:	Date: 07/11/03

NOTES:

△ COLLET AND LOCK ASSEMBLY P/N 123018 CONSISTS OF:
COLLET P/N 123019
BALL LOCK ASSEMBLY P/N 122773
NOT AVAILABLE SEPARATELY.