

PLEASE CHECK WWW.MOLEX.COM FOR LATEST PART INFORMATION

Part Number: [5015270930](#)
Status: **Active**
Overview: [slimstack_mm016_pitch](#)
Description: 0.40mm (.016") Pitch SlimStack™ Board-to-Board Receptacle, SMT, Dual Row, Vertical, 1.30mm (.051") Stacking Height, With Solder Tabs, With Metal Cover, 90 Circuits

Documents:

[3D Model](#) [Product Specification PS-501527-001 \(PDF\)](#)
[Drawing \(PDF\)](#) [RoHS Certificate of Compliance \(PDF\)](#)

General

| | |
|----------------|---------------------------------------|
| Product Family | PCB Receptacles |
| Series | 501527 |
| Application | Board-to-Board |
| Overview | slimstack_mm016_pitch |
| Product Name | SlimStack™ |

Physical

| | |
|--------------------------------|--|
| Circuits (Loaded) | 90 |
| Color - Resin | Black |
| Durability (mating cycles max) | 30 |
| Glow-Wire Compliant | No |
| Lock to Mating Part | Yes |
| Mated Height (in) | 0.051 In |
| Mated Height (mm) | 1.30 mm |
| Material - Metal | High Performance Alloy (HPA), Phosphor Bronze, Stainless Steel |
| Material - Plating Mating | Gold |
| Number of Rows | 2 |
| Orientation | Vertical |
| PCB Locator | No |
| PCB Retention | Yes |
| Packaging Type | Embossed Tape on Reel |
| Pitch - Mating Interface (in) | 0.016 In |
| Pitch - Mating Interface (mm) | 0.40 mm |
| Polarized to Mating Part | No |
| Polarized to PCB | No |
| Robotic Placement | Pick and Place Cap |
| Stackable | No |
| Temperature Range - Operating | -25°C to +85°C |
| Termination Interface: Style | Surface Mount |

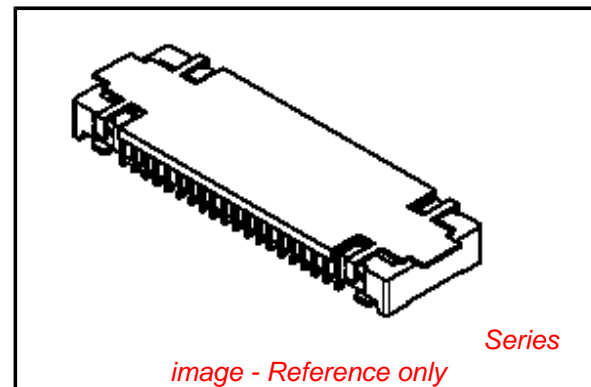
Electrical

| | |
|-------------------------------|-----------------|
| Current - Maximum per Contact | 0.3A |
| Voltage - Maximum | 50V AC (RMS)/DC |

Material Info

Reference - Drawing Numbers

| | |
|-------------------------|---|
| Packaging Specification | SPK-501527-001 |
| Product Specification | PS-501527-001, RPS-501527-001, RPS-501527-004 |
| Sales Drawing | SD-501527-001, SD-501527-002 |



EU RoHS

ELV and RoHS Compliant
REACH SVHC
Contains SVHC: No
Halogen-Free
Status

China RoHS



Not Reviewed

Need more information on product environmental compliance?

Email productcompliance@molex.com
 For a multiple part number RoHS Certificate of Compliance, [click here](#)

Please visit the [Contact Us](#) section for any non-product compliance questions.

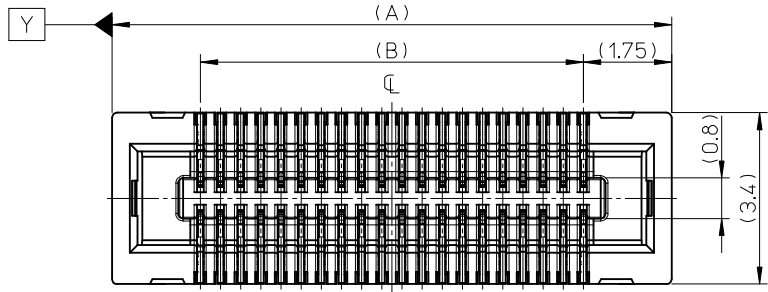
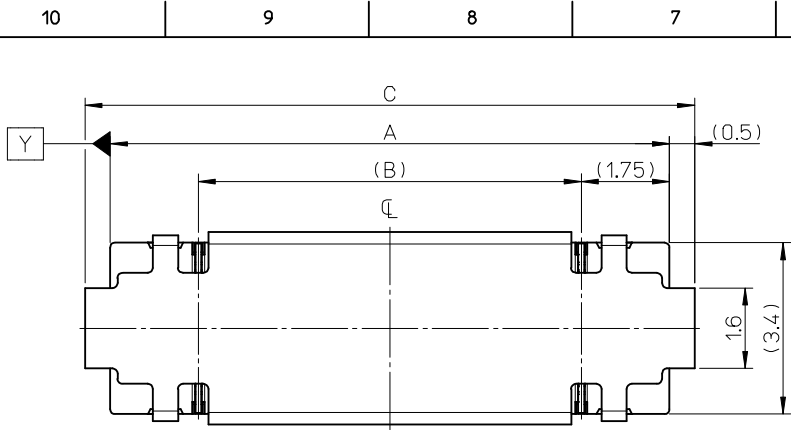
Search Parts in this Series

[501527Series](#)

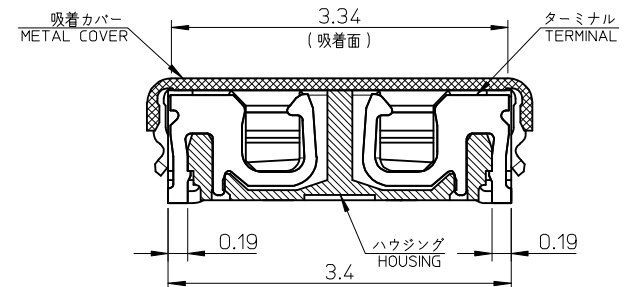
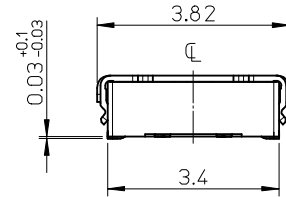
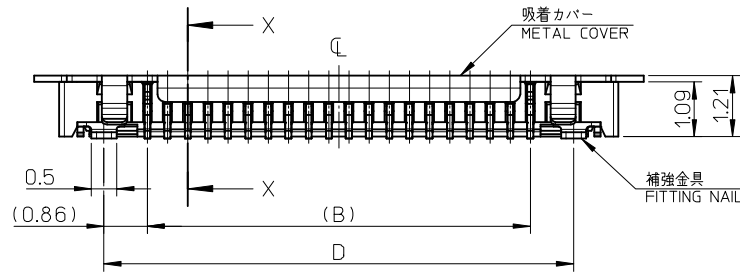
Mates With

[501531 PCB Header](#)

PLEASE CHECK WWW.MOLEX.COM FOR LATEST PART INFORMATION

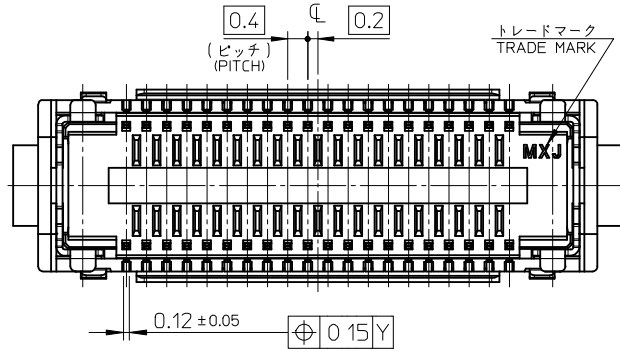


吸着カバー無し図 [参考]
WITHOUT METAL COVER
(REFERENCE)

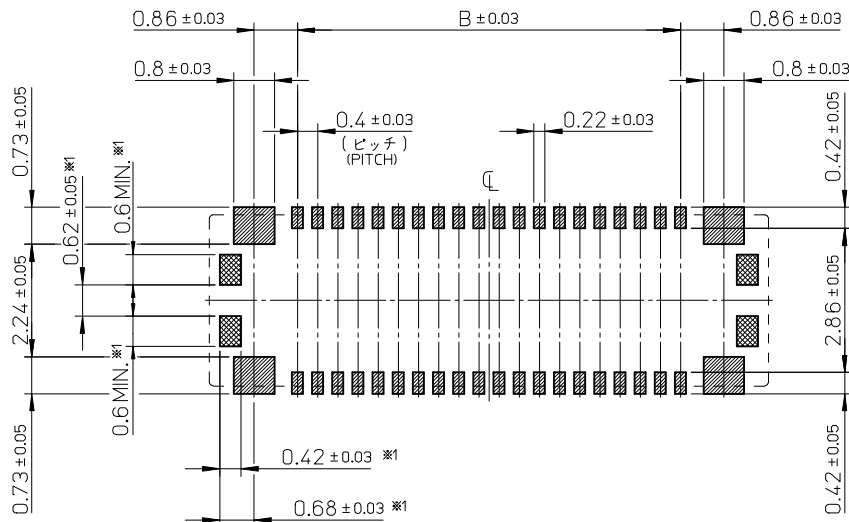


SECTION X-X

| | | | | | | |
|-------|------|------|------|---------------------|-------------------------|------|
| 19.32 | 22.1 | 17.6 | 21.1 | 501527-0930 | 501527-0939 | 90 |
| 17.32 | 20.1 | 15.6 | 19.1 | 501527-0830 | 501527-0839 | 80 |
| 11.32 | 14.1 | 9.6 | 13.1 | 501527-0530 | 501527-0539 | 50 |
| 9.32 | 12.1 | 7.6 | 11.1 | 501527-0430 | 501527-0439 | 40 |
| 8.12 | 10.9 | 6.4 | 9.9 | 501527-3430 | 501527-3439 | 34 |
| 7.72 | 10.5 | 6.0 | 9.5 | 501527-3230 | 501527-3239 | 32 |
| 7.32 | 10.1 | 5.6 | 9.1 | 501527-0330 | 501527-0339 | 30 |
| 5.32 | 8.1 | 3.6 | 7.1 | 501527-0230 | 501527-0239 | 20 |
| D | C | B | A | EMBOSSSED TAPE PKG. | MATERIAL No. | CKT. |
| | | | | ORDER No. オーダー番号 | MODEL No. : 501527-**39 | |



| | | | | | | | |
|---|--|---|----------------------------|---------------------------|---|------------------------|---------------------------|
| REVISED EC NO.: J2009-0301 D DRWN: MABEL 2008/08/27 CHKD: THARUYAMA 2008/08/28 APPR: NUKITA 2008/08/28 | GENERAL TOLERANCES (UNLESS SPECIFIED) | | DIMENSION STYLE MM ONLY | | SCALE 10:1 | DESIGN UNITS METRIC | THIRD ANGLE PROJECTION |
| | 10 UNDER | ± 0.2 | DRAWN BY RTAKEUCHI | DATE 2005/10/25 | TITLE 0.4 B-TO-B CONN. HGT=1.3 REC ASSY WITH COVER -LEAD FREE- | | |
| | 10 OVER 30 UNDER | ± 0.25 | CHECKED BY THIRATA | DATE 2005/10/25 | MOLEX INCORPORATED | | |
| | 30 OVER | ± 0.3 | APPROVED BY MSASAO | DATE 2005/10/25 | DOCUMENT NO. SD-501527-001 | | |
| | ANGULAR ± 3 ° | DRAFT WHERE APPLICABLE MUST REMAIN WITHIN DIMENSIONS | | MATERIAL NO. SEE TABLE | | SHEET NO. 1 OF 2 | |
| | | SIZE A3 THIS DRAWING CONTAINS INFORMATION THAT IS PROPRIETARY TO MOLEX INCORPORATED AND SHOULD NOT BE USED WITHOUT WRITTEN PERMISSION | | | | | |



※1 : 補強金具部と同一回路以外のパターン(配線)引き回し禁止範囲を示す。

参考基板レイアウト(マウント面)
P.C. BOARD PATTERN DIMENSION (REFERENCE)
(MOUNTING AREA)

注記 NOTES

1. 使用材料 MATERIAL

ハウジング: 液晶ポリマー (LCP) ガラス充填 UL94V-0 (黒)
HOUSING: LIQUID CRYSTAL POLYMER (GLASS FILLED) UL94V-0 (COLOR: BLACK)

ターミナル: 9ん青銅 (t=0.12)
TERMINAL: PHOSPHOR BRONZE (t=0.12)

金具: コルソン銅 (t=0.12)
FITTING NAIL: CORSON TYPE COPPER ALLOY (t=0.12)

吸着カバー: ステンレス (t=0.12)
METAL COVER: STAINLESS (t=0.12)

2. メッキ仕様 PLATING

ターミナル TERMINAL

金メッキ 0.2 マイクロメートル以上 (コンタクト部)
GOLD 0.2 MICROMETER MINIMUM (CONTACT AREA)

金メッキ 0.4 マイクロメートル以下 (テール部)
GOLD 0.4 MICROMETER MAXIMUM (TAIL AREA)

下地メッキ: ニッケルメッキ 1.5 マイクロメートル以上
UNDER PLATING: NICKEL 1.5 MICROMETER MINIMUM

※コンタクト部とテール部はニッケルメッキによって分断されている金メッキです。
DIVIDE INTO PARTS THE GOLD PLATING OF THE CONTACT AND THE TAIL PART BY THE NICKEL PLATING.

金具 FITTING NAIL

半田付け処理 (金・パラジウムコート)
SOLDERABILITY IMPROVEMENT COAT (Au & Pd COAT)

下地メッキ: ニッケルメッキ 1.0 マイクロメートル以上
UNDER PLATING: NICKEL 1.0 MICROMETER MINIMUM

△ (全極数 / 2) = 偶数の場合に適用。
APPLY FOR (CIRCUIT / 2) = EVEN.

4. 嵌合相手: 501531 シリーズ
MATE WITH: 501531 SERIES.

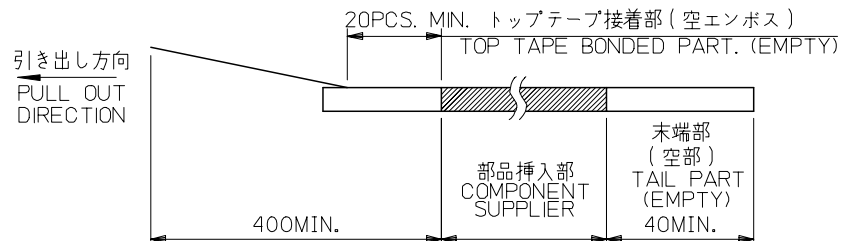
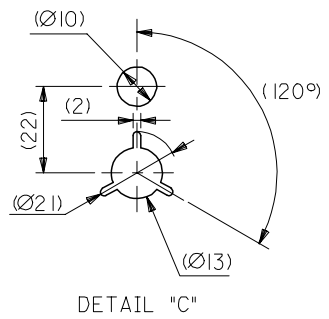
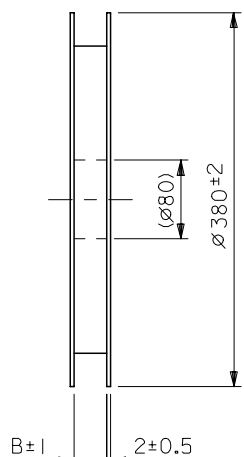
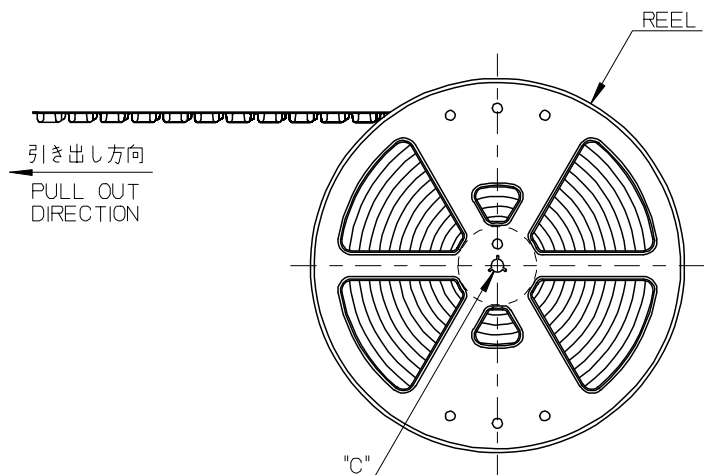
5. テール平坦度は、0.08 以下

テール及び金具の平坦度は、0.1 以下
TAIL COPLANARITY TO BE 0.08 MAXIMUM.
TAIL AND FITTING NAIL COPLANARITY TO BE 0.1 MAXIMUM.

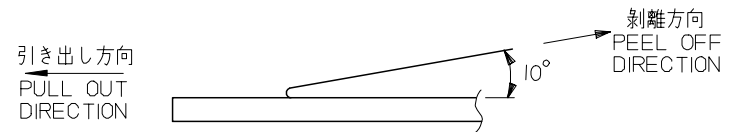
| | | | | | | |
|--|--|-------|----------------------------|--|---|-------------------------------|
| REVISED EC NO: J2009-0301 DRWN: MWABEI 2008/08/27 CHKD: THARUYAMA 2008/08/28 APPR: NUKITA 2008/08/28 | GENERAL TOLERANCES (UNLESS SPECIFIED) | | DIMENSION STYLE MM ONLY | SCALE 10:1 | DESIGN UNITS METRIC | THIRD ANGLE PROJECTION |
| | 10 UNDER | ±0.2 | DRAWN BY RTAKEUCHI | DATE 2005/10/25 | TITLE 0.4 B-TO-B CONN. HGT=1.3 REC ASSY WITH COVER -LEAD FREE- | |
| | 10 OVER 30 UNDER | ±0.25 | CHECKED BY THIRATA | DATE 2005/10/25 | MOLEX INCORPORATED | |
| | 30 OVER | ±0.3 | APPROVED BY MSASAO | DATE 2005/10/25 | MATERIAL NO. SEE SHEET 1 | DOCUMENT NO. SD-501527-001 |
| REV D | ANGULAR ±3 ° DRAFT WHERE APPLICABLE MUST REMAIN WITHIN DIMENSIONS | | SIZE A3 | THIS DRAWING CONTAINS INFORMATION THAT IS PROPRIETARY TO MOLEX INCORPORATED AND SHOULD NOT BE USED WITHOUT WRITTEN PERMISSION | | |

注記 NOTES

- 製品詳細寸法については製品単体図面を参照下さい。
RE DETAILED DIMENSION, SEE PRODUCT DRAWING.
- 梱包数量：6000 個/リール
NUMBER OF CONNECTORS : 6000PCS/REEL
- リードテープ長さ LEAD TAPE LENGTH



- トップテープの剥離強度：JES-59 参照
剥離方向は下図参照。
PEELING OFF STRENGTH OF TOP TAPE : REFER TO JES-59
PEELING DIRECTION AS SHOWN IN FOLLOWING FIGURE.



- 材料 MATERIAL
キャリアテープ (CARRIER TAPE) : ポリスチレン (POLYSTYRENE)
トップテープ (TOP TAPE) : PET , PE , PEF
リール (REEL) : ポリスチレン (PS) <リサイクル材を含む>
POLYSTYRENE (PS) <RECYCLE MATERIAL CONTAINED>

MODEL NO. 501527-***30

| | | | | | | | | |
|--|-------------|---|------------|--------------------|--------------|---|------------------------|--|
| REVISED EC NO: J2007-3237 DRAWN: KSAI T001 2007/08/01 CHKD: KTOYODA 2007/08/02 APPR: NUKITA 2007/08/02 | DESCRIPTION | GENERAL TOLERANCES (UNLESS SPECIFIED) | | DIMENSION STYLE | SCALE | DESIGN UNITS | THIRD ANGLE PROJECTION | |
| | | | | MM ONLY | --- | METRIC | | |
| | | 10 UNDER | ±--- | DRAWN BY | DATE | TITLE | | |
| | | 10 OVER 30 UNDER | ±--- | RTAKEUCHI | 2005/10/26 | 0.4 B-TO-B CONN. HGT=1.3 REC ASSY WITH COVER EMBSTP PKG -LEAD FREE- | | |
| 30 OVER | ±--- | CHECKED BY | DATE | MOLEX INCORPORATED | | | | |
| | | APPROVED BY | DATE | SD-501527-002 | | | SHEET NO. | |
| | | MSASAO | 2005/10/26 | SEE CHART | | | 1 OF 4 | |
| | | ANGULAR ±--- | | MATERIAL NO. | DOCUMENT NO. | | | |
| | | DRAFT WHERE APPLICABLE MUST REMAIN WITHIN DIMENSIONS | | SD-501527-002 | | | | |
| | | THIS DRAWING CONTAINS INFORMATION THAT IS PROPRIETARY TO MOLEX INCORPORATED AND SHOULD NOT BE USED WITHOUT WRITTEN PERMISSION | | | | | | |

10 9 8 7 6 5 4 3 2 1

F

E

D

C

B

A

F

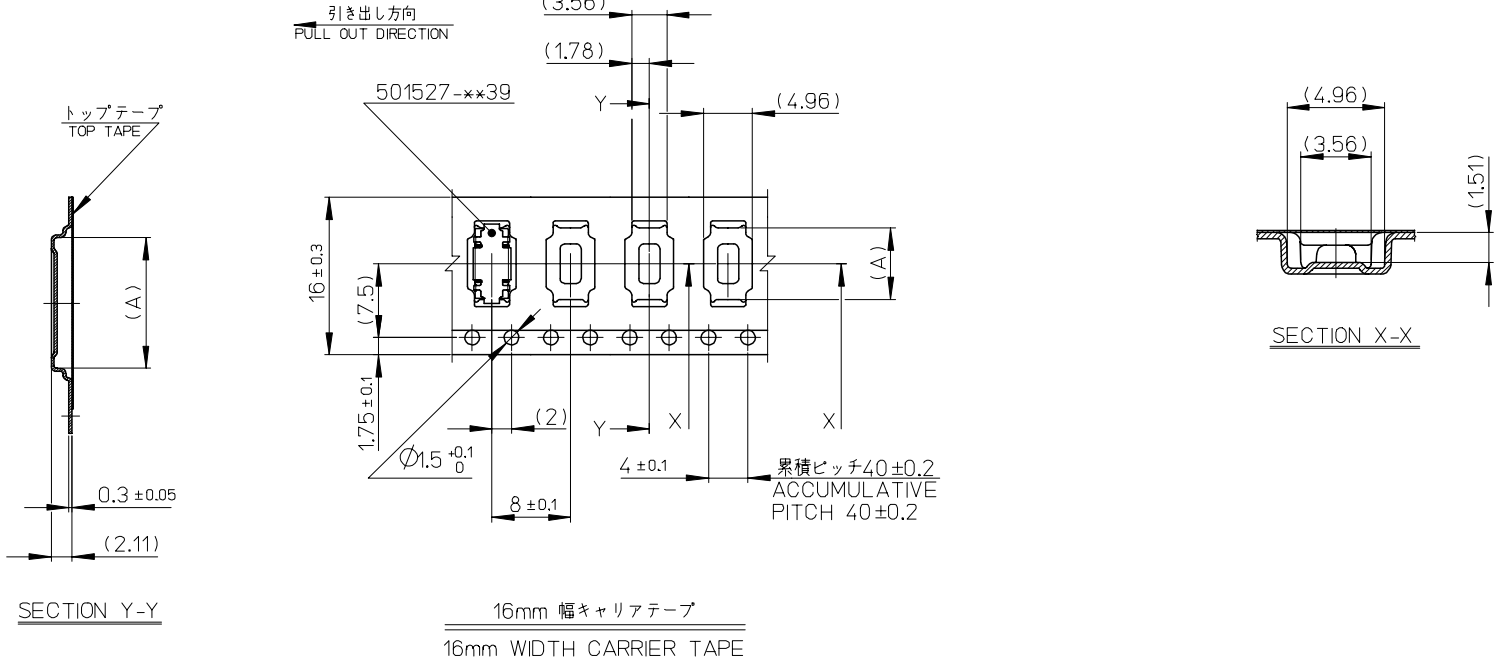
E

D

C

B

A



| | | | | |
|--------------------------------|------|------|--------------|-------------|
| 16 | 17.5 | 7.26 | 501527-0230 | 20 |
| キャリアテープ幅 CARRIER TAPE WIDTH | B | (A) | MATERIAL No. | CKT. |
| | | | MODEL No. | 501527-**30 |

| | | | | | | |
|--|-------------|--|----------------------------|---|------------------------|--|
| REVISED EC NO: J2007-3237 DRWNG: SAITO01 2007/08/01 CHKDK: TOYODA 2007/08/02 APPR: NUKITA 2007/08/02 | DESCRIPTION | GENERAL TOLERANCES (UNLESS SPECIFIED) | DIMENSION STYLE MM ONLY | SCALE --- | DESIGN UNITS METRIC | THIRD ANGLE PROJECTION |
| | REV | 10 UNDER | ± --- | DRAWN BY RTAKEUCHI | DATE 2005/10/26 | TITLE 0.4 B-TO-B CONN. HGT=1.3 REC ASSY WITH COVER EMBSTP PKG -LEAD FREE- |
| | | 10 OVER 30 UNDER | ± --- | CHECKED BY THIRATA | DATE 2005/10/26 | MOLEX INCORPORATED DOCUMENT NO. SD-501527-002 SHEET NO. 2 OF 4 |
| | | 30 OVER | ± --- | APPROVED BY MSASAO | DATE 2005/10/26 | |
| | ANGULAR | ± --- ° | MATERIAL NO. | SEE CHART | | |
| | | DRAFT WHERE APPLICABLE MUST REMAIN WITHIN DIMENSIONS | SIZE A3 | THIS DRAWING CONTAINS INFORMATION THAT IS PROPRIETARY TO MOLEX INCORPORATED AND SHOULD NOT BE USED WITHOUT WRITTEN PERMISSION | | |

10 9 8 7 6 5 4 3 2 1

F

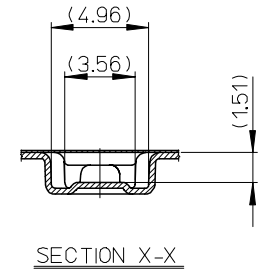
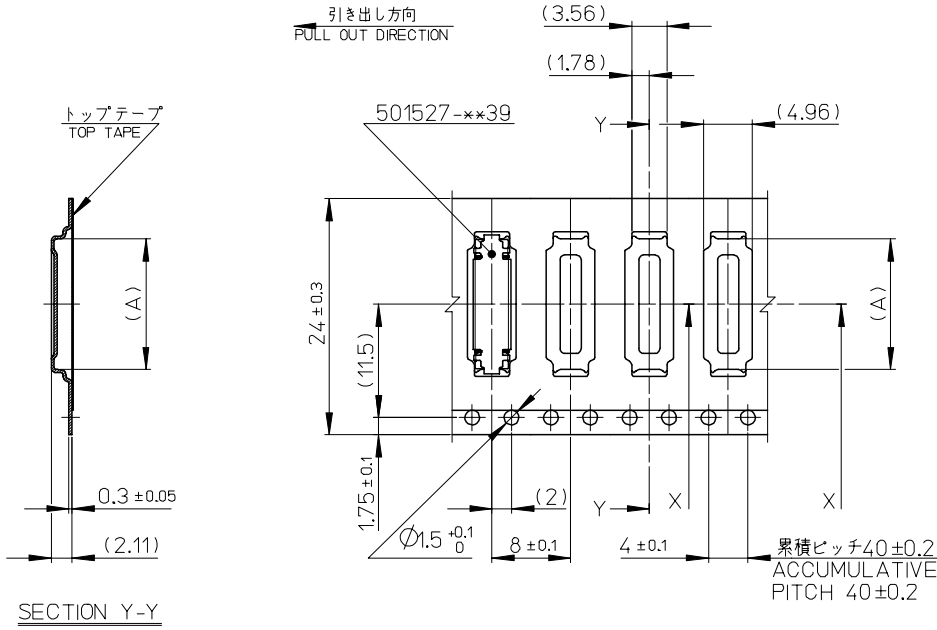
E

D

C

B

A



24mm 幅キャリアテープ
24mm WIDTH CARRIER TAPE

| | | | | | |
|--------------------------------|------|-------|-------------|--------------|--------------|
| 24 | 25.5 | 13.26 | 501527-0530 | 50 | |
| | | 11.26 | 501527-0430 | 40 | |
| | | 10.06 | 501527-3430 | 34 | |
| | | 9.66 | 501527-3230 | 32 | |
| | | 9.26 | 501527-0330 | 30 | |
| キャリアテープ幅 CARRIER TAPE WIDTH | | B | (A) | MATERIAL No. | CKT. |
| | | | | MODEL No. | 501527-**-39 |

| | | | | | | | | |
|--|-------------|---------------------------------------|------------|--|------------|---|------------------------|--|
| REVISED EC NO: J2007-3237 DRWNG: SAITO01 2007/08/01 CHKDK: TOYODA 2007/08/02 APPR: NUKITA 2007/08/02 | DESCRIPTION | GENERAL TOLERANCES (UNLESS SPECIFIED) | | DIMENSION STYLE | SCALE | DESIGN UNITS | THIRD ANGLE PROJECTION | |
| | | | | MM ONLY | --- | METRIC | | |
| | | 10 UNDER | ±--- | DRAWN BY | DATE | TITLE | | |
| | | 10 OVER 30 UNDER | ±--- | RTAKEUCHI | 2005/10/26 | 0.4 B-TO-B CONN. HGT=1.3 REC ASSY WITH COVER EMBSTP PKG -LEAD FREE- | | |
| 30 OVER | ±--- | CHECKED BY | DATE | MOLEX INCORPORATED | | | SHEET NO. 3 OF 4 | |
| ANGULAR | ±--- | THIRATA | 2005/10/26 | MATERIAL No. | | | | |
| DRAFT WHERE APPLICABLE MUST REMAIN WITHIN DIMENSIONS | | SEE CHART | | DOCUMENT NO. | | SD-501527-002 | | |
| | | SIZE A3 | | THIS DRAWING CONTAINS INFORMATION THAT IS PROPRIETARY TO MOLEX INCORPORATED AND SHOULD NOT BE USED WITHOUT WRITTEN PERMISSION | | | | |

9

8

7

6

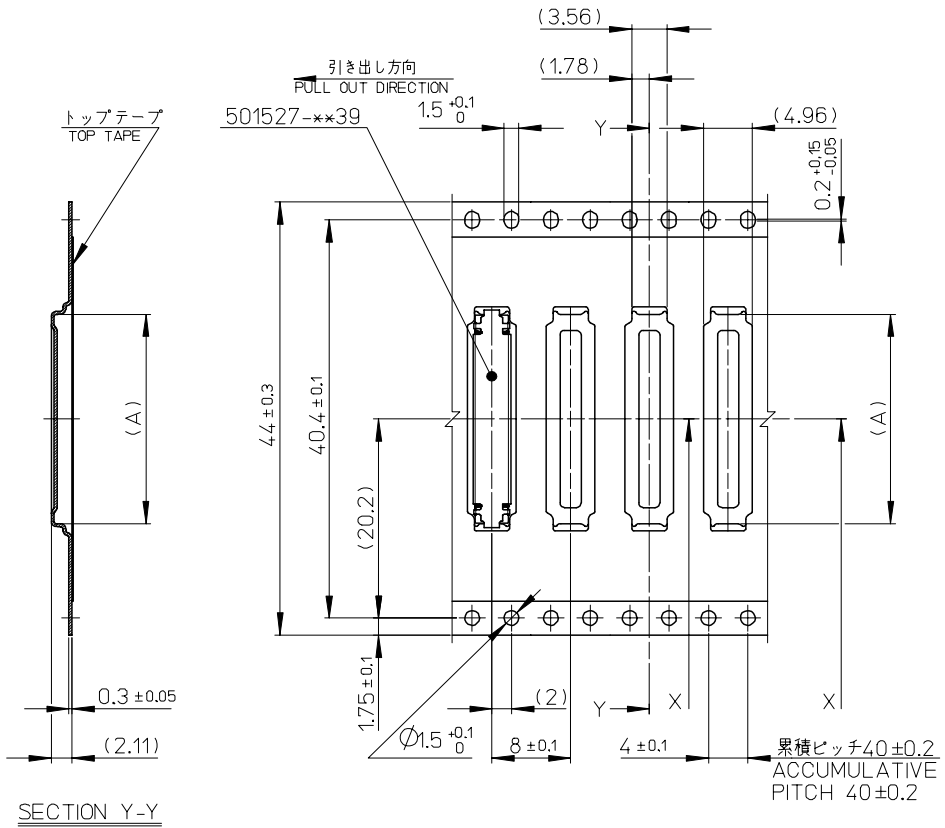
5

4

3

2

10 9 8 7 6 5 4 3 2 1



SECTION Y-Y

SECTION X-X

44mm 幅キャリアテープ
44mm WIDTH CARRIER TAPE

| | | | | |
|--------------------------------|------|-------|--------------|--------------|
| 44 | 45.5 | 21.26 | 501527-0930 | 90 |
| | | 19.26 | 501527-0830 | 80 |
| キャリアテープ幅 CARRIER TAPE WIDTH | B | (A) | MATERIAL No. | CKT. |
| | | | MODEL No. | 501527-**-30 |

| | | | | | |
|---|---|----------------------------|--------------------|--|------------------------|
| REVISED EC NO: J2007-3237 DRW:KSAIT001 2007/08/01 CHK:KTOYODA 2007/08/02 APPR:NUKITA 2007/08/02 | GENERAL TOLERANCES (UNLESS SPECIFIED) | DIMENSION STYLE MM ONLY | SCALE --- | DESIGN UNITS METRIC | THIRD ANGLE PROJECTION |
| | 10 UNDER ± --- | DRAWN BY RTAKEUCHI | DATE 2005/10/26 | TITLE 0.4 B-TO-B CONN. HGT=1.3 REC ASSY WITH COVER EMBSTP PKG -LEAD FREE- | |
| | 10 OVER 30 UNDER ± --- | CHECKED BY THIRATA | DATE 2005/10/26 | MOLEX INCORPORATED | |
| | 30 OVER ± --- | APPROVED BY MSASAO | DATE 2005/10/26 | DOCUMENT NO. SD-501527-002 | SHEET NO. 4 OF 4 |
| ANGULAR ± --- ° | DRAFT WHERE APPLICABLE MUST REMAIN WITHIN DIMENSIONS | | SEE CHART | | |
| | THIS DRAWING CONTAINS INFORMATION THAT IS PROPRIETARY TO MOLEX INCORPORATED AND SHOULD NOT BE USED WITHOUT WRITTEN PERMISSION | | | | |