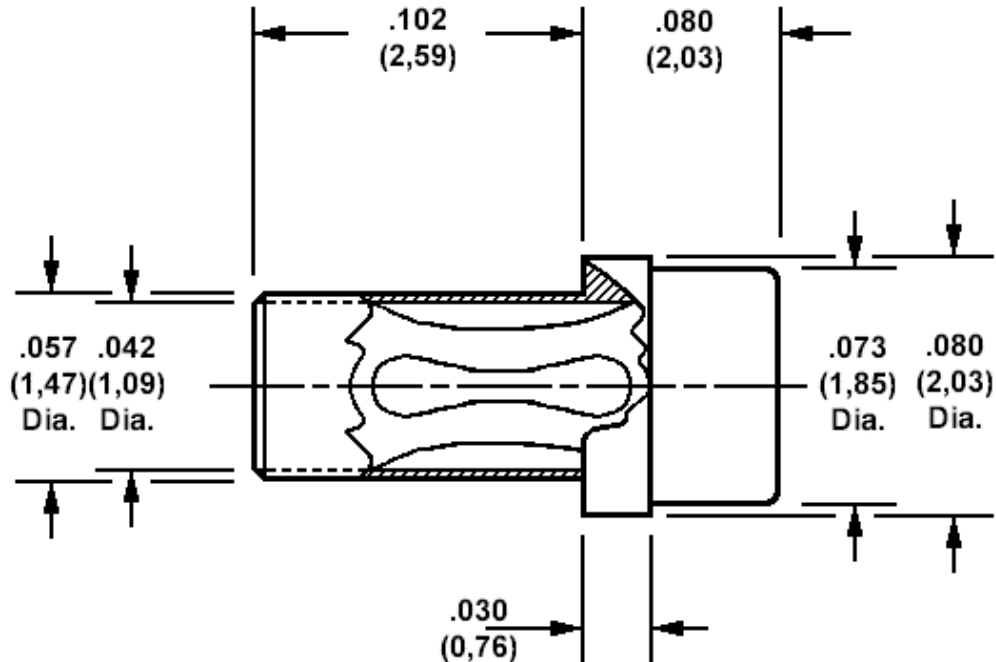


**450-3293 Solder mount, through hole socket, for .025 (0,64) diameter pins**

Recommended mounting hole .062 (1,57) ±.002 (0,05)



Through hole .042 (1,09)

**How to order code**

**450-3293-01-XX-00**

Basic Part No XX = Finish

MATERIALS				
Component	Material	Finish(-03)	Finish(-04)	Finish(-06)
Body	Brass	Gold over Nickel	Tin	Tin
Spring	Beryllium copper	Gold over Nickel	Tin	Gold over Nickel