

PLEASE CHECK WWW.MOLEX.COM FOR LATEST PART INFORMATION

Part Number: [0353030550](#)
Status: **Active**
Description: 2.00mm (.079") Pitch Wire-to-Board Header, Vertical, Blade Pin, Shrouded, 5 Circuits

Documents:

[3D Model](#) [Product Specification PS-35303-001 \(PDF\)](#)
[Drawing \(PDF\)](#) [RoHS Certificate of Compliance \(PDF\)](#)

Agency Certification

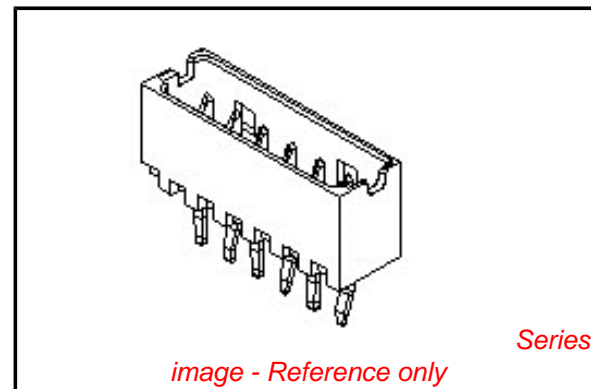
CSA LR 19980
 UL E29179

General

Product Family PCB Headers
 Series [35303](#)
 Application Wire-to-Board
 Product Name N/A

Physical

Breakaway No
 Circuits (Loaded) 5
 Circuits (maximum) 5
 Color - Resin Natural
 Durability (mating cycles max) 30
 First Mate / Last Break No
 Flammability 94V-0
 Glow-Wire Compliant No
 Guide to Mating Part No
 Keying to Mating Part None
 Lock to Mating Part Yes
 Material - Metal Phosphor Bronze
 Material - Plating Mating Tin
 Material - Plating Termination Tin
 Material - Resin Nylon
 Number of Rows 1
 Orientation Vertical
 PC Tail Length (in) 0.138 In
 PC Tail Length (mm) 3.50 mm
 PCB Locator No
 PCB Retention Yes
 PCB Thickness Recommended (in) 0.062 In
 PCB Thickness Recommended (mm) 1.60 mm
 Packaging Type Tube
 Pitch - Mating Interface (in) 0.079 In
 Pitch - Mating Interface (mm) 2.00 mm
 Plating min: Mating (µin) 32
 Plating min: Mating (µm) 0.80
 Plating min: Termination (µin) 32
 Plating min: Termination (µm) 0.80
 Polarized to PCB No
 Shrouded Partial
 Stackable No
 Surface Mount Compatible (SMC) No
 Temperature Range - Operating -20°C to +85°C
 Termination Interface: Style Through Hole



EU RoHS

**ELV and RoHS
 Compliant**
REACH SVHC
 Not Reviewed
**Halogen-Free
 Status**

China RoHS



**Need more information on product
 environmental compliance?**

Email productcompliance@molex.com
 For a multiple part number RoHS Certificate of
 Compliance, [click here](#)

Please visit the [Contact Us](#) section for any
 non-product compliance questions.

Search Parts in this Series

[35303Series](#)

Mates With

[51004 Wire-to-Board Housing](#)

Electrical

Current - Maximum per Contact

2A

Voltage - Maximum

125V

Material Info**Reference - Drawing Numbers**

Product Specification

PS-35303-001

Sales Drawing

SD-35303-001, SD-35303-010

This document was generated on 04/15/2010

PLEASE CHECK WWW.MOLEX.COM FOR LATEST PART INFORMATION

DWG. NO.
SD-35303-001

SIMILAR ITEM

PROJECT NO.

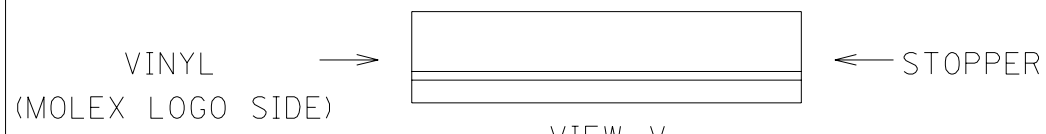
5

4

3

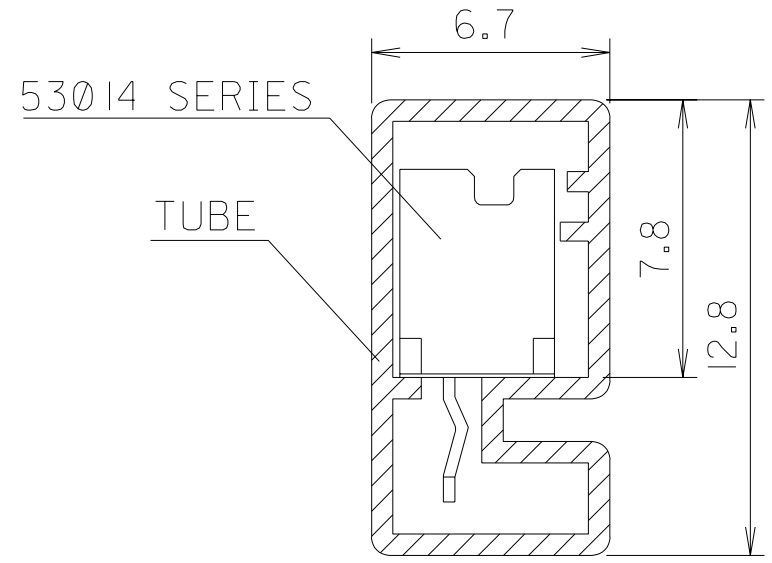
2

1



NOTES
 1. TUBE : STOPPER & VINYL LOCKING TYPE
 2. THICKNESS : 0.6+
 3. LENGTH : 550mm

LEGEND 35303-*** 5 *
 COLOR : 0 --- NATURAL
 1 --- BLACK
 2 --- RED
 3 --- YELLOW
 4 --- BLUE
 CKT (02, 03, 04, ...)



15	35303155*	35303-155*	8	35303085*	35303-085*	53014 SERIES	
14	35303145*	-145*	7	35303075*	-075*		
13	35303135*	-135*	6	35303065*	-065*		
12	35303125*	-125*	5	35303055*	-055*		
11	35303115*	-115*	4	35303045*	-045*		
10	35303105*	-105*	3	35303035*	-035*		
9	35303095*	35303-095*	2	35303025*	35303-025*		
CKTS	MAT'L NO.	ENG NO.	CKTS	MAT'L NO.	ENG NO.		USED ON

NEW RELEASED
 EC NO. KOR2004-0124
 DRWN: K.S.KIM (040324)
 CH'K: J.K.OH
 APPR: C.W.LEE

QUALITY SYMBOLS
 MAJOR =
 CRITICAL =

GENERAL TOLERANCES:
(UNLESS SPECIFIED)

	mm	INCH
4 PLACES	±0.	±.
3 PLACES	±0.	±.
2 PLACES	±0.	±.
1 PLACE	±0.	±.

ANGULAR: ± °

DRAFT WHERE APPLICABLE MUST REMAIN WITHIN DIMENSIONS

SCALE NONE
 DESIGN UNITS mm INCH
 THIRD ANGLE PROJECTION FIRST ANGLE PROJECTION
 DRAWN BY & DATE
 H.S.SHIN (910220)
 CHECKED BY & DATE
 J.K.OH
 APPROVED BY & DATE
 C.W.LEE
 CAD FILENAME
 SD-35303-001

DIMENSIONS:
 mm INCH mm ONLY
 SHT REV
 REVISE ON CAD ONLY
 TITLE:
 TUBE PACKAGED FOR 53014 SERIES
 MOLEX INCORPORATED KOREA
 MATERIAL NO. SEE TABLE
 DRAWING NO. SD-35303-001
 SHEET NO. 1 OF 1
 THIS DRAWING CONTAINS INFORMATION THAT IS PROPRIETARY TO MOLEX INCORPORATED AND SHOULD NOT BE USED WITHOUT WRITTEN PERMISSION.
 SIZE A

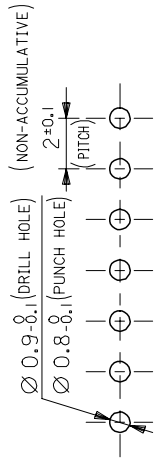
5

4

3

2

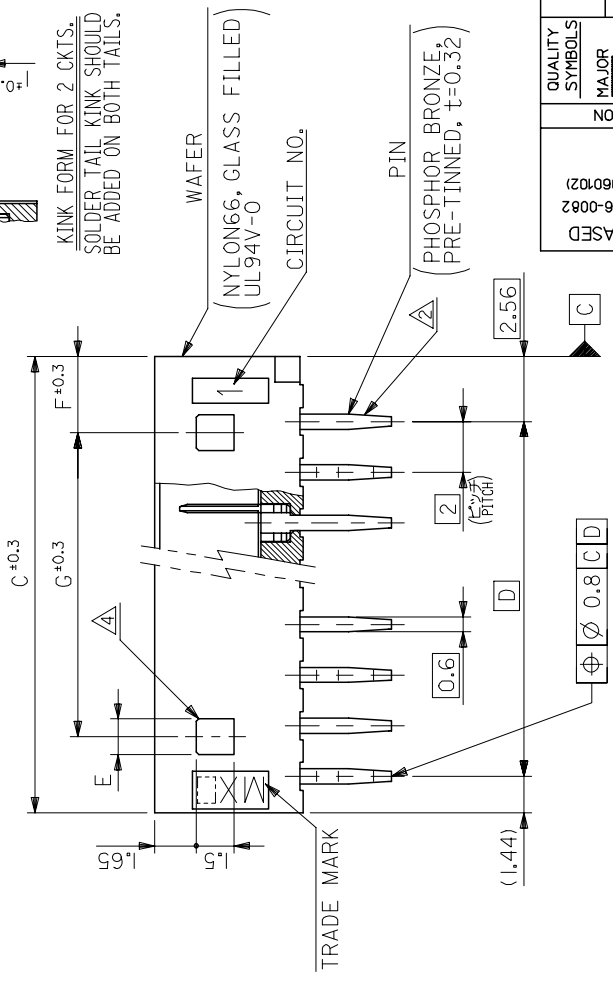
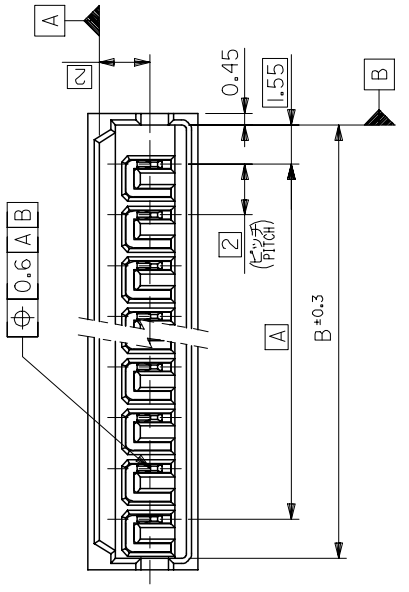
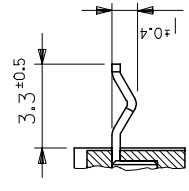
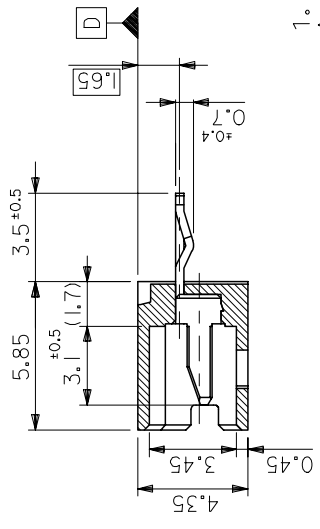
MX-A4



RECOMMENDED P.C. BOARD
HOLE DIMENSION(REFERENCE) t=1.6

NOTES

- MATES WITH : 51004-***00
- KINK TO BE ADDED ON THE ODD NUMBER SOLDER TAILS.(FROM THE TRADE MARK SIDE.)
- * MARK INDICATES DYED COLOR :
"0" NATURAL, "1" BLACK, "2" RED, "3" YELLOW, "4" BLUE
- LOCKING HOLE : 1 PLACE FOR 2, 3 CKTS. AND MORE THAN 4 CKTS.



PROJECT NO.	SCALE	DESIGN UNITS	THIRD ANGLE PROJECTION	TITLE	APPLIED ITEM	ENG. NO.	ENG. NO.	NO. OF CKTS.
26	3	1.4	28	31.1	28	53014-15*	35303-155*	15
24	3	1.4	26	29.1	26	-14*	35303-145*	14
22	3	1.4	24	27.1	24	-13*	35303-135*	13
20	3	1.4	22	25.1	22	-12*	35303-125*	12
18	3	1.4	20	23.1	20	-11*	35303-115*	11
16	3	1.4	18	21.1	18	-10*	35303-105*	10
14	3	1.4	16	19.1	16	-09*	35303-095*	9
12	3	1.4	14	17.1	14	-08*	35303-085*	8
10	3	1.4	12	15.1	12	-07*	35303-075*	7
8	3	1.4	10	13.1	10	-06*	35303-065*	6
6	3	1.4	8	11.1	8	-05*	35303-055*	5
4	3	1.4	6	9.1	6	-04*	35303-045*	4
---	4	3.4	4	7.1	4	-03*	35303-035*	3
---	3	1.4	2	5.1	2	53014-02*	35303-025*	2
G	F	E	D	C	B	A	ENG. NO. Δ	ENG. NO. Δ

GENERAL TOLERANCES: (UNLESS SPECIFIED)	SCALE	DESIGN UNITS	THIRD ANGLE PROJECTION	TITLE
MITT	5:1	MITT	MITT	2.0 LOW PROFILE WAFER ASSY
INCH		INCH	INCH	
4 PLACES $\pm 0.$		DRAWN BY & DATE		
3 PLACES $\pm 0.$		K-SKIM (060102)		
2 PLACES $\pm 0.$		CHECKED BY & DATE		
1 PLACE $\pm 0.$		Y.Soo/KIM		
ANGULAR: \pm		APPROVED BY & DATE		
		SH.CHOI		
		CAD FILENAME		
		DRAWING NO.		
		SD-35303-010		
		SHEET NO.		
		1 OF 1		
		SIZE		
		B		

QUALITY SYMBOLS	DESCRIPTION	REV
MAJOR		
CRITICAL		

NEW RELEASED	DRWN	CHK	APP
	K.S.KIM	Y.Soo/KIM	SH.CHOI
	KOR2006-0082		

ANGLE	GENERAL TOLERANCES
30 OVER	± 0.3
10 OVER 30 UNDER	± 0.25
10 UNDER	± 0.2

DO NOT SCALE DRAWING
DIMENSION IN METRIC