

(アクチュエータが開いた状態)
(WHEN ACTUATOR IS OPENED)

30.3	30.5	32.6	29.5	33.7	51296-6093	51296-6041	60
25.3	25.5	27.6	24.5	28.7	51296-5093	4 -5041	50
22.8	23.0	25.1	22.0	26.2	51296-4593	4 -4541	45
20.3	20.5	22.6	19.5	23.7	51296-4093	-4041	40
17.3	17.5	19.6	16.5	20.7	51296-3493	-3441	34
9.3	9.5	11.6	8.5	12.7	51296-1893	-1841	18
7.3	7.5	9.6	6.5	10.7	51296-1493	7 -1441	14
6.3	6.5	8.6	5.5	9.7	51296-1293	7 -1241	12
4.3	4.5	6.6	3.5	7.7	51296-0893	51296-0841	8
E	D	C	B	A	EMBOSSED TAPE	製品番号	極数
					ORDER No. オーダー番号	MATERIAL No.	Ckt

MODEL No. 51296-**41

金具 FITTING NAIL

GENERAL TOLERANCES (UNLESS SPECIFIED)

10 UNDER	± ---
10 OVER 30 UNDER	± ---
30 OVER	± ---
ANGULAR	± --- °

DRAFT WHERE APPLICABLE MUST REMAIN WITHIN DIMENSIONS

DIMENSION STYLE: MM ONLY

SCALE: --- METRIC

DESIGN UNITS: THIRD ANGLE PROJECTION

DRAWN BY: K. MURAKAMI DATE: 2004/02/06

CHECKED BY: S. AIHARA DATE: 2004/02/06

APPROVED BY: M. SASAO DATE: 2004/02/06

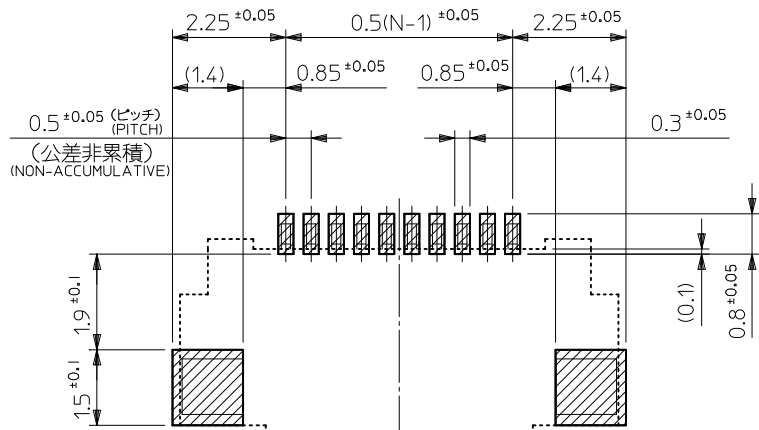
TITLE: 0.5 FPC CONN EASY ON HGT=1.3MM ASSY -LEAD FREE-

MATERIAL NO. SEE TABLE

DOCUMENT NO. SD-51296-007

SHEET NO. 1 OF 2

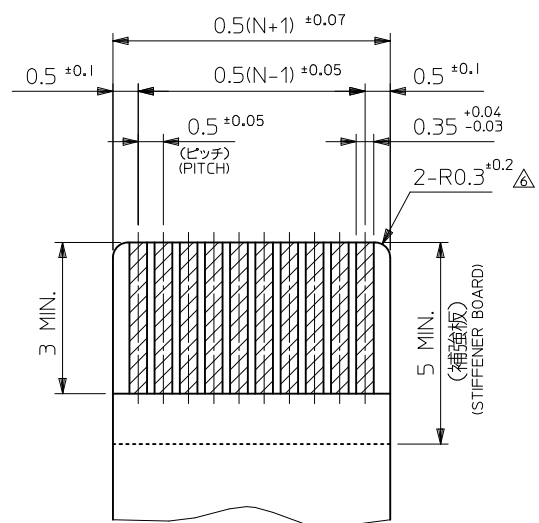
REVISED: EC NO. J2011-0996, DRWN: K. MURAKAMI 2010/11/01, CHKD: CHKD: APPR: K. MORIKAWA 2011/02/15



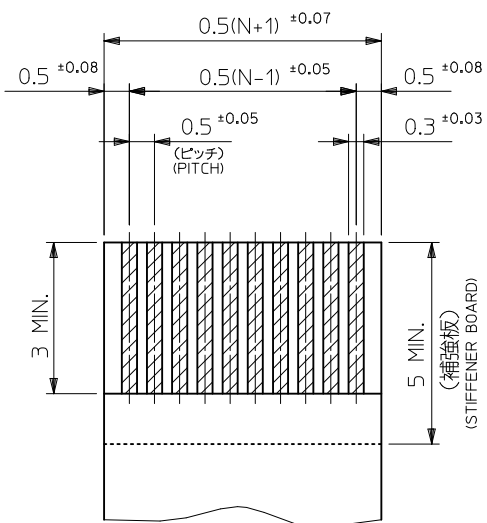
0.5 ±0.05 (ピッチ)
(公差非累積)
(NON-ACCUMULATIVE)

コネクタ位置
CONNECTOR POSITION

参考基板レイアウト
P.C. BOARD PATTERN
DIMENSION (REF.)
(マウント面)
(MOUNTING SIDE)



適合FPC推奨寸法
APPLICABLE FPC
RECOMMENDED DIMENSION
(仕上がり厚さ: 0.3 ±0.05)
(THICKNESS: 0.3 ±0.05)



適合FFC推奨寸法
APPLICABLE FFC
RECOMMENDED DIMENSION
(仕上がり厚さ: 0.3 ±0.05)
(THICKNESS: 0.3 ±0.05)

注記 NOTES

- 使用材料 MATERIAL
 - ハウジング : 液晶ポリマー ガラス充填, UL94V-0 (ベージュ)
HOUSING LIQUID CRYSTAL POLYMER GLASS FILLED, UL94V-0 (BEIGE)
 - アクチュエータ : ポリアミド9T ガラス充填, UL94V-0 (黒)
ACTUATOR POLYAMIDE 9T GLASS FILLED, UL94V-0 (BLACK)
 - ターミナル : リン青銅 (t=0.18)
TERMINAL PHOSPOR BRONZE
 - 金具 : リン青銅 (t=0.15)
FITTING NAIL PHOSPOR BRONZE
- メッキ仕様 PLATING
 - ターミナル TERMINAL
 - 錫ビスマスメッキ 1.0マイクロメートル以上
 - ニッケル下地 1.0マイクロメートル以上
 - TIN-BISMUTH (Sn-Bi) 1.0 MICROMETER MINIMUM
 - OVER NICKEL PLATING 1.0 MICROMETER MINIMUM
 - 金具 FITTING NAIL
 - 錫メッキ 1.0マイクロメートル以上
 - ニッケル下地 1.0マイクロメートル以上
 - TIN (Sn) 1.0 MICROMETER MINIMUM
 - OVER NICKEL (Ni) PLATING 1.0 MICROMETER MINIMUM

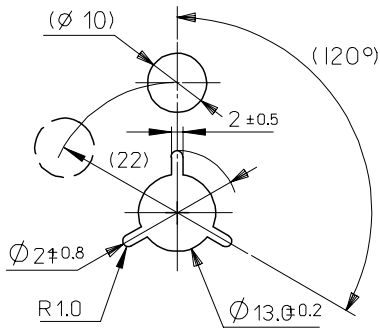
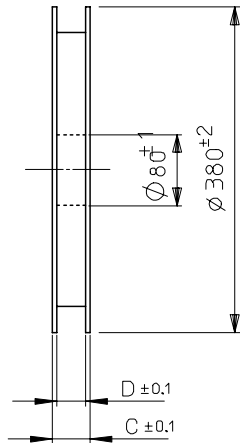
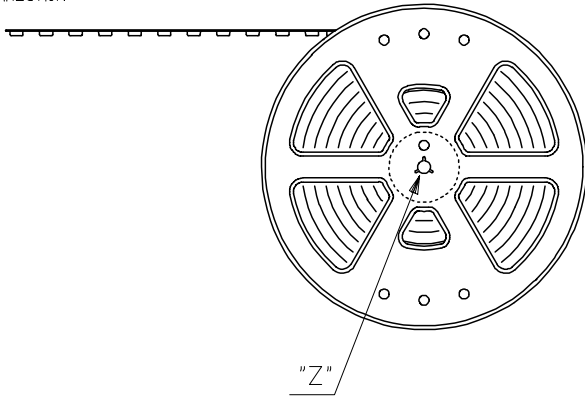
- エンボステープ梱包時は、アクチュエータが閉じた状態とする。
IN THE PACKAGE, ACTUATOR OF PART NO.51296-***41 SHOULD BE CLOSED.
- 偶数極に適用。
APPLY FOR EVEN CIRCUIT.
- パターンはくり止め用金具
FITTING NAIL FOR PREVENTION OF PEELING OF PCB PATTERN.
- R0.3は、FPC導体部にかからないこと。
R0.3 MUST NOT BE OVERLAPPED TO PATTERN OF FPC.
- 極数によりハウジング形状が異なるので注意のこと。
THE HOUSING SHAPE IS DIFFERENT ACCORDING TO THE CIRCUIT.
- 本製品は51296-***31の鉛フリー製品である。
THIS PRODUCT IS LEAD FREE OF 51296-***31.

FPC/FFCについて:
打抜き方向は導体側から補強板側を推奨いたします。
導体部については軟銅箔35マイクロメートルまたは50マイクロメートルを推奨致します。
ABOUT FPC/FFC
RECOMMENDED PUNCHER DIRECTION : FROM CONDUCTOR SIDE TO STIFFENER FILM SIDE.
RECOMMENDED CONDUCTOR SPEC :
THICKNESS OF SOFT COPPER FOIL : 35 MICROMETER OR 50 MICROMETER

FPCについて:
補強フィルム材質はポリイミドを推奨します。
接着剤は熱硬化接着剤を推奨します。
ABOUT FPC
RECOMMENDED MATERIAL :
STIFFENER FILM : POLYIMIDE
BONDING AGENT : THERMOSETTING BONDING AGENT

REVISED EC NO: J2011-0996 DRAWN: K.MURAKAMI 2010/11/01 CHKD: APPR: K.MORIKAWA 2011/02/15	GENERAL TOLERANCES (UNLESS SPECIFIED)		DIMENSION STYLE MM ONLY	SCALE ---	DESIGN UNITS METRIC	MODEL No. 51296-***41
	10 UNDER	± ---	DRAWN BY DATE	TITLE		THIRD ANGLE PROJECTION
	10 OVER 30 UNDER	± ---	K. MURAKAMI 2004/02/06	0.5 FPC CONN EASY ON HGT=1.3MM ASSY -LEAD FREE-		
	30 OVER	± ---	S. AIHARA 2004/02/06	MOLEX INCORPORATED		
ANGULAR	± --- °	APPROVED BY DATE	MATERIAL NO.	DOCUMENT NO.	SHEET NO.	
DRAFT WHERE APPLICABLE MUST REMAIN WITHIN DIMENSIONS		SIZE A3	SEE TABLE SD-51296-007 2 OF 2			
THIS DRAWING CONTAINS INFORMATION THAT IS PROPRIETARY TO MOLEX INCORPORATED AND SHOULD NOT BE USED WITHOUT WRITTEN PERMISSION						

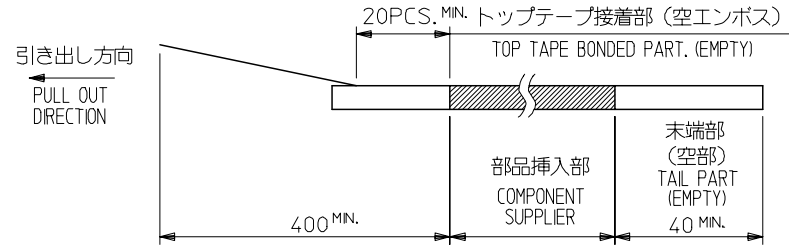
引き出し方向
PULL OUT DIRECTION



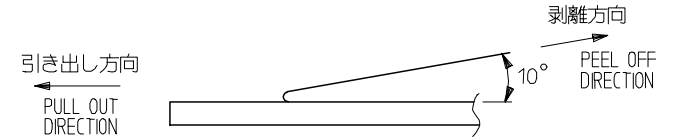
DETAIL "Z"

NOTES

- 製品詳細寸法については図面 SD-51296-007 を参照下さい。
RE DETAILED DIMENSION, SEE SD-51296-007
- 梱包数量：3000個/リール
NUMBER OF CONNECTORS : 3000PCS/REEL
- リードテープ長さ LEAD TAPE LENGTH



- トップテープの剥離強度：0.1N ~ 1.3N(10gf ~ 130gf)
(剥離方向は下図参照)
尚、本規格値は出荷時に適用。(但し、輸送時に剥離が発生しないこと。)
PEELING OFF FORCE OF TOP TAPE : 0.1N ~ 1.3N(10gf ~ 130gf)
(PEELING DIRECTION AS SHOWN IN FOLLOWING FIG.)
THIS REQUIREMENT SHOULD BE APPLIED AT SHIPMENT.
PEEL OFF SHOULD NOT BE ALLOWED , DURING TRANSPORTATION.



- 材料(MATERIAL)
キャリアテープ(CARRIER TAPE) : ポリプロピレン(POLYPROPYLENE)
トップテープ (TOPTAPE) : PET, PE, PEF
リール(REEL): ポリスチレン (PS) <リサイクル材を含む>
POLYSTYRENE (PS) <RECYCLE MATERIAL CONTAINED>
- 本製品は、51296-**92 の鉛フリー製品である。
THIS PRODUCT IS LEAD FREE OF 51296-**92.

REVISED EC NO: J2005-1696 DRWN:KONURAKA 2004/12/08 CHKD: 2004/12/08 APPR:HIRATA 2004/12/14	GENERAL TOLERANCES (UNLESS SPECIFIED)		DIMENSION STYLE MM ONLY		SCALE ---	51296-**93 DESIGN UNITS METRIC	MODEL NO. THIRD ANGLE PROJECTION
	10 UNDER	± ---	DRAWN BY K.MURAKAMI	DATE 2004/02/06	TITLE 0.5 FPC CONN EASY ON HGT=1.3MM EMBSTP PKG -LEAD FREE-		
	10 OVER 30 UNDER	± ---	CHECKED BY S.AIHARA	DATE 2004/02/06	MOLEX INCORPORATED		
	30 OVER	± ---	APPROVED BY M.SASAO	DATE 2004/02/06	DOCUMENT NO. SD-51296-008		
	ANGULAR ± --- °	MATERIAL NO. SEE CHART		SHEET NO. 1 OF 3			
	DRAFT WHERE APPLICABLE MUST REMAIN WITHIN DIMENSIONS		SIZE A3		THIS DRAWING CONTAINS INFORMATION THAT IS PROPRIETARY TO MOLEX INCORPORATED AND SHOULD NOT BE USED WITHOUT WRITTEN PERMISSION		

10 9 8 7 6 5 4 3 2 1

F

E

D

C

B

A

F

E

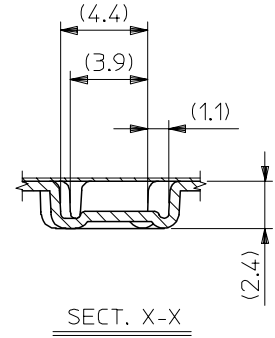
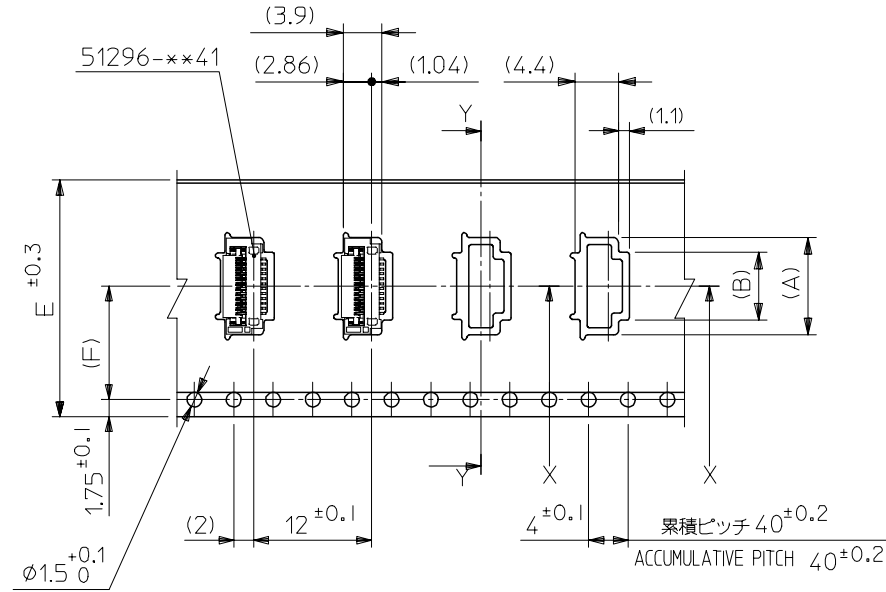
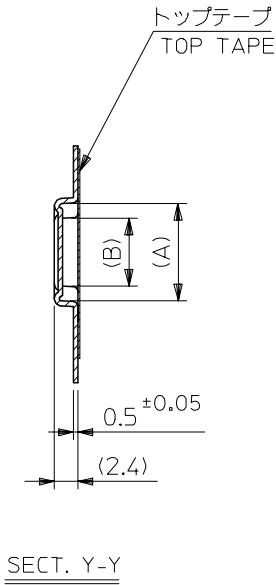
D

C

B

A

引き出し方向
PULL OUT DIRECTION



11.5	24	25.4	29.4	9.89	12.9	51296-1893	18
				7.89	10.9	51296-1493	14
				6.89	9.9	51296-1293	12
7.5	16	17.4	21.4	4.89	7.9	51296-0893	8
(F)	E	D	C	(B)	(A)	製品番号 MATERIAL No	極数 Ckt

REVISED EC NO: J2005-1696 DRAWN: KOMURAKA 2004/12/08 CHKD: 2004/12/08 APPR: HIRATA 2004/12/14	GENERAL TOLERANCES (UNLESS SPECIFIED)		DIMENSION STYLE MM ONLY		SCALE ---	DESIGN UNITS METRIC	THIRD ANGLE PROJECTION
	10 UNDER	± ---	DRAWN BY DATE K.MURAKAMI 2004/02/06		TITLE 0.5 FPC CONN EASY ON HGT=1.3MM EMBSTP PKG -LEAD FREE-		
	10 OVER 30 UNDER	± ---	CHECKED BY DATE S.AIHARA 2004/02/06		MOLEX INCORPORATED		
	30 OVER	± ---	APPROVED BY DATE M.SASAO 2004/02/06		DOCUMENT NO. SD-51296-008	SHEET NO. 2 OF 3	
	ANGULAR ± --- °	DRAFT WHERE APPLICABLE MUST REMAIN WITHIN DIMENSIONS		SEE CHART			
		THIS DRAWING CONTAINS INFORMATION THAT IS PROPRIETARY TO MOLEX INCORPORATED AND SHOULD NOT BE USED WITHOUT WRITTEN PERMISSION					

9

8

7

6

5

4

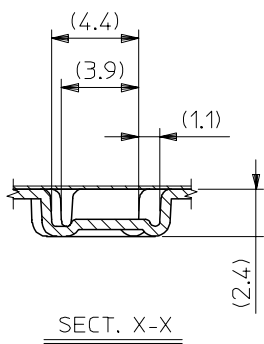
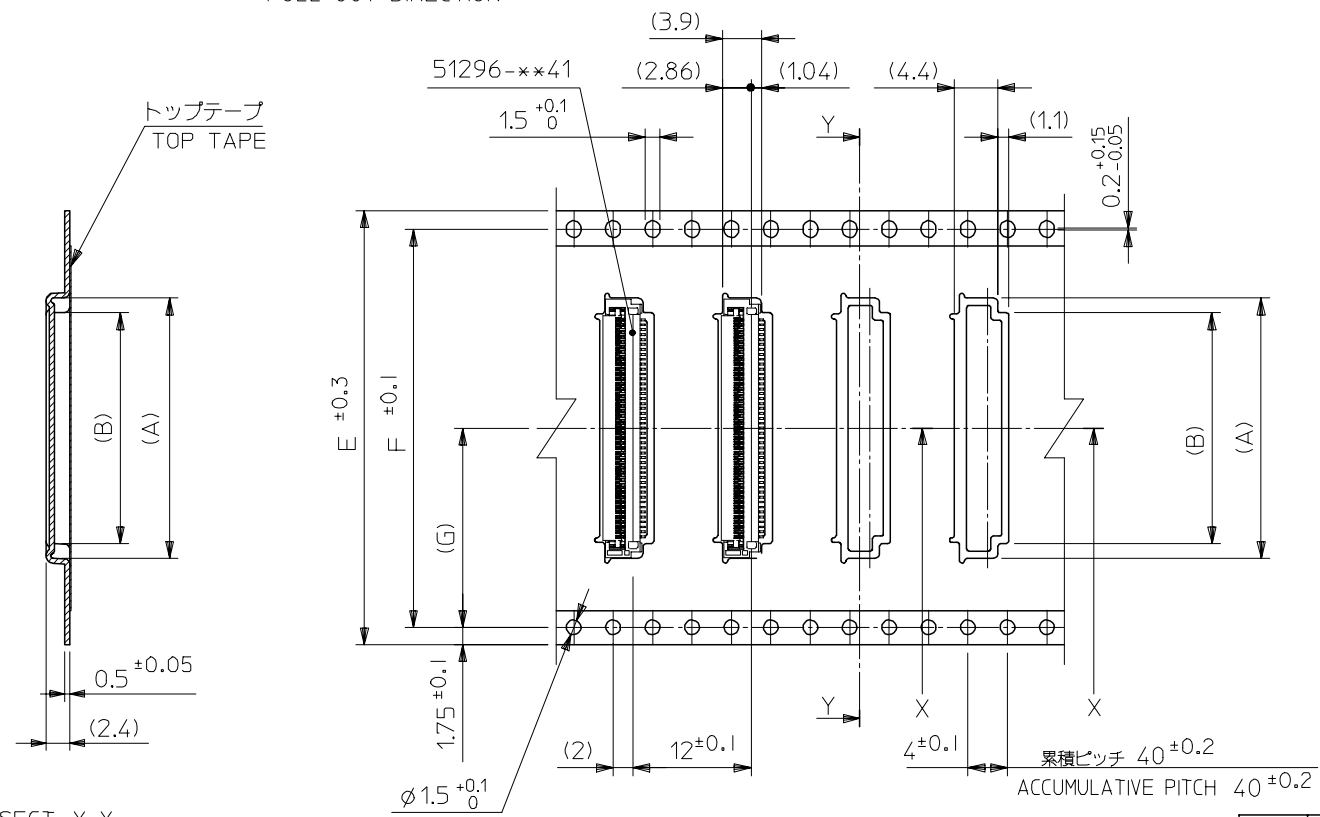
3

2

10 9 8 7 6 5 4 3 2 1

F
E
D
C
B
A

引き出し方向
PULL OUT DIRECTION



SECT. Y-Y

26.2	52.4	56	57.4	61.4	30.89	33.9	51296-6093	60
					25.89	28.9	51296-5093	50
20.2	40.4	44	45.4	49.4	23.39	26.4	51296-4593	45
					20.89	23.9	51296-4093	40
14.2	28.4	32	33.4	37.4	17.89	20.9	51296-3493	34
(G)	F	E	D	C	(B)	(A)	製品番号 MATERIAL No	極数 Ckt

REVISED EC NO: J2005-1696 DRAWN: KOMURAKA 2004/12/08 CHKD: 2004/12/08 APPR: HIRATA 2004/12/14	GENERAL TOLERANCES (UNLESS SPECIFIED)		DIMENSION STYLE MM ONLY		SCALE ---	DESIGN UNITS METRIC	THIRD ANGLE PROJECTION	
	10 UNDER	± ---	DRAWN BY K.MURAKAMI		DATE 2004/02/06		TITLE 0.5 FPC CONN EASY ON HGT=1.3MM EMBSTP PKG -LEAD FREE-	
	10 OVER 30 UNDER	± ---	CHECKED BY S.AIHARA		DATE 2004/02/06		MOLEX INCORPORATED	
	30 OVER	± ---	APPROVED BY M.SASAO		DATE 2004/02/06		DOCUMENT NO. SD-51296-008	
	ANGULAR	± --- °	MATERIAL NO.		SEE CHART		SHEET NO. 3 OF 3	
DRAFT WHERE APPLICABLE MUST REMAIN WITHIN DIMENSIONS			SIZE A3		THIS DRAWING CONTAINS INFORMATION THAT IS PROPRIETARY TO MOLEX INCORPORATED AND SHOULD NOT BE USED WITHOUT WRITTEN PERMISSION			

9 8 7 6 5 4 3 2 EN-02JA(021)