

ATM25.6 MBPS FILTER MODULE

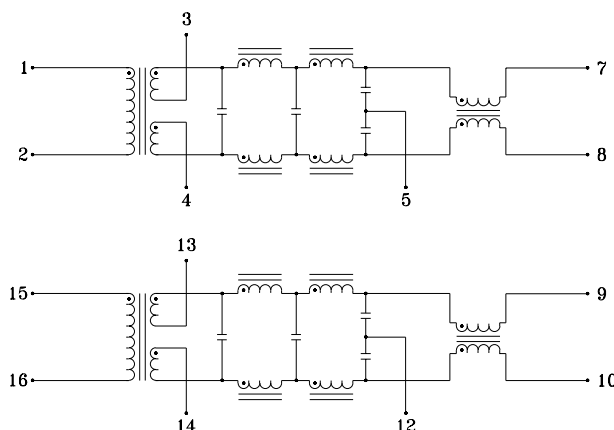
960015A

- Designed to meet ATM 25.6 PHY specifications including low frequency cutoff parameter. Can also be used in Token Ring Switch applications.
- Compatible with Texas Instruments (380C30/C60), IDT (77105) and Transwitch (ALI-25T) PHY transceivers
- For use with either 150 ohm (STP) or 100 ohm (UTP) cable
- Low profile, surface mount packaging rated to 225°C peak IR reflow temperature

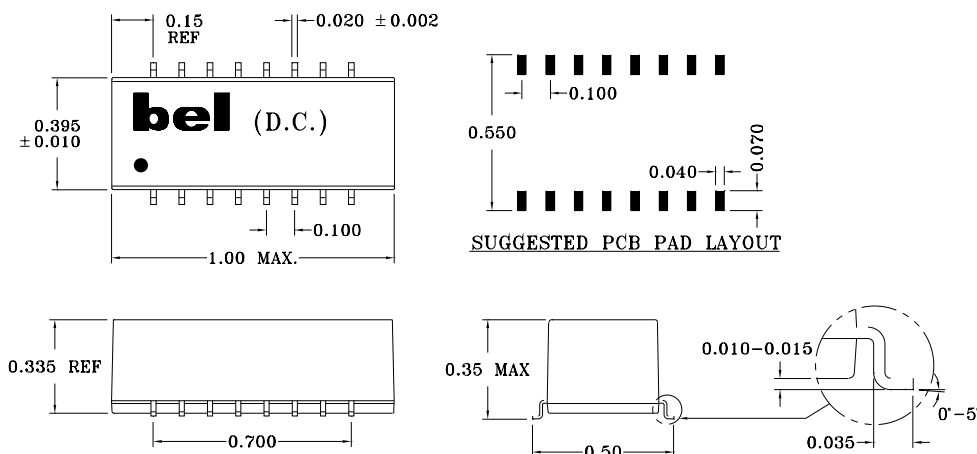
ELECTRICALS AT 25°C

Part No.	Insertion Loss (dB) Max				Return Loss (dB) Min		Common to Common Mode Rej (dB) Min			Crosstalk (dB) Min		
	4MHz	16MHz	24MHz	36MHz	1MHz-17MHz	17MHz-25MHz	5MHz	20MHz	200MHz	5MHz	16MHz	24MHz
S556-2006-32	-0.6	-1.0	-1.8	-10	-16	-9	-30	-30	-20	-50	-50	-45

SCHEMATIC



MECHANICAL



Specifications subject to change without notice.

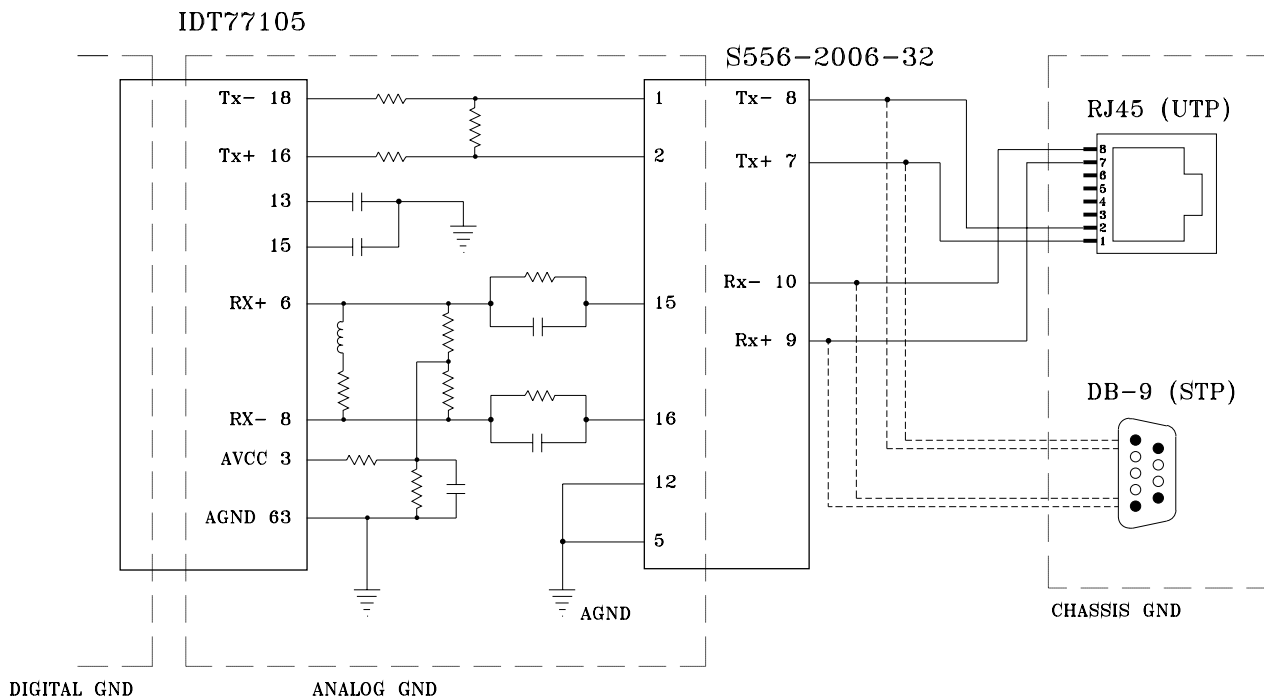


defining a degree of excellence

ATM 25.6 MBPS FILTER MODULE

960015A

APPLICATION CIRCUIT



APPLICATION NOTES

- The S556-2006-32 can also be used in Token Ring switch applications where the transmit and receive channels can be swapped. For this reason, filtering is implemented on both channels and after the transformer.
- The Bel S556-2006-32 is designed for use with a variety of ATM 25.6 PHY transceivers, such as Texas Instruments 380C30 and C60, IDT 77105 and Transwitch ALI-25T. This Bel design incorporates both transmit and receive filtering, impedance matching and EMI common mode noise suppression. The S556-2006-32 impedance matching network allows for utilization in either 100 ohm UTP or 150 ohm STP cable systems.
- Bel's low profile, surface mount packaging is ideal for high speed pick and place machinery. Parts can be shipped on tape and reel for high speed placement. Construction processes have been implemented for thermal compatibility with high temperature IR reflow assembly processing. Post dipping of leads assist with PC board solderability. Each part is optically inspected to meet rigid coplanarity requirements.
- Bel's design may also be used in certain 4/16 Mbps Token Ring applications. Consult factory for further information.

Corporate Office

Bel Fuse Inc.
198 Van Vorst Street, Jersey City, NJ 07302-4496
Tel: 201-432-0463
Fax: 201-432-9542
E-Mail: Belfuse@belfuse.com
Internet: <http://www.belfuse.com>

Far East Office

Bel Fuse Ltd.
8F/8 Luk Hop Street
San Po Kong
Kowloon, Hong Kong
Tel: 852-2328-5515
Fax: 852-2352-3706

European Office

Bel Fuse Europe Ltd.
Preston Technology Management Centre
Marsh Lane, Preston PR1 8UD
Lancashire, U.K.
Tel: 44-1772-556601
Fax: 44-1772-888366