

Octal E1 Analog Front End

Features

- Octal E1 Line Interface Unit Compliant with G.703
- Very Low Power <100mW per Channel
- Single Supply 3.3 V Operation, 5 V Tolerant I/O
- No External Component Changes for 120 Ω/75 Ω Operation
- Analog LOS Detection per ITU G.775
- Transmitter Short Circuit Current Limiter (<50mA)
- TX Drivers with Fast Tristate and Power Down
- Transmit Return Loss Exceeds ETS 300 166
- JTAG Boundary Scan compliant to IEEE 1149.1
- 144 Pin LQFP or 160 BGA Package

Description

The CS61881 contains eight analog front ends that each provide the line interface for E1 transmission systems. The device contains eight receivers and transmitters supporting a 2.048 Mbps data rate compliant to ITU G.703. This device is commonly used with external circuitry that supplies data encoding/decoding, clock recovery, and jitter attenuation.

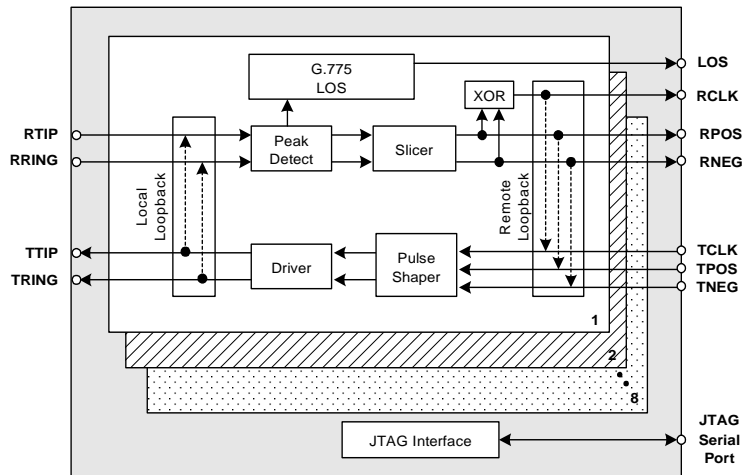
The CS61881 makes use of ultra low power matched impedance transmitters to reduce power beyond that achieved by traditional driver designs. By achieving a more precise line match, this technique also provides superior return loss characteristics, exceeding ETS 300 166. The internal line matching circuitry reduces the external component count and eliminates the need to change components to support both 75 Ω and 120 Ω lines. All transmitters have controls for independent power down and tristate.

The receiver has a high noise margin, providing reliable data recovery even with cable attenuation of over 12 dB. It has an impedance matched front end, eliminating the need to change components to support both 75 Ω and 120 Ω line impedances. The receiver also incorporates LOS detection compliant to the most recent specifications.

A five wire JTAG interface is also provided for improved diagnostics and reduced manufacturing cost.

ORDERING INFORMATION

CS61881-IQ	144-pin LQFP
CS61881-IB	160-pin BGA



Preliminary Product Information

This document contains information for a new product. Cirrus Logic reserves the right to modify this product without notice.

TABLE OF CONTENTS

1. CHARACTERISTICS AND SPECIFICATIONS	4
ABSOLUTE MAXIMUM RATINGS	4
RECOMMENDED OPERATING CONDITIONS	4
DIGITAL CHARACTERISTICS	5
ANALOG SPECIFICATIONS	6
SWITCHING CHARACTERISTICS	7
2. THEORY OF OPERATION	9
2.1 Transmitter	9
2.2 Receiver	9
2.3 Loss-of-Signal Detector	10
2.4 Loopback	10
2.4.1 Local Loopback	10
2.4.2 Remote Loopback	10
2.5 5V Logic Support	10
2.6 JTAG Support	10
2.6.1 TAP Controller	10
2.6.2 Test-Logic-Reset	12
2.6.3 Run-Test-Idle	12
2.6.4 Select-DR-Scan	12
2.6.5 Capture-DR	12
2.6.6 Shift-DR	12
2.6.7 Exit1-DR	12
2.6.8 Pause-DR	12
2.6.9 Exit2-DR	12
2.6.10 Update-DR	12
2.6.11 Select-IR-Scan	12
2.6.12 Capture-IR	12
2.6.13 Shift-IR	12
2.6.14 Exit1-IR	12
2.6.15 Pause-IR	12
2.6.16 Exit2-IR	12
2.6.17 Update-IR	12
2.7 JTAG Instruction Register (IR)	13
2.7.1 EXTEST	13
2.7.2 SAMPLE/PRELOAD	13
2.7.3 IDCODE	13
2.7.4 BYPASS	13
2.8 Boundary Scan Register (BSR)	13

Contacting Cirrus Logic Support

For a complete listing of Direct Sales, Distributor, and Sales Representative contacts, visit the Cirrus Logic web site at: <http://www.cirrus.com/corporate/contacts/>

Preliminary product information describes products which are in production, but for which full characterization data is not yet available. Advance product information describes products which are in development and subject to development changes. Cirrus Logic, Inc. has made best efforts to ensure that the information contained in this document is accurate and reliable. However, the information is subject to change without notice and is provided "AS IS" without warranty of any kind (express or implied). No responsibility is assumed by Cirrus Logic, Inc. for the use of this information, nor for infringements of patents or other rights of third parties. This document is the property of Cirrus Logic, Inc. and implies no license under patents, copyrights, trademarks, or trade secrets. No part of this publication may be copied, reproduced, stored in a retrieval system, or transmitted, in any form or by any means (electronic, mechanical, photographic, or otherwise) without the prior written consent of Cirrus Logic, Inc. Items from any Cirrus Logic website or disk may be printed for use by the user. However, no part of the printout or electronic files may be copied, reproduced, stored in a retrieval system, or transmitted, in any form or by any means (electronic, mechanical, photographic, or otherwise) without the prior written consent of Cirrus Logic, Inc. Furthermore, no part of this publication may be used as a basis for manufacture or sale of any items without the prior written consent of Cirrus Logic, Inc. The names of products of Cirrus Logic, Inc. or other vendors and suppliers appearing in this document may be trademarks or service marks of their respective owners which may be registered in some jurisdictions. A list of Cirrus Logic, Inc. trademarks and service marks can be found at <http://www.cirrus.com>.

3. PIN DESCRIPTION	15
3.1 Pinout - 144-Pin LQFP	15
3.2 Pinout - 160-Pin FBGA	16
3.3 Pin Descriptions	17
4. PACKAGE DIMENSIONS	24
5. APPLICATIONS	26

LIST OF FIGURES

Figure 1. Signal Rise and Fall Characteristics	8
Figure 2. Recovered Clock and Data Switching Characteristics	8
Figure 3. Transmit Clock and Data Switching Characteristics	8
Figure 4. Mask of the Pulse at the 2048 kbps Interface	9
Figure 5. Test Access Port Architecture	11
Figure 6. TAP Controller State Diagram	11
Figure 7. 144-Pin LQFP Pin Description Drawing	15
Figure 8. 160-Pin FBGA Pin Description Drawing	16
Figure 9. Internal RX Impedance Matching	26
Figure 10. External RX Impedance Matching	27

LIST OF TABLES

Table 1. JTAG Instructions.....	13
Table 2. Boundary Scan Register	14

1. CHARACTERISTICS AND SPECIFICATIONS

ABSOLUTE MAXIMUM RATINGS WARNING: Operations at or beyond these limits may result in permanent damage to the device. Normal operation is not guaranteed at these extremes

Parameter	Symbol	Min	Max	Units
DC Supply (referenced to RGND=TGND=0 V)	RVCC	-	4.0	V
	TVCC	-	(RVCC) + 0.3	V
DC Supply	VCCIO	-0.5	4.6	V
Input Voltage, Any Digital Pin	V_{in}	GNDIO-0.5	5.8	V
Input Voltage, Any Three Level Pin (LOOPn, CBLSEL)	V_{in}	GNDIO-0.5	VCCIO+0.5	V
Input Voltage, RTIP & RRING	V_{in}	RGND-0.5	(RVCC)+ 0.5	V
Input Current, Any Pin (Note 1)	I_{in}	-10	10	μ A
Ambient Operating Temperature	T_A	-40	85	$^{\circ}$ C
Storage Temperature	T_{stg}	-65	150	$^{\circ}$ C

1. Transient currents of up to 100 mA will not cause SCR latch-up. Also TTIP, TRING, TVCC and TGND can withstand a continuous current of 100 mA.

RECOMMENDED OPERATING CONDITIONS

Parameter	Symbol	Min	Typ	Max	Units
DC Supply (Note 2)	RVCC, TVCC	3.135	3.3	3.465	V
DC Supply	VCCIO	3.135	3.3	3.465	V
Ambient Operating Temperature	T_A	-40	25	85	$^{\circ}$ C
Power Consumption, 75 Ω Mode (Notes 3,4,5)	P_C	-	TBD	112	mW
Power Consumption, 120 Ω Mode (Notes 3,4,5)	P_C	-	TBD	99	mW

- Notes:
2. TVCC must not exceed RVCC by more than 0.3 V.
 3. Power consumption while driving line load over operating temperature range. Includes IC and load. Digital input levels are within 10% of the supply rails and digital outputs are driving a 50 pF capacitive load.
 4. Typical consumption corresponds to 50% ones density and medium line length at 3.3V.
 5. Maximum consumption corresponds to 100% ones density and maximum line length at 3.465V.

DIGITAL CHARACTERISTICS (TA = -40°C to 85°C; TVCC, RVCC = 3.3 V ±5%; GND = 0 V)

Parameter	Symbol	Min	Typ	Max	Units
High-Level Input Voltage, Any Digital Pin (Note 6)	V _{IH}	2.0	-	-	V
Low-Level Input Voltage, Any Digital Pin (Note 6)	V _{IL}	-	-	0.8	V
Low-Level Input Voltage, Any Three Level Pin (LOOPn, CBLSEL) (Note 6)	V _{IHL}	-	-	1/3 VCCIO-0.2	V
Mid-Level Input Voltage, Any Three Level Pin (LOOPn, CBLSEL) (Note 6)	V _{IHM}	1/3 VCCIO+0.2	0.5VCCIO	2/3 VCCIO-0.2	V
High-Level Input Voltage, Any Three Level Pin (LOOPn, CBLSEL) (Note 6)	V _{IHH}	2/3 VCCIO+0.2	-	-	V
High-Level Output Voltage (Notes 6, 7) I _{OUT} = -400 μA	V _{OH}	2.4	-	-	V
Low-Level Output Voltage (Notes 6, 7) I _{OUT} = 1.6 mA	V _{OL}	-	-	0.4	V
Input Leakage Current		-	-	±10	μA

Notes: 6. This specification guarantees TTL compatibility (V_{OH} = 2.4 V @ I_{OUT} = -400 μA).

7. Output drivers are TTL compatible.

ANALOG SPECIFICATIONS (TA = -40°C to 85°C; TVCC, RVCC = 3.3V ±5%; GND = 0 V)

Parameter	Min	Typ	Max	Units	
Transmitter					
Output Pulse Amplitudes	75Ω (Note 8) 120Ω (Note 9)	2.14 2.7	2.37 3.0	2.6 3.3	V V
Positive to Negative Pulse Imbalance	(Notes 8, 9, 11)	-	-	5	%
Amplitude at center of pulse		-5	-	5	%
Width at 50% of nominal amplitude		-5	-	5	%
Transmit Return Loss - 75Ω Coaxial	(Note 11,12)				dB
51kHz to 102kHz	17	-	-	-	
102kHz to 2048kHz	17	-	-	-	
2048kHz to 3072kHz	17	-	-	-	
Transmit Return Loss - 120Ω Twisted Pair	(Note 11,12)				dB
51kHz to 102kHz	17	-	-	-	
102kHz to 2048kHz	17	-	-	-	
2048kHz to 3072kHz	17	-	-	-	
Transmitter Short Circuit Current	(Notes 11)	-	-	50	mA RMS
Transmit Intrinsic Jitter; 20Hz to 100kHz	(Notes 10,11)	-	TBD	TBD	UI
Receiver					
RTIP/RRING Input Impedance	120Ω Load, CBLSEL open 75Ω Load, CBLSEL High or Low	-	40k 40k	-	Ω
Receiver Dynamic Range		0.5	-	-	Vp
Signal to Noise margin (Per G.703, O.151 @ 6dB cable Atten.)		18	-	-	dB
Receiver Squelch Level			150		mV
LOS Threshold		-	200	-	mV
LOS Hysteresis			50		mV
Data Decision Threshold		43	50	57	% of peak
Input Return Loss	(Notes 11, 12)				dB
20kHz to 51kHz	20	-	-	-	dB
51 kHz - 102 kHz	20	-	-	-	dB
102 kHz - 2048 kHz	20	-	-	-	dB
2048 kHz - 3072 kHz	14	-	-	-	dB
LOS occurrence to ALOS asserted delay			30		μS
LOS Reset		10	-	255	Marks

- Notes: 8. Pulse amplitude measured at the output of the transformer across a 75 Ω load.
9. Pulse amplitude measured at the output of the transformer across a 120 Ω load.
10. Assuming that jitter free clock is input to TCLK.
11. Not production tested. Parameters guaranteed by design and characterization.
12. Using components in CDB61881 evaluation board

SWITCHING CHARACTERISTICS (TA = -40°C to 85°C; TVCC, RVCC = 3.3 V ±5%;
 GND = 0 V; Inputs: Logic 0 = 0 V, Logic 1 = RVCC; See Figures 1, 2, & 3)

Parameter	Symbol	Min	Typ	Max	Units
TCLK Frequency			2.048		MHz
Transmit Pulse Width (NRZ Mode)		219	244	269	nS
TCLK Duty Cycle (NRZ Mode)	t_{TCH}/t_{TCPW}	10	-	90	%
TPOS/TNEG to TCLK Falling Setup Time (NRZ Mode)	t_{su2}	25	-	-	ns
TCLK Falling to TPOS/TNEG Hold Time (NRZ Mode)	t_{h2}	25	-	-	ns
TCLK Pulse Width (RZ Mode)		236		252	nS
TXOE Asserted Low to TX Driver Hi-Z		-	-	1	μS
TCLK Held Low to Driver Hi-Z		8		15	μS
Rise Time, All Digital Outputs (Note 13)	t_r	-	-	85	ns
Fall Time, All Digital Outputs (Note 13)	t_f	-	-	85	ns
RPOS/RNEG Pulse Width	t_{RPW}	200	244	300	ns
RRTIP/RRING input to RPOS/RNEG output	t_{RXD}	-	85	-	ns
RPOS/RNEG Output to RCLK Output		-	-	5	ns

Notes: 13. Output load capacitance = 50 pF.

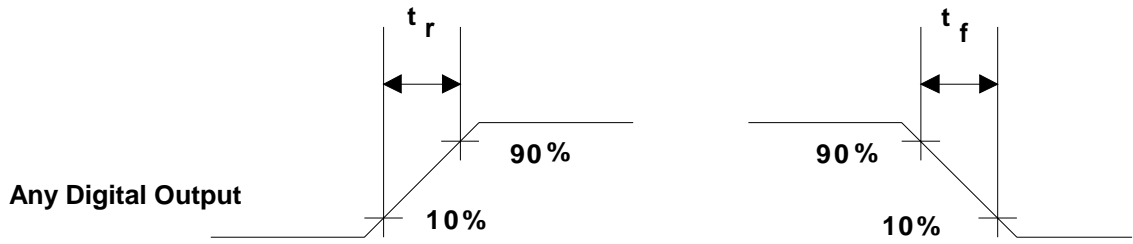


Figure 1. Signal Rise and Fall Characteristics

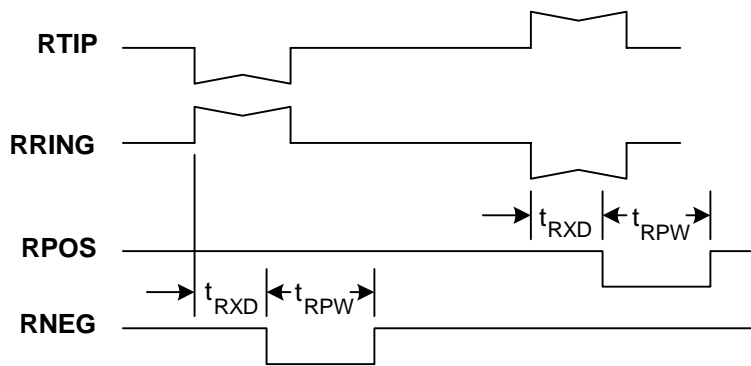


Figure 2. Recovered Clock and Data Switching Characteristics

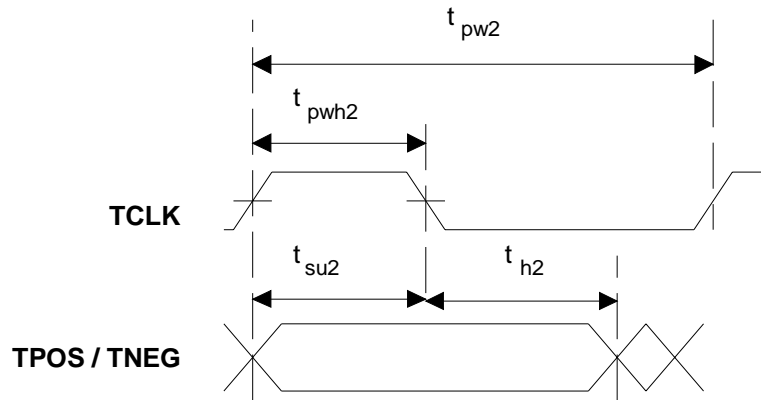


Figure 3. Transmit Clock and Data Switching Characteristics

2. THEORY OF OPERATION

The CS61881 is designed to provide the analog front end (AFE) for up to eight E1 lines. The device provides an interface to twisted pair or co-axial media. A patented matched impedance technique is employed that reduces power and eliminates the need for matching resistors. As a result, the device can interface directly to the line through a transformer without the need for matching resistors on either the receive side or the transmit side.

2.1 Transmitter

The CS61881 contains eight identical transmitters that each use a low power matched impedance driver to eliminate the need for external load matching resistors. As a result, the TTIP/TRING outputs can be direct connected to the pulse transformer allowing one hardware circuit for both 120 Ω and 75 Ω applications (see the *Applications* section). In addition, the matched impedance driver provides improved return loss when compared to solutions with external matching resistors. The appropriate line matching is selected via the CBLSEL control pin.

The line drivers transmit data received in either NRZ or RZ format depending on the state of TCLK. When TCLK is driven with an external clock, NRZ data sampled on TPOS/TNEG will be transmitted onto the line via TTIP/TRING. In this mode, a transmit pulse shape compliant to G.703 will be generated internally (see Figure 4). Data on TPOS/TNEG is sampled on the falling edge of TCLK.

If TCLK is held high for at least 12 μ S, RZ data driven into TPOS/TNEG is transmitted on TTIP/TRING. In this mode, the width of positive pulses is controlled by the width of the pulses on TPOS and the width of negative pulses is controlled by the width of the pulses on TNEG.

The transmitter can be forced into a high impedance, low power state by holding TCLK low. Alternately,

the TXOE pin can be used to force all eight transmitters into a high impedance state. This feature is useful in applications that require redundancy.

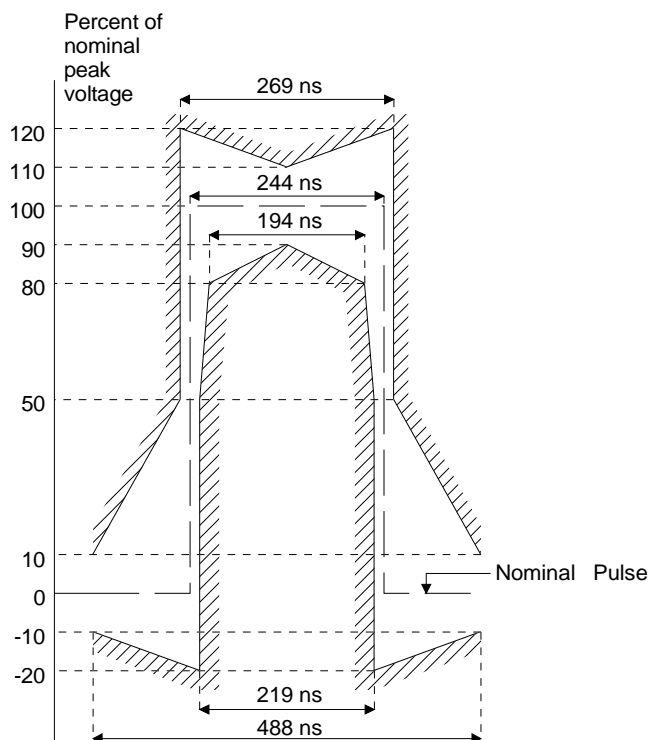


Figure 4. Mask of the Pulse at the 2048 kbps Interface

2.2 Receiver

The CS61881 contains eight identical receivers that each use a matched impedance technique that allows a common set of external components for both 120 Ω and 75 Ω operation. This allows one stuffing option to accommodate both line impedances. The appropriate line matching is set via the CBLSEL pin.

The receiver slices the incoming signal on RTIP/RING and outputs the recovered data on RPOS/RNEG. To maximize the signal-to-noise ratio, the slicing threshold is dynamically adjusted based on the amplitude of the incoming signal. In the absence of a signal, a minimum threshold is maintained to reduce the occurrence of impulse noise. The receiver is capable of recovering signals with over 12 dB of attenuation (referenced to 2.37 V nominal).

For added flexibility the receive polarity select pin (RPS) is provided to define whether RPOS/RNEG have active high or low polarity. In addition, a receiver power down pin ($\overline{\text{RPD}}$) is provided that powers down all receivers and places RPOS, RNEG, and RCLK into a high impedance state. Finally, to support applications that employ external clock recovery, signals on RPOS and RNEG are XORed and output on RCLK.

2.3 Loss-of-Signal Detector

Each receiver in the CS61881 has an analog loss-of-signal (LOS) detector for ITU-G.775. An analog LOS condition will be signaled on ALOS when the input signal is less than 200 mV for 30 μS (Typ). The LOS condition is cleared once the signal amplitude exceeds 250 mV. The ALOS signal will occur between 10 and 255 bits as specified by ITU G.775.

Notes: During LOS the RPOS/RNEG outputs will be active.

2.4 Loopback

The CS61881 provides two loopback modes for each port. The LOOP pins are used to activate or disable each port's loopback operation. When the LOOP pins are left open, loopback operation is disabled. When a LOOP pin is tied either High or Low, Local or Remote loopback is enabled respectively.

2.4.1 Local Loopback

Local loopback is selected by driving LOOP High. In this mode the data being transmitted on TTIP/TRING is internally connected to the receiver, and the RTIP/RRING inputs are disconnected.

2.4.2 Remote Loopback

Remote Loopback is selected by driving LOOP Low. In remote loopback, the RPOS/RNEG and RCLK outputs are internally input to the transmit circuits for output on TTIP/TRING. In this mode the TCLK, TPOS, and TNEG inputs are ignored.

2.5 5V Logic Support

The CS61881 provides digital interface pins capable of interfacing with 5 V logic. The overall power consumption will still be minimized because the IC's core circuitry is powered by 3.3 V supplies.

2.6 JTAG Support

The CS61881 supports the IEEE Boundary Scan Specification as described in the IEEE 1149.1 standards. A Test Access Port (TAP) is provided that consists of the TAP controller, the boundary scan register (BSR), and the 5 standard pins (TRSTB, TCK, TMS, TDI, and TDO). A block diagram of the test access port is shown in Figure 5. The test clock input (TCK) is used to sample input data on TDI, and shift output data through TDO. The TMS input is used to step the TAP controller through its various states.

The Test Access Port consists of the Tap Controller, Instruction Register, by-pass register, device ID register, and boundary scan register. The TMS input is used to manipulate the TAP controller to allow loading of the instruction and data registers.

The instruction register is used to select test execution or register access. The by-pass register provides a direct connection between the TDI input and the TDO output. The device identification register contains an n-bit device identifier.

The Boundary Scan Register is used to support testing of IC inter-connectivity. Using the Boundary Scan Register, the digital input pins can be sampled and shifted out on TDO. In addition, this register can also be used to drive digital output pins to a user defined state.

2.6.1 TAP Controller

The TAP Controller is a 16 state synchronous state machine clocked by the rising edge of TCK. The TMS input governs state transitions as shown in Figure 6. The value shown next to each state transition in the diagram is the value that must be on TMS when it is sampled by the rising edge of TCK.

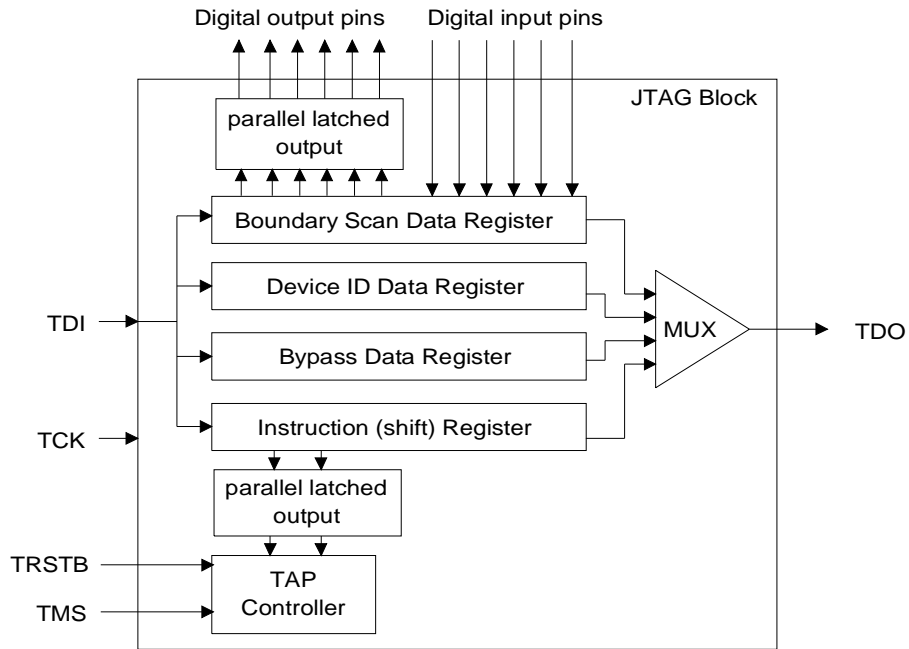


Figure 5. Test Access Port Architecture

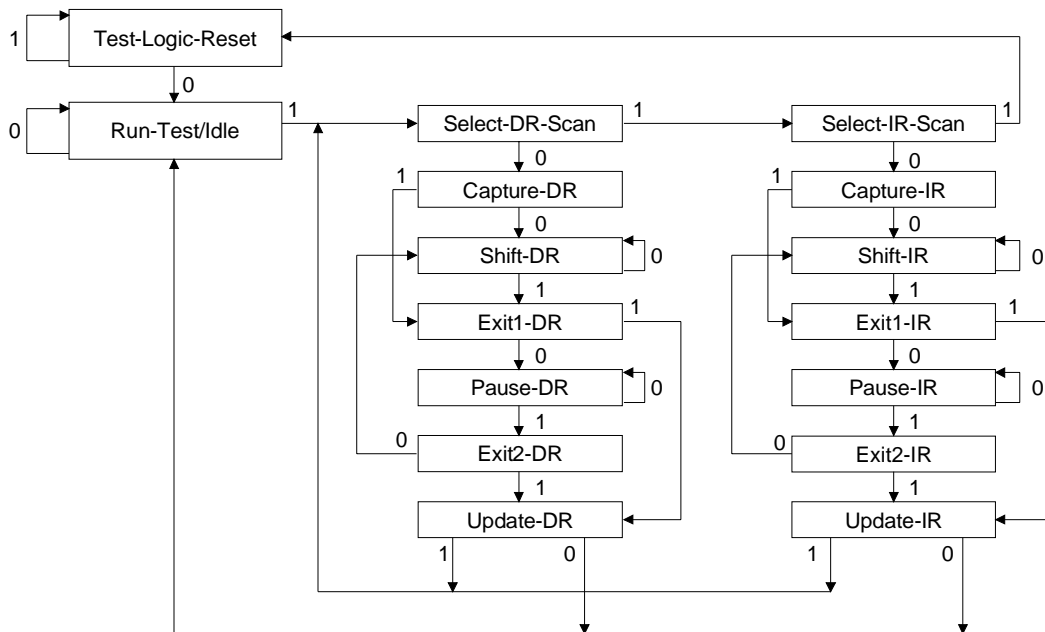


Figure 6. TAP Controller State Diagram

2.6.2 Test-Logic-Reset

The test-logic-reset state is used to disable the test logic when the part is in normal mode of operation. This state is entered by asynchronously asserting TRSTB or forcing TMS High for 5 TCK periods.

2.6.3 Run-Test-Idle

The run-test-idle state is used to run tests.

2.6.4 Select-DR-Scan

This is a temporary controller state.

2.6.5 Capture-DR

In this state, the Boundary Scan Register captures input pin data if the current instruction is EXTEST or SAMPLE/PRELOAD.

2.6.6 Shift-DR

In this controller state, the active test data register connected between TDI and TDO, as determined by the current instruction, shifts data out on TDO on each rising edge of TCK.

2.6.7 Exit1-DR

This is a temporary state. The test data register selected by the current instruction retains its previous value.

2.6.8 Pause-DR

The pause state allows the test controller to temporarily halt the shifting of data through the current test data register.

2.6.9 Exit2-DR

This is a temporary state. The test data register selected by the current instruction retains its previous value.

2.6.10 Update-DR

The Boundary Scan Register is provided with a latched parallel output to prevent changes while data is shifted in response to the EXTEST and SAMPLE/PRELOAD instructions. When the TAP

controller is in this state and the Boundary Scan Register is selected, data is latched into the parallel output of this register from the shift-register path on the falling edge of TCK. The data held at the latched parallel output changes only in this state.

2.6.11 Select-IR-Scan

This is a temporary controller state. The test data register selected by the current instruction retains its previous state.

2.6.12 Capture-IR

In this controller state, the instruction register is loaded with a fixed value of "01" on the rising edge of J-TCK. This supports fault-isolation of the board-level serial test data path.

2.6.13 Shift-IR

In this state, the shift register contained in the instruction register is connected between TDI and TDO and shifts data one stage towards its serial output on each rising edge of TCK.

2.6.14 Exit1-IR

This is a temporary state. The test data register selected by the current instruction retains its previous value.

2.6.15 Pause-IR

The pause state allows the test controller to temporarily halt the shifting of data through the instruction register.

2.6.16 Exit2-IR

This is a temporary state. The test data register selected by the current instruction retains its previous value.

2.6.17 Update-IR

The instruction shifted into the instruction register is latched into the parallel output from the shift-register path on the falling edge of J-TCK. When the new instruction has been latched, it becomes the

current instruction. The test data registers selected by the current instruction retain their previous value.

2.7 JTAG Instruction Register (IR)

The 2-bit instruction register selects the test to be performed and/or the data register to be accessed. The valid instructions are shifted in LSB first and are listed in Table 1.

IR CODE	INSTRUCTION
000	EXTEST
100	SAMPLE/PRELOAD
110	IDCODE
111	BYPASS

Table 1. JTAG Instructions

2.7.1 EXTEST

The EXTEST instruction allows testing of off-chip circuitry and board-level interconnect. EXTEST connects the BSR to the TDI and TDO pins. CS61881 inputs can be sampled by loading the BSR with the Capture DR state. The sample values can then be viewed by shifting the BSR register using the Shift-DR state. The device output pins can be set by shifting a pattern into the boundary scan register and then using the Update-DR state.

2.7.2 SAMPLE/PRELOAD

The SAMPLE/PRELOAD instruction samples all device inputs and outputs. This instruction places

the BSR between the TDI and TDO pins. The BSR is loaded with samples of the I/O pins by the Capture-DR state.

2.7.3 IDCODE

The IDCODE instruction connects the device identification register to the TDO pin. The device identification code can then be shifted out TDO using the Shift-DR state

2.7.4 BYPASS

The BYPASS instruction connects a one TCK delay register between TDI and TDO. The instruction is used to bypass the device.

2.8 Boundary Scan Register (BSR)

The BSR is a shift register that provides access to the digital I/O pins. The BSR is used to read and write the device pins to verify interchip connectivity. Each pin has a corresponding scan cell in the register. The pin to scan cell mapping is given in the BSR description shown in Table 2.

- Notes:
- 1) Data is shifted LSB first into the BSR register.
 - 2) HIZ controls the RPOSx, RNEGx, and RCLKx pins. When HIZ is High, the outputs are enabled; when HIZ is Low, the outputs are tri-stated.

BSR Bit	Pin Name	Cell Type	BSR Bit	Pin Name	Cell Type
0	LOOP0	I	43	RCLK5	O
1	LOOP1	I	44	RPOS5	O
2	LOOP2	I	45	RNEG5	O
3	LOOP3	I	46	$\overline{\text{HIZ5}}$	note 1
4	LOOP4	I	47	ALOS5	O
5	LOOP5	I	48	TCLK4	I
6	LOOP6	I	49	TPOS4	I
7	LOOP7	I	50	TNEG4	I
8	TCLK1	I	51	RCLK4	O
9	TPOS1	I	52	RPOS4	O
10	TNEG1	I	53	RNEG4	O
11	RCLK1	O	54	$\overline{\text{HIZ4}}$	note 1
12	RPOS1	O	55	ALOS4	O
13	RNEG1	O	56	TXOE	I
14	$\overline{\text{HIZ1}}$	note 1	57	RPS	I
15	ALOS1	O	58	ALOS7	O
16	TCLK0	I	59	RNEG7	O
17	TPOS0	I	60	RPOS7	O
18	TNEG0	I	61	RCLK7	O
19	RCLK0	O	62	$\overline{\text{HIZ7}}$	note 1
20	RPOS0	O	63	TNEG7	I
21	RNEG0	O	64	TPOS7	I
22	$\overline{\text{HIZ0}}$	note 1	65	TCLK7	I
23	ALOS0	O	66	ALOS6	O
24	ALOS3	O	67	RNEG6	O
25	RNEG3	O	68	RPOS6	O
26	RPOS3	O	69	RCLK6	O
27	RCLK3	O	70	$\overline{\text{HIZ6}}$	note 1
28	$\overline{\text{HIZ3}}$	note 1	71	TNEG6	I
29	TNEG3	I	72	TPOS6	I
30	TPOS3	I	73	TCLK6	I
31	TCLK3	I	74	CBLSEL	I
32	ALOS2	O			
33	RNEG2	O			
34	RPOS2	O			
35	RCLK2	O			
36	$\overline{\text{HIZ2}}$	note 1			
37	TNEG2	I			
38	TPOS2	I			
39	TCLK2	I			
40	TCLK5	I			
41	TPOS5	I			
42	TNEG5	I			

Table 2. Boundary Scan Register

3. PIN DESCRIPTION

3.1 Pinout - 144-Pin LQFP

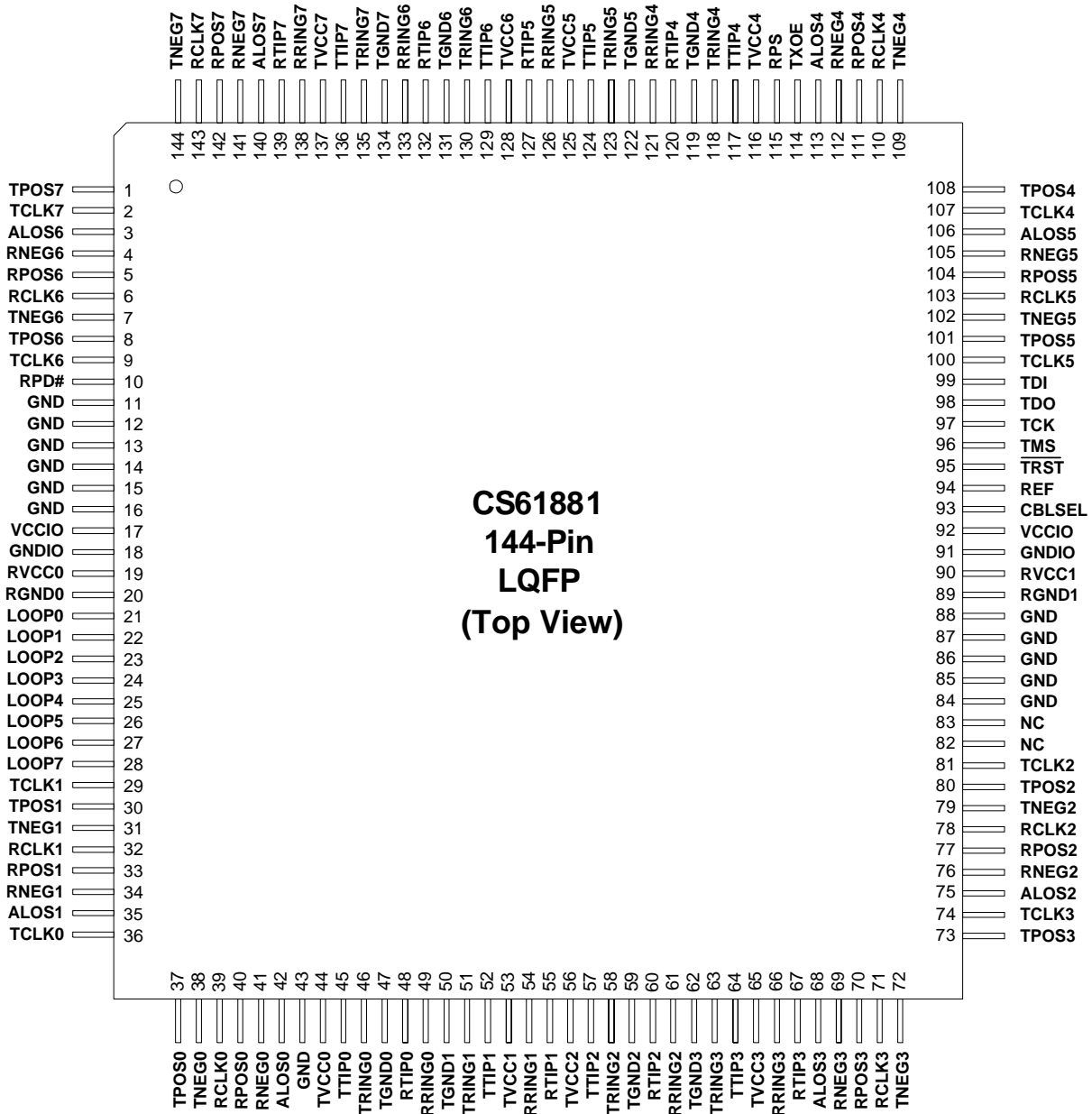


Figure 7. 144-Pin LQFP Pin Description Drawing

3.2 Pinout - 160-Pin FBGA

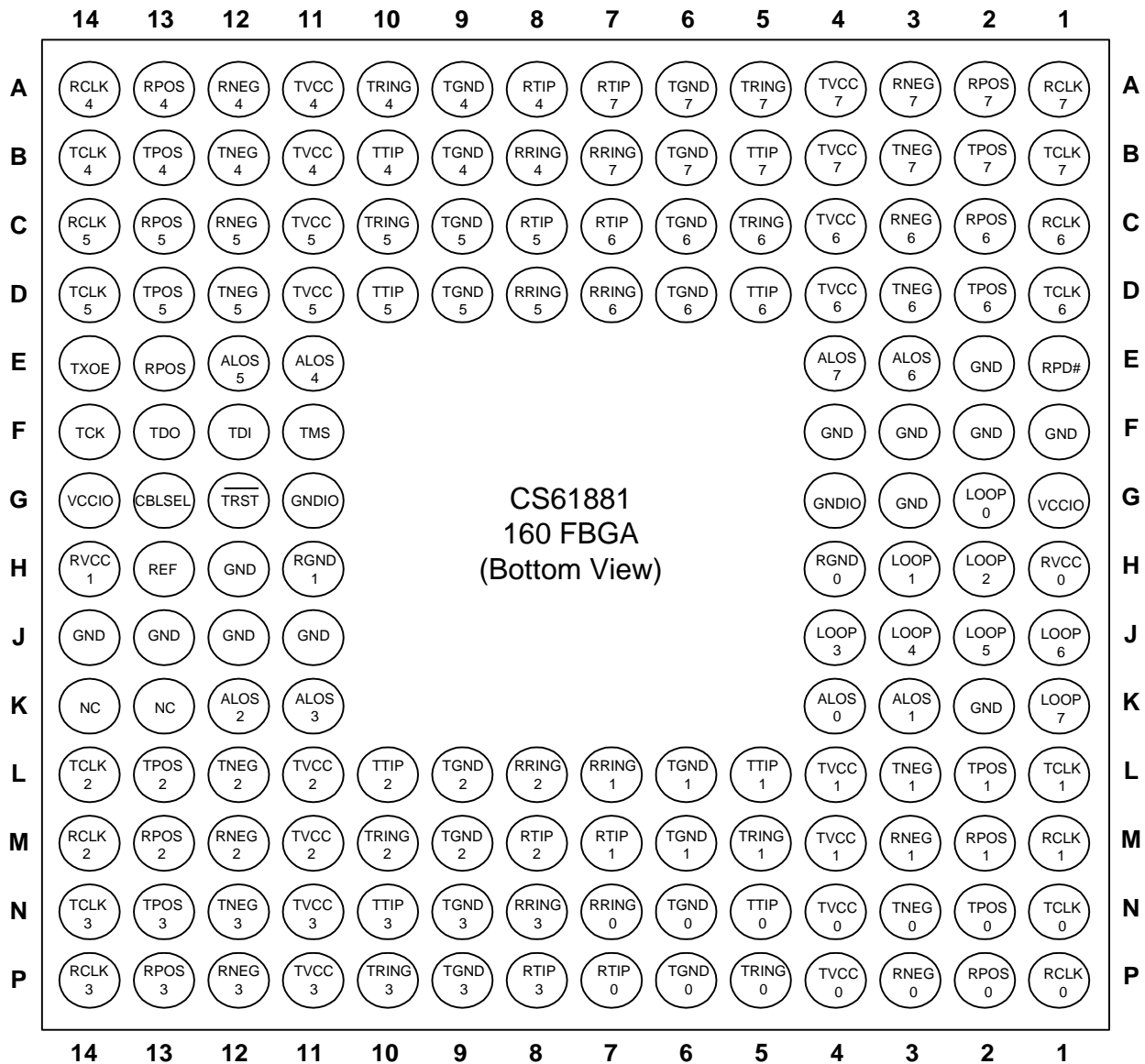


Figure 8. 160-Pin FBGA Pin Description Drawing

3.3 Pin Descriptions

Power Supplies

VCCIO - Power Supply, Digital Interface, LQFP Pins 17 & 92, BGA Pins G1 & G14.

Power supply for digital interface pins; typically +3.3 Volts.

GNDIO - Ground, Digital Interface, LQFP Pins 18 & 91. BGA Pins G4 & G11.

Power supply ground for the digital interface; typically 0 Volts.

RVCC0, RVCC1 - Power Supply, Core Circuitry, LQFP Pins 19 & 90. BGA Pins H1 & H14.

Power supply for all subcircuits except the transmit driver; typically +3.3 Volts

RGND0, RGND1 - Ground, Core Circuitry, LQFP Pins 20 & 89, BGA Pins H4 & H11.

Ground for subcircuits except the transmit driver; typically 0.0 Volts

TVCC0 - Power Supply, Transmit Driver 0, LQFP Pin 44, BGA Pins N4, P4.

Power supply for transmit driver 0; typically +3.3 Volts.

TGND0 - Ground, Transmit Driver 0, LQFP Pin 47, BGA Pins N6, P6.

Power supply ground for transmit driver 0; typically 0 Volts.

TVCC1 - Power Supply, Transmit Driver 1, LQFP Pin 53, BGA Pins L4, M4.

TGND1 - Ground, Transmit Driver 1, LQFP Pin 50, BGA Pins L6, M6.

TVCC2 - Power Supply, Transmit Driver 2, LQFP Pin 56, BGA Pins L11, M11.

TGND2 - Ground, Transmit Driver 2, LQFP Pin 59, BGA Pins L9, M9.

TVCC3 - Power Supply, Transmit Driver 3, LQFP Pin 65, BGA Pins N11, P11.

TGND3 - Ground, Transmit Driver 3, LQFP Pin 62, BGA Pins N9, P9.

TVCC4 - Power Supply, Transmit Driver 4, LQFP Pin 116, BGA Pins A11, B11.

TGND4 - Ground, Transmit Driver 4, LQFP Pin 119, BGA Pins A9, B9.

TVCC5 - Power Supply, Transmit Driver 5, LQFP Pin 125, BGA Pins C11, D11.

TGND5 - Ground, Transmit Driver 5, LQFP Pin 122, BGA Pins C9, D9.

TVCC6 - Power Supply, Transmit Driver 6, LQFP Pin 128, BGA Pins C4, D4.

TGND6 - Ground, Transmit Driver 6, LQFP Pin 131, BGA Pins C6, D6.

TVCC7 - Power Supply, Transmit Driver 7, LQFP Pin 137, BGA Pins A4, B4.

TGND7 - Ground, Transmit Driver 7, LQFP Pin 134, BGA Pins A6, B6.

GND - Ground, LQFP Pins 11-16, 43, 84-88, BGA Pins E2, F1-F4, G3, K2, J11-14, H12.

Connect these pins to ground to insure proper operation.

Control **$\overline{\text{RPD}}$ - Receiver Power Down, LQFP Pin 10, BGA Pin E1**

When $\overline{\text{RPD}}$ is Low, the complete receive path for all ports is powered down the output pins RPOS, RNEG and RCLK are switched to the high impedance state.

TXOE - Transmitter Output Enable, LQFP Pin 114, BGA Pin E14

When TXOE is asserted Low, all of the TX drivers are forced to a high impedance state in 1 μS (max). All other internal circuitry remains active.

RPS - Receiver Polarity Select, LQFP Pin 115, BGA Pin E13

This pin is used to set the polarity of RPOS/RNEG. When RPS is High, RPOS/RNEG has an active high output polarity. When RPS is low, RPOS/RNEG have an active Low polarity.

LOOP0 - Loopback Mode Select Port #0, LQFP Pin 21, BGA Pin G2

This pin selects the loopback mode for LIU transceiver 0. The mode is selected as follows:

No Loopback - LOOP0 is left open (unconnected)

Local Loopback - LOOP0 is tied High. In this mode, data transmitted on TTIP0 and TRING0 is looped back into port 0's receiver and output on RPOS0 and RNEG0. Data present on RTIP0 and RRING0 is ignored.

Remote Loopback - LOOP0 is tied Low. In this mode, data received on RTIP0 and RRING0 is looped back for retransmission on TTIP0 and TRING0. Data on TPOS0 and TNEG0 is ignored.

LOOP1 - Loopback Mode Select Port #1, LQFP Pin 22, BGA Pin H3**LOOP2 - Loopback Mode Select Port #2, LQFP Pin 23, BGA Pin H2****LOOP3 - Loopback Mode Select Port #3, LQFP Pin 24, BGA Pin J4****LOOP4 - Loopback Mode Select Port #4, LQFP Pin 25, BGA Pin J3****LOOP5 - Loopback Mode Select Port #5, LQFP Pin 26, BGA Pin J2****LOOP6 - Loopback Mode Select Port #6, LQFP Pin 27, BGA Pin J1****LOOP7 - Loopback Mode Select Port #7, LQFP Pin 28, BGA Pin K1**

CBLSEL - Cable Impedance Select, LQFP Pin 93, BGA Pin G13

This pin is used to select the impedance matching network used by all eight transceivers. The transmitters always make use of an internal cable matching network to eliminate external line matching component. The receiver can be operated with either internal or external line matching. The CBLSEL input sets the desired cable matching for the transmitter and configures the receiver for either internal or external impedance matching. The *Application* section provides sample schematics for both internal and external RX matching.

CBLSEL	Cable	TX Match	RX Matching Mode
No Connect	120 Ω	120 Ω	Supports both Internal and External 120 Ω Matching
HIGH	75 Ω	75 Ω	Internal 75 Ω Matching
LOW	75 Ω	75 Ω	External 75 Ω Matching

Status
ALOS0 - Analog Loss Of Signal Output Port #0, LQFP Pin 42, BGA Pin K4

ALOS0 is asserted “high” to indicate analog loss of signal (LOS) compliant to ITU-T G.775.

ALOS1 - Analog Loss Of Signal Port #1, LQFP Pin 35, BGA Pin K3

ALOS2 - Analog Loss Of Signal Port #2, LQFP Pin 75, BGA Pin K12

ALOS3 - Analog Loss Of Signal Port #3, LQFP Pin 68, BGA Pin K11

ALOS4 - Analog Loss Of Signal Port #4, LQFP Pin 113, BGA Pin E11

ALOS5 - Analog Loss Of Signal Port #5, LQFP Pin 106, BGA Pin E12

ALOS6 - Analog Loss Of Signal Port #6, LQFP Pin 3, BGA Pin E3

ALOS7 - Analog Loss Of Signal Port #7, LQFP Pin 140, BGA Pin E4

RX/TX Data I/O
TCLK0 - Transmit Clock Input, LQFP Pin 36, BGA Pin N1.

If a 2.048MHz transmit clock is input on this pin, the TPOS and TNEG inputs function as NRZ inputs. In this mode, the falling edge of TCLK samples NRZ encoded data on TPOS and TNEG.

If TCLK0 is held High, the TPOS and TNEG inputs function as RZ inputs. In this mode, the transmit pulse width is set by the duty cycle of the signal input on TPOS and TNEG. To enter this mode, TCLK must be held high for at least 12 μ S.

If TCLK0 is held low for at least 12 μ S, the output drivers enter a low-power, high impedance state.

TPOS0 - Transmit Positive Pulse Input, LQFP Pin 37, BGA Pin N2.

TNEG0 - Transmit Negative Pulse Input, LQFP Pin 38, BGA Pin N3.

When TCLK0 is active (NRZ input mode), data on TPOS0 and TNEG0 is sampled on the falling edge of TCLK0 and transmitted onto the line at TTIP0 and TRING0 respectively. An input on TPOS0 results in transmission of a positive pulse; an input on TNEG0 results in transmission of a negative pulse.

When TCLK0 is held high (RZ input mode), the pulse widths of TPOS0 and TNEG0 determine the pulse widths output on TTIP0 and TRING0. If TPOS0 and TRING0 are high at the same time, TTIP0 and TRING0 will both be 0.

RCLK0 - Receive Clock Output, LQFP Pin 39, BGA Pin P1.

This output is the XOR of RPOS and RNEG. It can be used for external clock recovery circuits. This output is in a high-impedance state when $\overline{\text{RPD}}$ is Low.

RPOS0 - Receive Positive Pulse Output, LQFP Pin 40, BGA Pin P2.

RNEG0 - Receive Negative Pulse Output, LQFP Pin 41, BGA Pin P3.

These pins output the RZ data recovered by the receive slicers. A positive pulse on RTIP with respect to RRING generates a logic 1 on RPOS; a positive pulse on RRING with respect to RTIP generates a logic 1 on RNEG. The polarity of the output on RPOS/RNEG is selectable with the RPS pin. Note: RPOS and RNEG will be active when the transceiver is in LOS.

RPOS/RNEG will be in a high impedance state if the $\overline{\text{RPD}}$ pin is Low.

TCLK1 - Transmit Clock Input Port 1, LQFP Pin 29, BGA Pin L1.

TPOS1 - Transmit Positive Pulse Input, LQFP Pin 30, BGA Pin L2.

TNEG1 - Transmit Negative Pulse Input, LQFP Pin 31, BGA Pin L3.

RCLK1 - Receive Clock Output, LQFP Pin 32, BGA Pin M1.

RPOS1 - Receive Positive Pulse Output, LQFP Pin 33, BGA Pin M2.

RNEG1 - Receive Negative Pulse Output, LQFP Pin 34, BGA Pin M3.

TCLK2 - Transmit Clock Input Port 2, LQFP Pin 81, BGA Pin L14.

TPOS2 - Transmit Positive Pulse Input, LQFP Pin 80, BGA Pin L13.

TNEG2 - Transmit Negative Pulse Input, LQFP Pin 79, BGA Pin L12.

RCLK2 - Receive Clock Output, LQFP Pin 78, BGA Pin M14.

RPOS2 - Receive Positive Pulse Output, LQFP Pin 77, BGA Pin M13.

RNEG2 - Receive Negative Pulse Output, LQFP Pin 76, BGA Pin M12.

TCLK3 - Transmit Clock Input Port 3, LQFP Pin 74, BGA Pin N14.

TPOS3 - Transmit Positive Pulse Input, LQFP Pin 73, BGA Pin N13.

TNEG3 - Transmit Negative Pulse Input, LQFP Pin 72, BGA Pin L2.

RCLK3 - Receive Clock Output, LQFP Pin 71, BGA Pin P14.

RPOS3 - Receive Positive Pulse Output, LQFP Pin 70, BGA Pin P13.

RNEG3 - Receive Negative Pulse Output, LQFP Pin 69, BGA Pin P12.

TCLK4 - Transmit Clock Input Port 4, LQFP Pin 107, BGA Pin B14.
TPOS4 - Transmit Positive Pulse Input, LQFP Pin 108, BGA Pin B13.
TNEG4 - Transmit Negative Pulse Input, LQFP Pin 109, BGA Pin B12.
RCLK4 - Receive Clock Output, LQFP Pin 110, BGA Pin A14.
RPOS4 - Receive Positive Pulse Output, LQFP Pin 111, BGA Pin A13.
RNEG4 - Receive Negative Pulse Output, LQFP Pin 112, BGA Pin A12.
TCLK5 - Transmit Clock Input Port 5, LQFP Pin 100, BGA Pin D14
TPOS5 - Transmit Positive Pulse Input, LQFP Pin 101, BGA Pin D13.
TNEG5 - Transmit Negative Pulse Input, LQFP Pin 102, BGA Pin D12.
RCLK5 - Receive Clock Output, LQFP Pin 103, BGA Pin C14.
RPOS5 - Receive Positive Pulse Output, LQFP Pin 104, BGA Pin C13.
RNEG5 - Receive Negative Pulse Output, LQFP Pin 105, BGA Pin C12.

TCLK6 - Transmit Clock Input Port 6, LQFP Pin 9, BGA Pin D1.
TPOS6 - Transmit Positive Pulse Input, LQFP Pin 8, BGA Pin D2.
TNEG6 - Transmit Negative Pulse Input, LQFP Pin 7, BGA Pin D3.
RCLK6 - Receive Clock Output, LQFP Pin 6, BGA Pin C1.
RPOS6 - Receive Positive Pulse Output, LQFP Pin 5, BGA Pin C2.
RNEG6 - Receive Negative Pulse Output, LQFP Pin 4, BGA Pin C3.

TCLK7 - Transmit Clock Input Port 7, LQFP Pin 2, BGA Pin B1.
TPOS7 - Transmit Positive Pulse Input, LQFP Pin 1, BGA Pin B2.
TNEG7 - Transmit Negative Pulse Input, LQFP Pin 144, BGA Pin B3.
RCLK7 - Receive Clock Output, LQFP Pin 143, BGA Pin A1.
RPOS7 - Receive Positive Pulse Output, LQFP Pin 142, BGA Pin A2.
RNEG7 - Receive Negative Pulse Output, LQFP Pin 141, BGA Pin A3.

TTIP0 - Transmit Tip Output, LQFP Pin 45, BGA Pin N5.
TRING0 - Transmit Ring Output, LQFP Pin 46, BGA Pin P5.

These pins are the output of the differential transmit driver. The driver matches impedances for 75 Ω unbalanced and 120 Ω balanced lines requiring only a 1:1.15 transformer. The CBLSEL pin is used to select the appropriate impedance for line matching.

Note: TTIP and TRING are forced to a high impedance state when the TCLK pin is Low for over 12 μ S.

RTIP0 - Receive Tip Input, LQFP Pin 48, BGA Pin P7.
RRING0 - Receive Ring Input, LQFP Pin 49, BGA Pin N7.

The pins are the differential line inputs to the receiver. The receiver internally matches impedances for 75 Ω unbalanced and 120 Ω balanced lines requiring only a 1:2 transformer, two external 15 Ω resistors, and one capacitor. The CBLSEL pin is used to select the appropriate impedance for line matching.

Data recovered from the signal input on these pins is output via RPOS, RNEG, and RCLK.

TTIP1 - Transmit Tip Output, LQFP Pin 52, BGA Pin L5.
TRING1 - Transmit Ring Output, LQFP Pin 51, BGA Pin M5.
RTIP1 - Receive Tip Output, LQFP Pin 55, BGA Pin M7.
RRING1 - Receive Ring Output, LQFP Pin 54, BGA Pin L7.

TTIP2 - Transmit Tip Output, LQFP Pin 57, BGA Pin L10.
TRING2 - Transmit Ring Output, LQFP Pin 58, BGA Pin M10.
RTIP2 - Receive Tip Output, LQFP Pin 60, BGA Pin M8.
RRING2 - Receive Ring Output, LQFP Pin 61, BGA Pin L8.

TTIP3 - Transmit Tip Output, LQFP Pin 64, BGA Pin N10.
TRING3 - Transmit Ring Output, LQFP Pin 63, BGA Pin P10.
RTIP3 - Receive Tip Output, LQFP Pin 67, BGA Pin P8.
RRING3 - Receive Ring Output, LQFP Pin 66, BGA Pin N8.

TTIP4 - Transmit Tip Output, LQFP Pin 117, BGA Pin B10.
TRING4 - Transmit Ring Output, LQFP Pin 118, BGA Pin A10.
RTIP4 - Receive Tip Output, LQFP Pin 120, BGA Pin A8.
RRING4 - Receive Ring Output, LQFP Pin 121, BGA Pin B8.

TTIP5 - Transmit Tip Output, LQFP Pin 124, BGA Pin D10.
TRING5 - Transmit Ring Output, LQFP Pin 123, BGA Pin C10.
RTIP5 - Receive Tip Output, LQFP Pin 127, BGA Pin C8.
RRING5 - Receive Ring Output, LQFP Pin 126, BGA Pin D8.

TTIP6 - Transmit Tip Output, LQFP Pin 129, BGA Pin D5.
TRING6 - Transmit Ring Output, LQFP Pin 130, BGA Pin C5.
RTIP6 - Receive Tip Output, LQFP Pin 132, BGA Pin C7.
RRING6 - Receive Ring Output, LQFP Pin 133, BGA Pin D7.

TTIP7 - Transmit Tip Output, LQFP Pin 136, BGA Pin B5.
TRING7 - Transmit Ring Output, LQFP Pin 135, BGA Pin A5.
RTIP7 - Receive Tip Output, LQFP Pin 139, BGA Pin A7.
RRING7 - Receive Ring Output, LQFP Pin 138, BGA Pin B7.

JTAG Test Interface

$\overline{\text{TRST}}$ - JTAG Reset, LQFP Pin 95, BGA Pin G12.

This active low input resets the JTAG controller. This input is pulled up internally and may be left as a NC.

TMS - JTAG Test Mode Select Input, LQFP Pin 96, BGA Pin F11.

This input enables the JTAG serial port when active high. This input is sampled on the rising edge of JTCK. This input is pulled up internally and may be left as a NC.

TCK - JTAG Test Clock, LQFP Pin 97, BGA Pin F14.

Data on TDI is valid on the rising edge of TCK. Data on TDO is valid on the falling edge of TCK. When TCK is stopped high or low, the contents of all JTAG registers remain unchanged. Tie low when not used.

TDO- JTAG Test Data Output, LQFP Pin 98, BGA Pin F13.

TAG test data is shifted out of the device on this pin. Data is output on the falling edge of TCK. Leave as NC when not used.

TDI- JTAG Test Data Input, LQFP Pin 99, BGA Pin F12.

JTAG test data is shifted into the device using this pin. The pin is sampled on the rising edge of TCK. TDI is pulled up internally and may be left as a NC when not used.

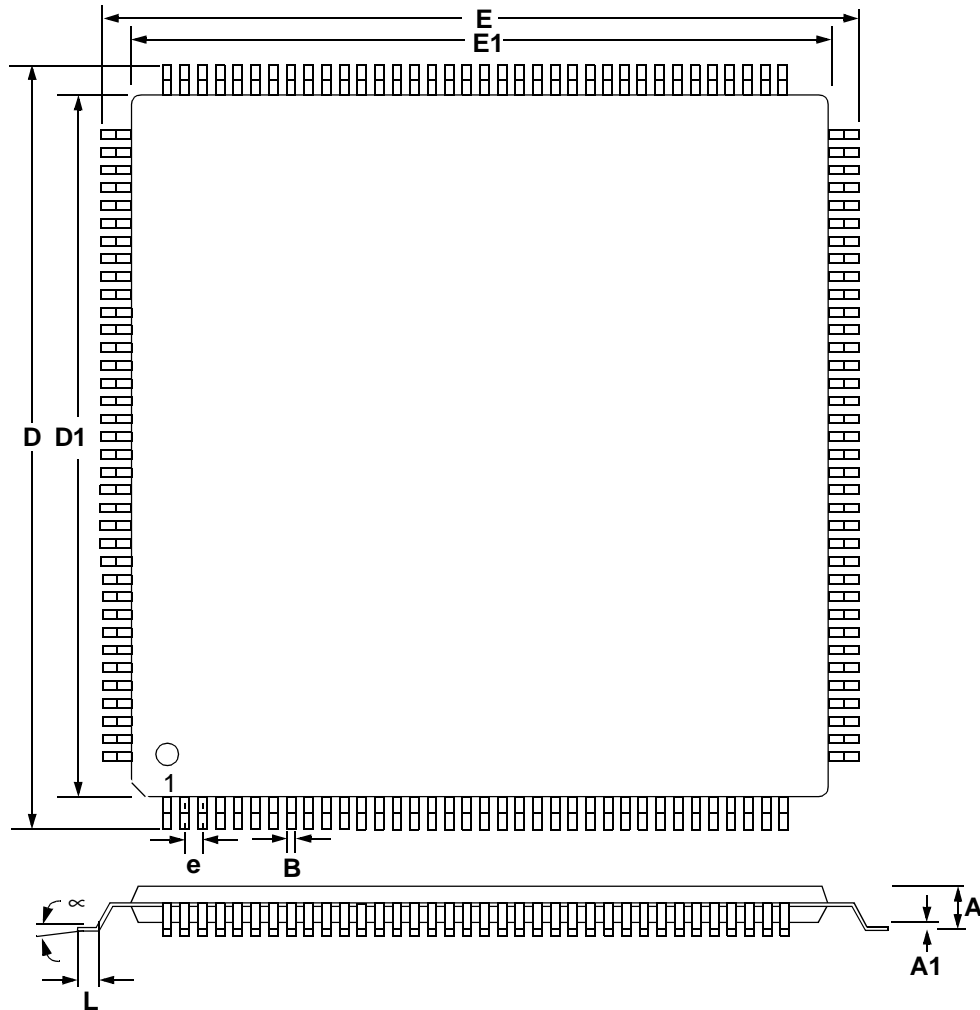
*Miscellaneous***REF - Reference Output, LQFP Pin 94, BGA Pin H13.**

This pin must be tied to ground through 13.3 k Ω 1% resistor.

*No Connects***NC - No Connects, LQFP Pin 82-83, BGA Pin K13-K14.**

4. PACKAGE DIMENSIONS

144L LQFP PACKAGE DRAWING



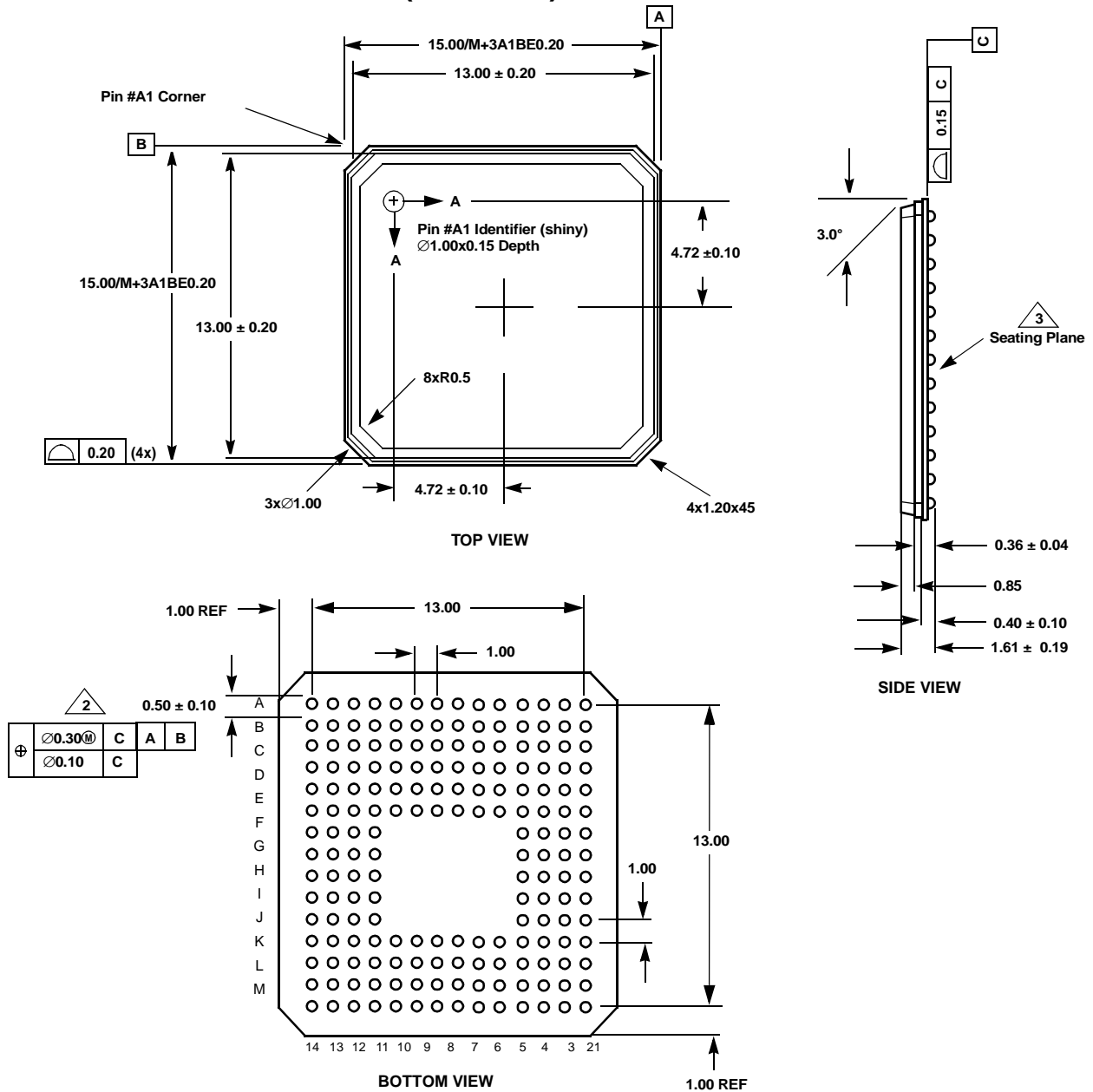
DIM	INCHES			MILLIMETERS		
	MIN	NOM	MAX	MIN	NOM	MAX
A	---	0.55	0.063	---	1.40	1.60
A1	0.002	0.004	0.006	0.05	0.10	0.15
B	0.007	0.008	0.011	0.17	0.20	0.27
D	0.854	0.866 BSC	0.878	21.70	22.0 BSC	22.30
D1	0.783	0.787 BSC	0.791	19.90	20.0 BSC	20.10
E	0.854	0.866 BSC	0.878	21.70	22.0 BSC	22.30
E1	0.783	0.787 BSC	0.791	19.90	20.0 BSC	20.10
e*	0.016	0.020	0.024	0.40	0.50 BSC	0.60
∞	0.000°	4°	7.000°	0.00°	4°	7.00°
L	0.018	0.024	0.030	0.45	0.60	0.75

* Nominal pin pitch is 0.50 mm

Controlling dimension is mm.

JEDEC Designation: MS022

160-BALL FBGA (2 LAYER) PACKAGE DRAWING



JEDEC #: MO-158

Notes: 14. All dimensions and tolerance conform to ASME Y 14.5 M - 1994.

- ② Dimension is measured at the maximum solder ball diameter, parallel to primary datum [C].
- ③ Primary datum [C] and seating plane are defined by the spherical crowns of the solder balls.
- 4. Maximum mold to substrate offset shall be 0.127.
- 5. The surface finish of the package shall be EDM charmille #18 - #21.
- 6. Unless otherwise specified tolerance: Decimal ± 0.05 ; Angular ± 2

5. APPLICATIONS

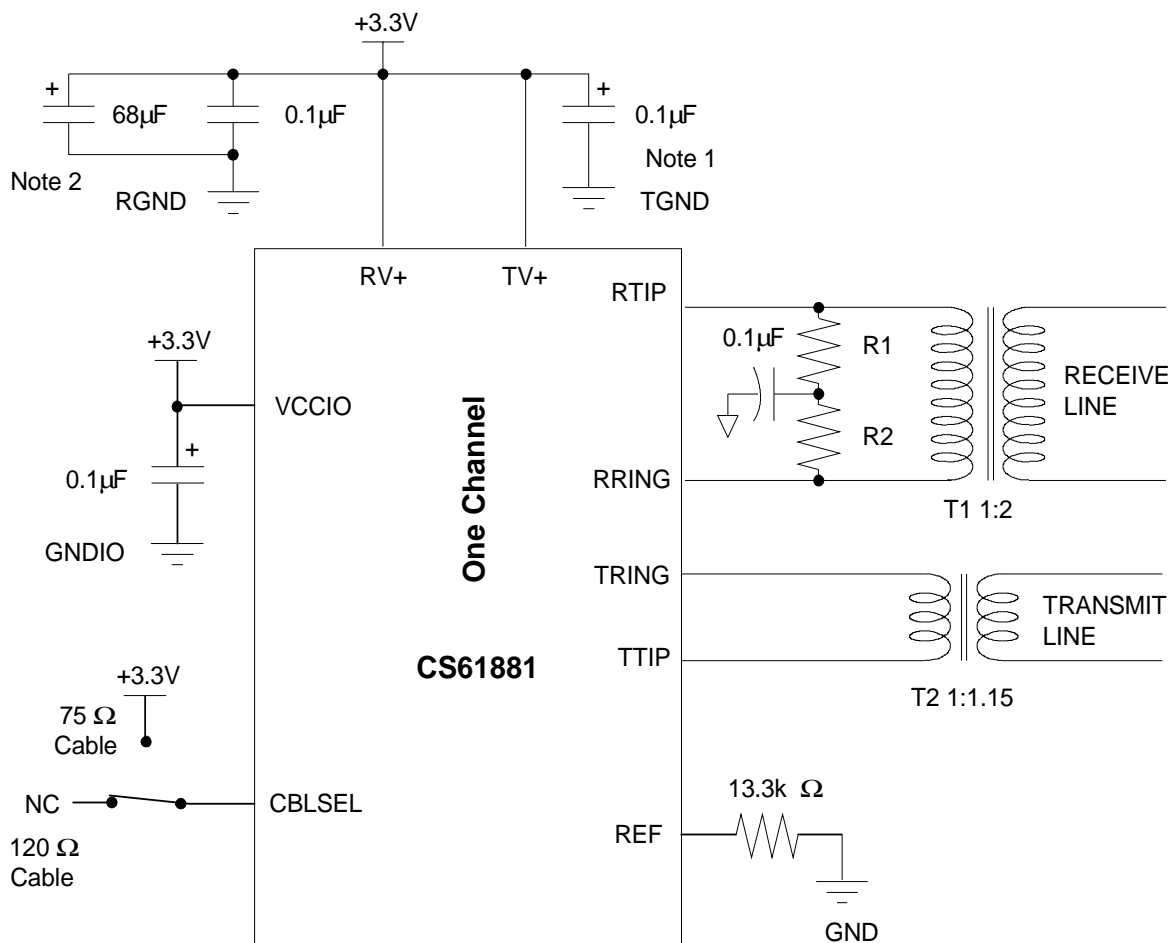


Figure 9. Internal RX Impedance Matching

Component	75 Ω Coaxial Cable	120 Ω Coaxial Cable
R1 (Ω)	15	15
R2 (Ω)	15	15

Notes: 1) Required Capacitor between each TVCC, RVCC, VCCIO and TGND, RGND, GNDIO respectively.
 2) Common decoupling capacitor for all TVCC and TGND pins.

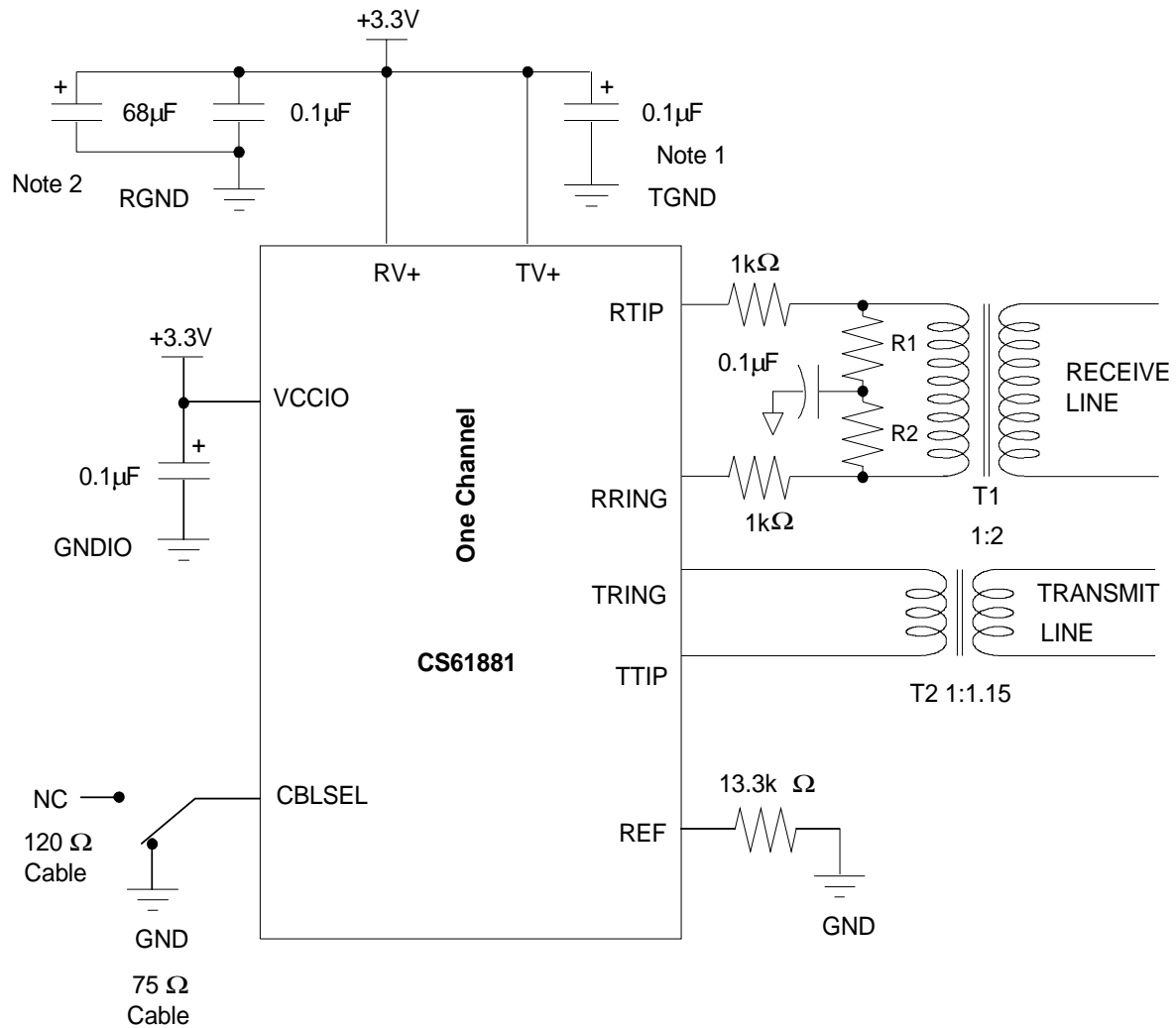


Figure 10. External RX Impedance Matching

Component	E1 75 Ω Coaxial Cable	E1 120 Ω Twisted Pair Cable
R1 (Ω)	9.31	15
R2 (Ω)	9.31	15

Notes: 1) Required Capacitor between each TVCC, RVCC, VCCIO and TGND, RGND, GNDIO respectively.
 2) Common decoupling capacitor for all TVCC and TGND pins.

SMART
Analog™