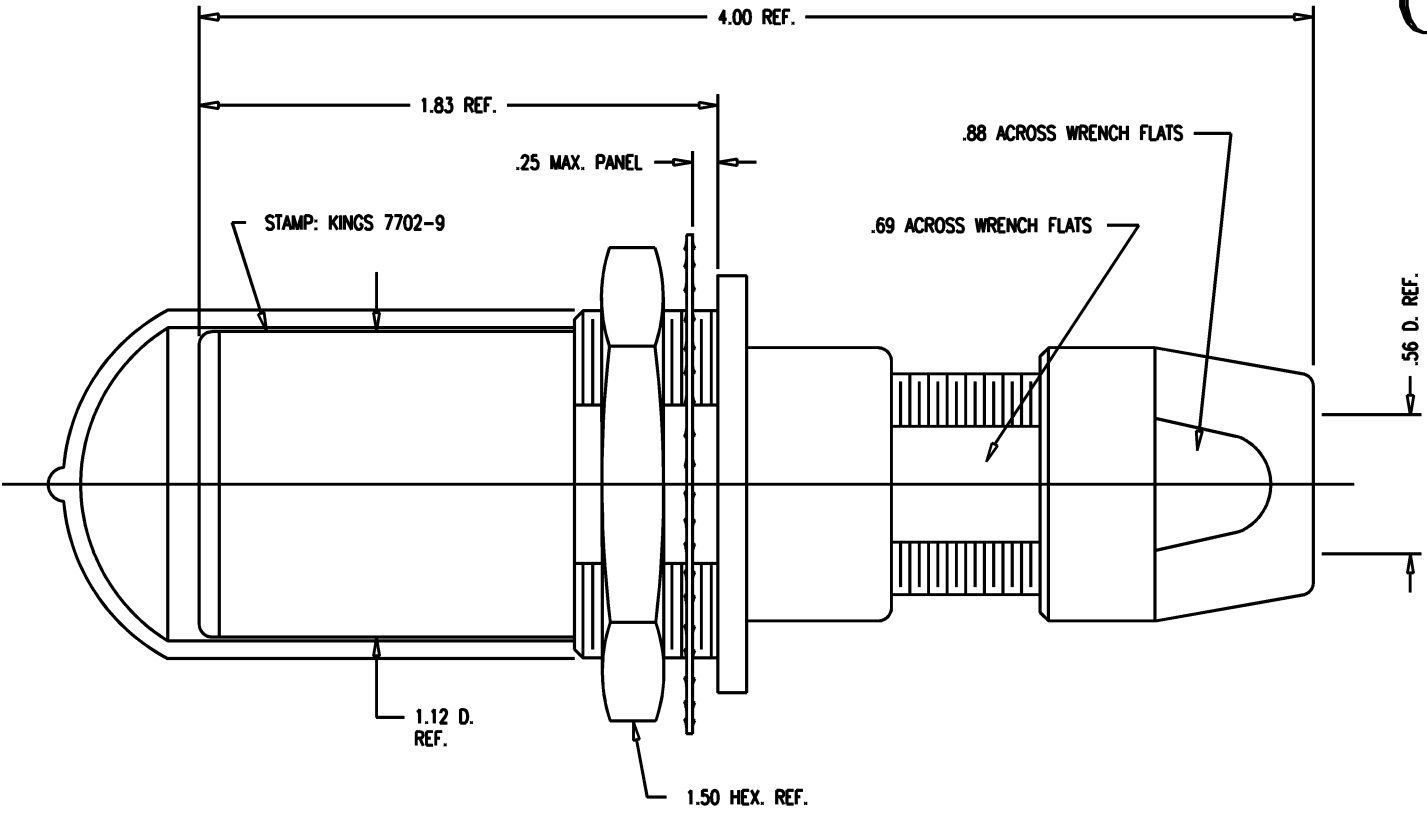


|          |        |           |
|----------|--------|-----------|
| DASH NO. | M CODE | MADE FROM |
|----------|--------|-----------|

# GSD



7702-9

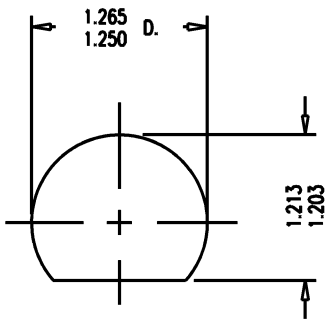
| REVISIONS |                           |
|-----------|---------------------------|
| ISSUE     | CHANGES                   |
| 0         | ER 35435<br>KH 04/17/95   |
| 1         | CN 37238 D<br>KH 02/03/97 |
| 2         | CN 37289 A<br>KH 03/13/97 |

KAM5573

**NOTES:**

- FOR USE WITH 740 CABLE GROUP.
- FOR CABLING INSTRUCTIONS SEE KAI-8010.
- FOR CABLE TRIMMING USE KTJ-300 AND KTD-304.
- FOR CRIMPING USE DIE KTH-2041.
- MATERIALS:  
 INSULATORS-TEFLON, ASTM-D-4894  
 LOCKWASHER-SPRING STEEL, ASTM-A-682  
 GASKETS-SILICONE RUBBER, ZZ-R-765  
 CAP-VINYL  
 K-GRIP SLEEVE-COMMERCIAL BRONZE, ASTM-B-135  
 CENTER CONTACT  
 OUTER CONTACT SPRING } BER. COP., ASTM-B-196  
 INSERT  
 ALL OTHER METAL PARTS-BRASS, ASTM-B16

- FINISHES:  
 CENTER CONTACT } GOLD PLATE PER MIL-G-45204  
 OUTER CONTACT SPRING }  
 LOCKWASHER }  
 NUTS } KINGS TARNISH RESISTANT NICKEL FINISH (TR-5)  
 COLLET }  
 OUTER BODIES }  
 ALL OTHER METAL PARTS-SILVER PLATE PER QQ-S-365
- ELECTRICAL CHARACTERISTICS:  
 NOMINAL IMPEDANCE: 75 OHMS  
 FREQUENCY RANGE: DC-500 MHZ  
 VOLTAGE BREAKDOWN: CENTER CONDUCTOR/INNER GROUND: 1500 VRMS  
 INNER GROUND/OUTER GROUND: 500 VRMS



# GSD MOUNTING HOLE

|   |               |
|---|---------------|
| SCALE 2:1   |               |
| APPROX SURFACE AREA   |               |
| USED ON   |               |
| REF: KP-8021-747-400  |               |
| JK, BKHD, TRI-LOC<br>SERIAL DIGITAL                               |               |
| DRAWN KH  | DATE 04/17/95 |
| DESIGN DW   | DATE 04/18/95 |
| APPR.   | DATE          |
| <b>KINGS</b><br>ELECTRONICS CO., INC.<br>TUCKAHOE, NEW YORK 10707 |               |
| 7702-9  |               |