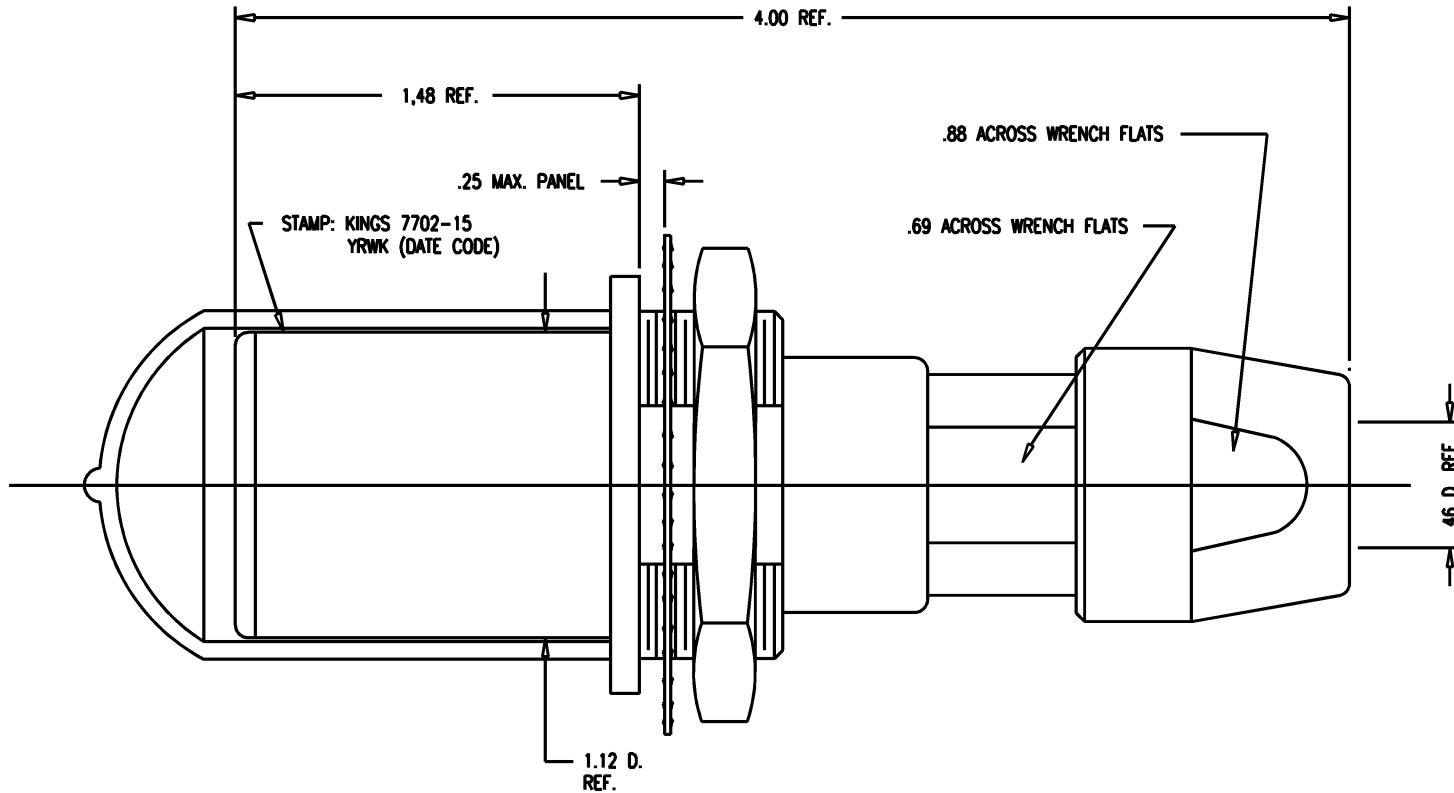


|          |        |           |
|----------|--------|-----------|
| DASH NO. | M CODE | MADE FROM |
|----------|--------|-----------|

# GSD

7702-15

| REVISIONS |                            |
|-----------|----------------------------|
| ISSUE     | CHANGES                    |
| 0         | ER 36993<br>KH 06/05/96    |
| 1         | CN 37012 E<br>KH 06/18/96  |
| 2         | CN 37238 A<br>KH 02/03/97  |
| 3         | CN 38154 C<br>BDH 12/14/00 |



**NOTES:**

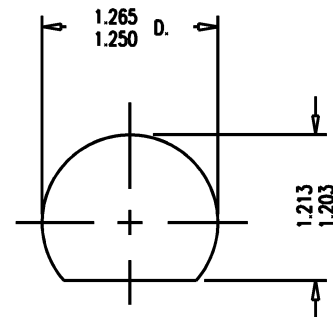
- FOR USE WITH BELDEN 1859A (79 CABLE GROUP).
- FOR CABLING INSTRUCTIONS SEE KAI-8011.
- FOR CRIMPING USE DIE SIZE 2040.
- MATERIALS:**  
 INSULATORS-TEFLON, ASTM-D-4894  
 LOCKWASHER-SPRING STEEL, PER ASTM A682  
 GASKETS-SILICONE RUBBER, ZZ-R-765  
 CAP-VINYL  
 K-GRIP SLEEVE-COMMERCIAL BRONZE, ASTM-B-135  
 CENTER CONTACT }  
 OUTER CONTACT SPRING } BER. COP., ASTM-B-196  
 INSERT  
 ALL OTHER METAL PARTS-BRASS, ASTM-B16

**5. FINISHES:**

- CENTER CONTACT } GOLD PLATE PER MIL-G-45204
- OUTER CONTACT SPRING }
- LOCKWASHER }
- NUTS } KINGS TARNISH RESISTANT NICKEL FINISH (TR-5)
- COLLET }
- BODIES }
- ALL OTHER METAL PARTS-SILVER PLATE PER QQ-S-365

**6. ELECTRICAL CHARACTERISTICS:**

- NOMINAL IMPEDANCE: 75 OHMS
- FREQUENCY RANGE: DC-500 MHZ
- VOLTAGE BREAKDOWN: CENTER CONDUCTOR/INNER GROUND: 1500 VRMS
- INNER GROUND/OUTER GROUND: 500 VRMS



# GSD

MOUNTING HOLE

KAM6637

|                                      |               |
|--------------------------------------|---------------|
| SCALE 2:1                            |               |
| APPROX SURFACE AREA                  |               |
| WAS: E-19366                         |               |
| USED ON                              |               |
| REF:                                 |               |
| JK, BKHD, TRI-LOC,<br>SERIAL DIGITAL |               |
| DRAWN KH                             | DATE 05/31/96 |
| DESIGN DW                            | DATE 05/31/96 |
| APPR.                                | DATE          |

**KINGS**  
ELECTRONICS CO., INC.  
ROCK HILL, SOUTH CAROLINA 29730

7702-15