

GSD

758-36-101

REVISIONS

ISSUE

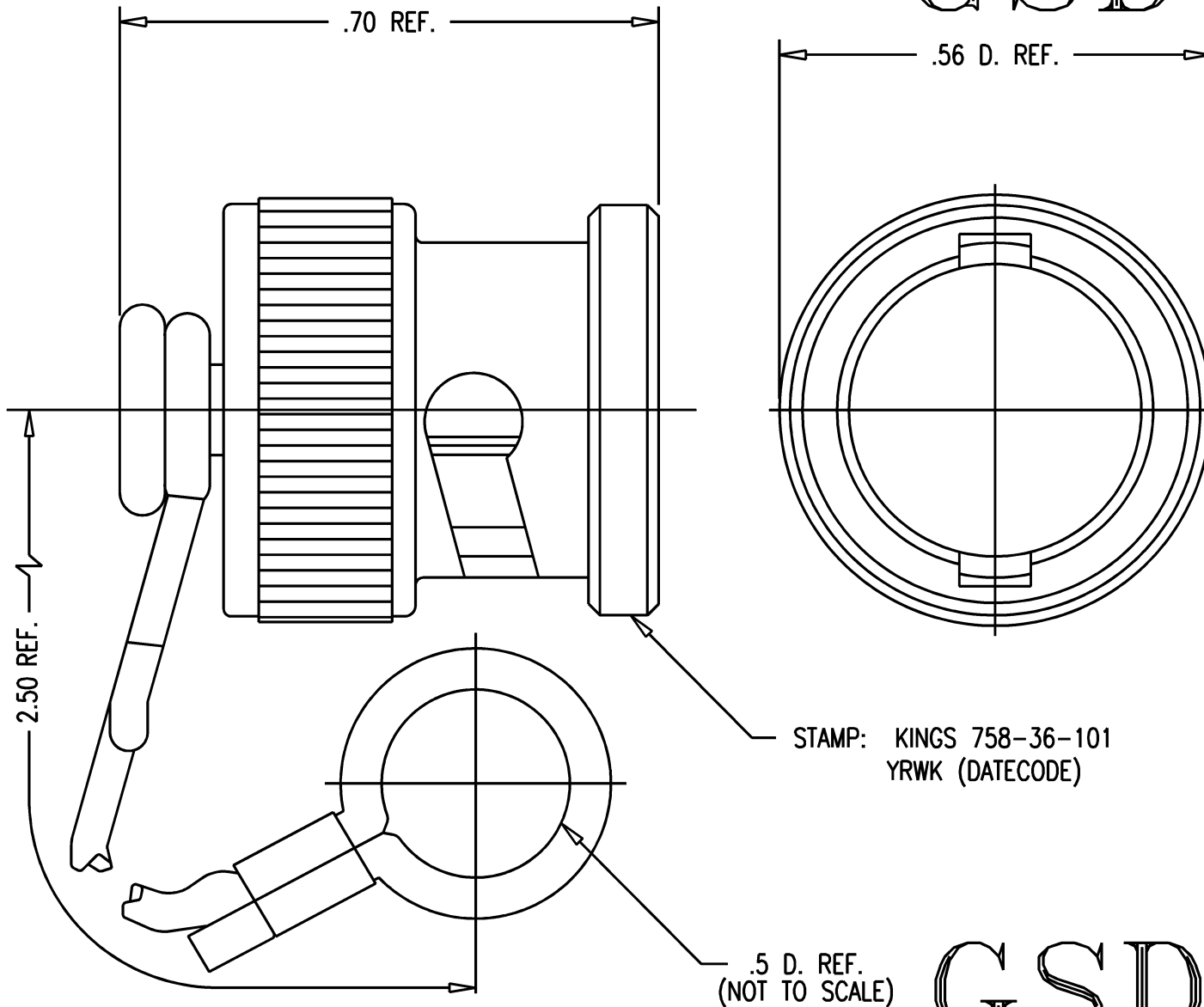
CHANGES

2

ER 38888
DCT 7/22/3

3

CN 38917 A
DCT 8/25/3



STAMP: KINGS 758-36-101
YRWK (DATECODE)

.5 D. REF.
(NOT TO SCALE)

GSD

NOTES:

1. MARK PACKAGE: KINGS 758-36-101
XX XX (DATE CODE)

2. MATERIALS:

PAD: SILICONE RUBBER, ZZ-R-765, OLIVE GREEN.
CORD: CORELESS NYLON CORD PER MIL-C-7515.
CLIP: STAINLESS STEEL-BLACKNED
ALL OTHER METAL PARTS: BRASS, ASTM-B16, H02

3. FINISHES:

CAP & BAYONET SLEEVES:
OLIVE GREEN PAINT PER TT-E-529 OVER
SILVER PLATE, QQ-S-365.

ALL OTHER METAL PARTS:
KINGS TARNISH RESISTANT NICKEL FINISH (TR-5)

SCALE 4:1

APPROX SURFACE AREA

USED ON

REF: EQR 616

CAP ASS'Y, BNC, M

DRAWN DCT	DATE 4/11/3
DESIGN DCT	DATE 4/11/3
APPR.	DATE

KINGS

ELECTRONICS CO., INC.
ROCK HILL, SOUTH CAROLINA 29730

758-36-101