

PLEASE CHECK WWW.MOLEX.COM FOR LATEST PART INFORMATION

Part Number: [0471511042](#)
Status: **Active**
Overview: high definition multimedia interface hdmi
Description: 0.50mm (.020") Pitch HDMI* Receptacle, Right Angle, 0.25µm (10µ") Gold (Au) Plating, Front Solder Tab Length 1.80mm (.071"), Shell Nickel (Ni) Plated, with Flange and Back Cover, Black Housing, Tape on Reel Packaging, Lead Free

Documents:

[3D Model](#) [Product Specification PS-47152-001 \(PDF\)](#)
[Drawing \(PDF\)](#) [RoHS Certificate of Compliance \(PDF\)](#)

General

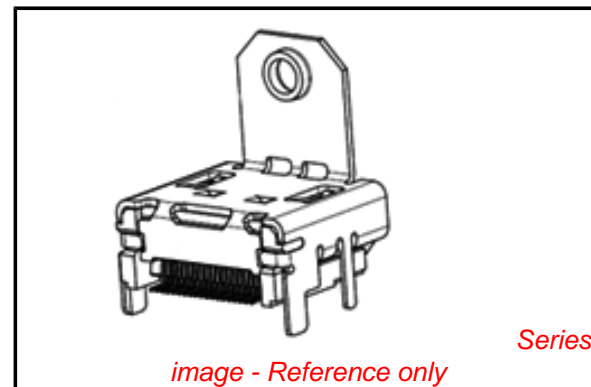
Product Family	I/O Connectors
Series	47151
Application	Wire-to-Board
Component Type	Receptacle
Overview	high definition multimedia interface hdmi
Product Name	HDMI
Type	N/A

Physical

Boot Color	N/A
Circuits (Loaded)	19
Color - Resin	Black
Gender	Male
Keying to Mating Part	Yes
Lock to Mating Part	Yes
Material - Metal	Copper Alloy
Material - Plating Mating	Gold
Material - Plating Termination	Tin-Bismuth
Number of Rows	2
Orientation	Right Angle
PCB Locator	No
PCB Retention	Yes
Packaging Type	Embossed Tape on Reel
Panel Mount	With Flange
Pitch - Mating Interface (in)	0.020 In
Pitch - Mating Interface (mm)	0.50 mm
Pitch - Term. Interface (in)	0.020 In
Pitch - Term. Interface (mm)	0.50 mm
Plating min: Mating (µin)	10
Plating min: Mating (µm)	0.25
Plating min: Termination (µin)	40
Plating min: Termination (µm)	1
Polarized to Mating Part	Yes
Polarized to PCB	Yes
Ports	1
Temperature Range - Operating	-20°C to +85°C
Termination Interface: Style	Surface Mount
Waterproof / Dustproof	No
Wire Size AWG	N/A

Electrical

Current - Maximum per Contact	.5A
Shielded	Yes
Voltage - Maximum	40V DC



EU RoHS

**ELV and RoHS
Compliant**
**REACH SVHC
Contains SVHC: No**
**Halogen-Free
Status**

China RoHS



**Need more information on product
environmental compliance?**

Email productcompliance@molex.com
 For a multiple part number RoHS Certificate of Compliance, [click here](#)

Please visit the [Contact Us](#) section for any non-product compliance questions.

Search Parts in this Series

[47151Series](#)

Mates With

[88768](#) HDMI cable assembly, [88764](#) HDMI Adapter, [88767](#) HDMI Adapter

Material Info

Reference - Drawing Numbers

Packaging Specification	PK-47151-002
Product Specification	PS-47152-001
Sales Drawing	SD-47151-001

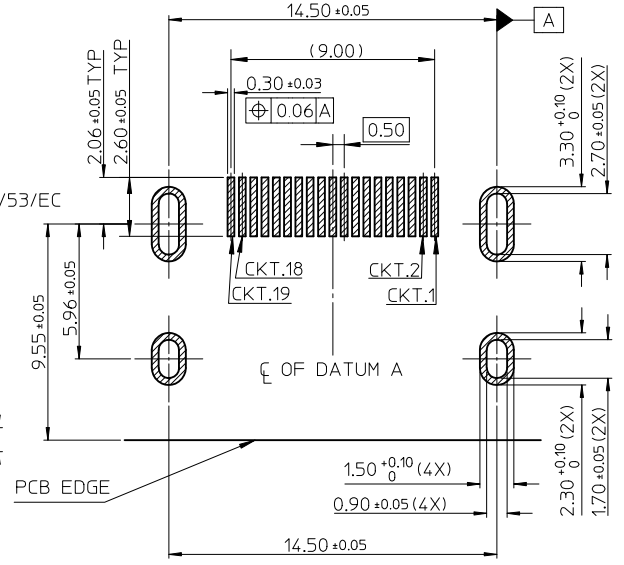
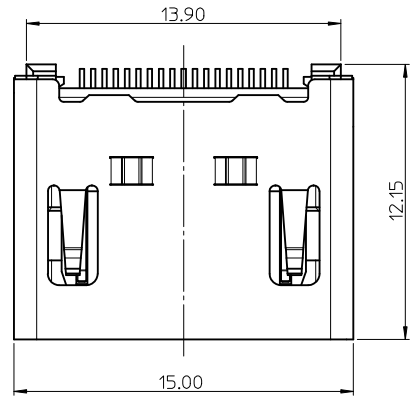
* High Definition Multimedia Interface and HDMI are trademarks of HDMI Licensing, LLC.

This document was generated on 05/19/2010

PLEASE CHECK WWW.MOLEX.COM FOR LATEST PART INFORMATION

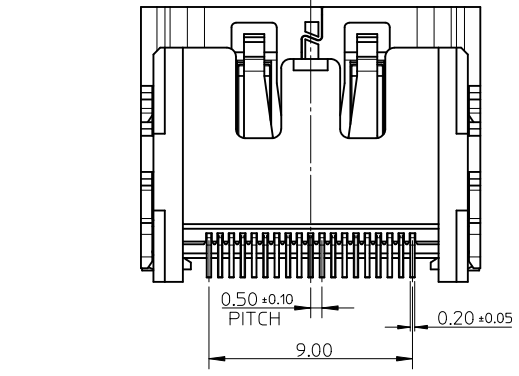
NOTES:

1. MATERIAL:
HOUSING: THERMOPLASTIC . COLOR: SEE TABLE.
SHELL: COPPER ALLOY.
TERMINAL: COPPER ALLOY.
2. PLATING:
TERMINAL:
CONTACT AREA: (1) 0.76 MICROMETER MIN. GOLD PLATING.
(2) 0.25 MICROMETER MIN. GOLD PLATING.
(3) GOLD FLASH.
(4) 0.375 MICROMETER MIN. GOLD PLATING.
SOLDER AREA: 1 MICROMETER MIN. TIN-BISMUTH ALLOY PLATED.
UNDER PLATE: 1.27 MICROMETER MIN. NICKEL.
SHELL: (a) 1.27 MICROMETER MIN. SOLDERABLE NICKEL PLATE OVERALL.
(b) GOLD FLASH PLATING OVER 1.27 MICROMETER MIN. NICKEL PLATING OVERALL.
3. COPLANARITY IS 0.1MM MAX.
4. PRODUCT SPECIFICATION REFER TO PS-47152-001.
5. PACKAGE SPECIFICATION FOR WITHOUT FLANGE REFER TO PK-47151-001.
6. PRODUCT COMPLIANT TO RoHS DEIRECTIVE 2002/95/EC AND ELV DIRECTIVE 2000/53/EC

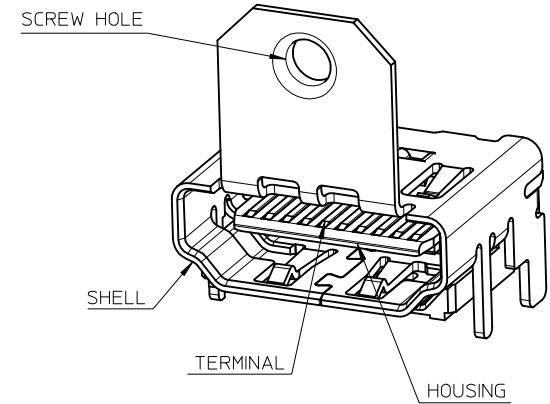


RECOMMENDED PCB LAYOUT
CONNECTOR SIDE

RECOMMENDED PANEL CUT OUT DIMENSION



ADD PART NUMBER EC NO: SH2010-0164 DRWN:XOZHANG 2009/10/20 CHKD:GLL 2009/10/21 APPR:XJISONG 2009/11/30	QUALITY SYMBOLS $\nabla_F=0$ $\nabla_F=0$ $\nabla_F=0$	GENERAL TOLERANCES (UNLESS SPECIFIED)		DIMENSION STYLE MM ONLY	SCALE 5:1	DESIGN UNITS METRIC	THIRD ANGLE PROJECTION
		4 PLACES ± --- ± --- 3 PLACES ± --- ± --- 2 PLACES ± 0.25 ± --- 1 PLACE ± 0.25 ± ---	mm INCH	DRAWN BY: RZHANG CHECKED BY: GRMA APPROVED BY: YTYAP	DATE: 2004/07/20 DATE: 2004/07/20 DATE: 2004/07/20	TITLE: 1.0 HDMI RIGHT ANGLE HEADER ASSEMBLY(19 PIN) LEAD FREE	
		ANGULAR ± 3 °		MATERIAL NO.	DOCUMENT NO.	MOLEX INCORPORATED	
		DRAFT WHERE APPLICABLE MUST REMAIN WITHIN DIMENSIONS		SEE SHEET 6	SD-47151-001	SHEET NO. 1 OF 8	

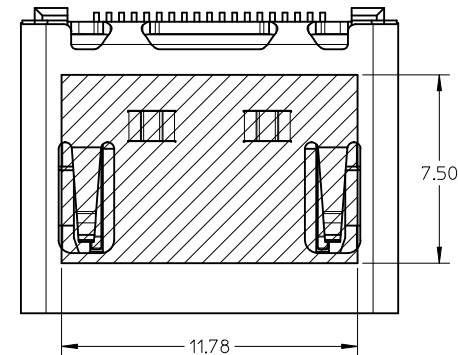
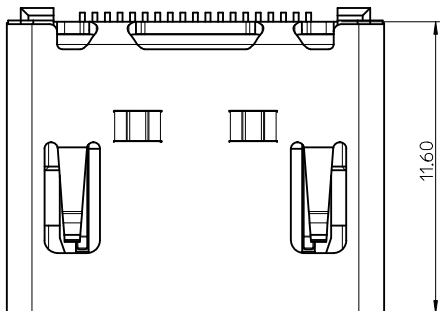


NOTES:

1. THE UNSPECIFIED DIMENSIONS REFER TO SHEET 1.
2. PACKAGE SPECIFICATION FOR WITH FLANGE REFER TO PK-47151-002.

SEE SHEET 1 EC NO: SH2010-0164 DRWN: XQZHANG CHKD: GLLI APPR: XJ SONG	2009/10/20 2009/10/21 2009/11/30	QUALITY SYMBOLS $\nabla_A = 0$ $\nabla_C = 0$ $\nabla_P = 0$	GENERAL TOLERANCES (UNLESS SPECIFIED)		DIMENSION STYLE MM ONLY		SCALE 5:1	DESIGN UNITS METRIC	THIRD ANGLE PROJECTION		
			mm INCH	DRAWN BY RZHANG	DATE 2004/07/20	TITLE 1.0 HDMI RIGHT ANGLE HEADER ASSEMBLY(19 PIN) LEAD FREE					
	4 PLACES ± --- ± ---		3 PLACES ± --- ± ---	2 PLACES ± 0.25 ± ---	1 PLACE ± 0.25 ± ---	CHECKED BY GRMA	DATE 2004/07/20	APPROVED BY YTYAP			
	ANGULAR ± 3 °				MATERIAL NO. SEE SHEET 6	DATE 2004/07/20	MOLEX INCORPORATED		DOCUMENT NO. SD-47151-001	SHEET NO. 2 OF 8	
DRAFT WHERE APPLICABLE MUST REMAIN WITHIN DIMENSIONS			SIZE A3		THIS DRAWING CONTAINS INFORMATION THAT IS PROPRIETARY TO MOLEX INCORPORATED AND SHOULD NOT BE USED WITHOUT WRITTEN PERMISSION						

WITH BACK COVER



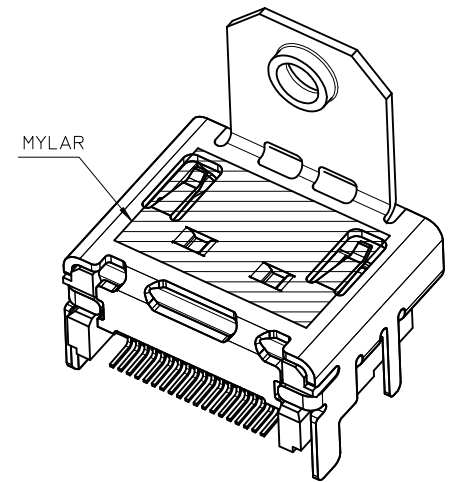
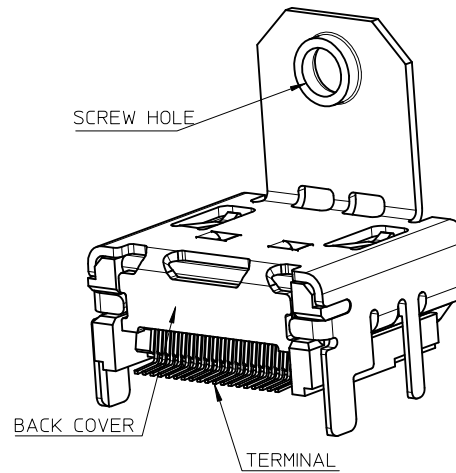
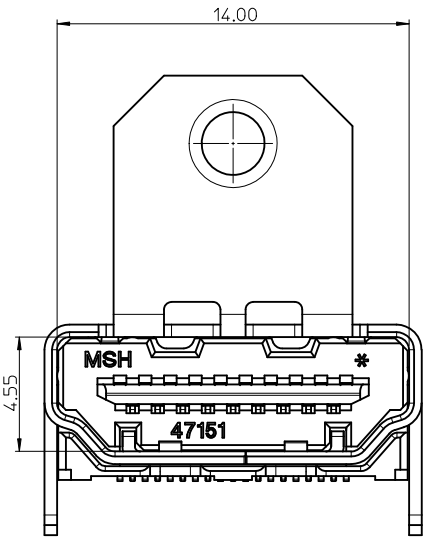
NOTES:

1. THE UNSPECIFIED DIMENSIONS REFER TO 47151-0001.
2. PACKAGE SPECIFICATION FOR WITHOUT FLANGE REFER TO PK-47151-001.

THIS IS ONLY FOR 47151-1061/1071/1081

SEE SHEET 1 EC NO: SH2010-0164 DRWN: XQZHANG CHKD: GLLI APPR: XJSONG	2009/10/20 2009/10/21 2009/11/30	DESCRIPTION REV	QUALITY SYMBOLS	GENERAL TOLERANCES (UNLESS SPECIFIED)	DIMENSION STYLE	SCALE	DESIGN UNITS	THIRD ANGLE PROJECTION
			$F_A=0$	mm INCH	MM ONLY	5:1	METRIC	
			$F_B=0$	4 PLACES ± --- ± ---	DRAWN BY DATE			
			$F_C=0$	3 PLACES ± --- ± ---	RZHANG 2004/07/20	TITLE		
$F_D=0$	2 PLACES ± 0.25 ± ---	CHECKED BY DATE	1.0 HDMI RIGHT ANGLE HEADER ASSEMBLY(19 PIN) LEAD FREE					
	1 PLACE ± 0.25 ± ---	GRMA 2004/07/20						
	ANGULAR ± 3 °	APPROVED BY DATE	MOLEX INCORPORATED					
		YTYAP 2004/07/20						
	DRAFT WHERE APPLICABLE MUST REMAIN WITHIN DIMENSIONS	MATERIAL NO.	SD-47151-001					
		SIZE	SEE SHEET 7					
		A3	THIS DRAWING CONTAINS INFORMATION THAT IS PROPRIETARY TO MOLEX INCORPORATED AND SHOULD NOT BE USED WITHOUT WRITTEN PERMISSION					
					SHEET NO. 3 OF 8			

WITH BACK COVER



THIS IS ONLY FOR
47151-1025/1075/1085/6022/6032/1026/2062

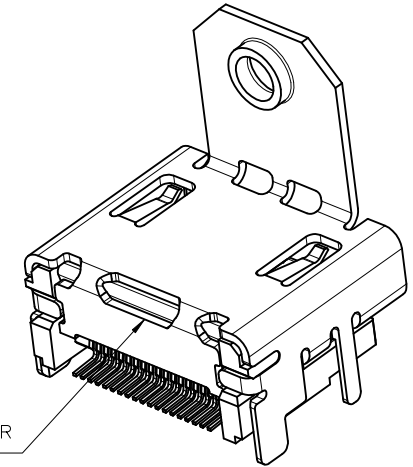
NOTES:

1. THE UNSPECIFIED DIMENSIONS REFER TO 47151-0002.
2. PACKAGE SPECIFICATION FOR WITH FLANGE:
 OPTION 1: 47151-1026/2062/6032 REFER TO PK-47151-005.
 OPTION 2: 47151-1102 REFER TO PK-47151-003.
 OPTION 3: OTHER PART NUMBER REFER TO PK-47151-002.

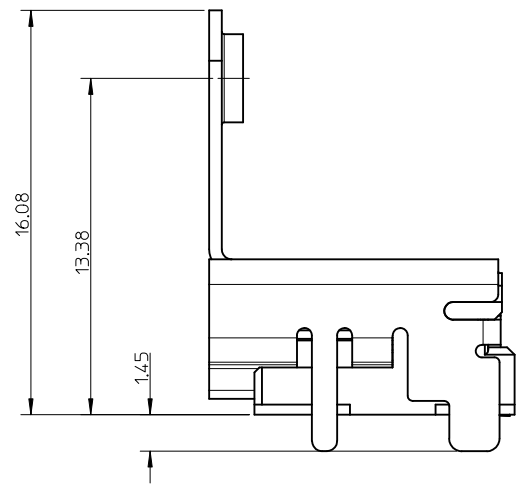
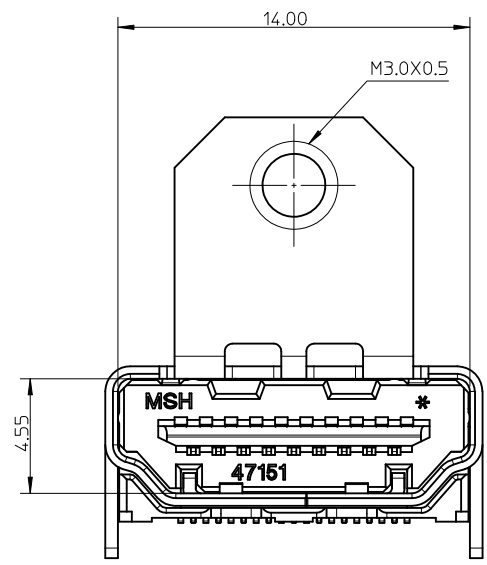
SEE SHEET 1 EC NO: SH2010-0164 DRW: XQZHANG CHK: GLLI APPR: XJSONG	2009/10/20 2009/10/21 2009/11/30	DESCRIPTION REV	QUALITY SYMBOLS	GENERAL TOLERANCES (UNLESS SPECIFIED)	DIMENSION STYLE	SCALE	DESIGN UNITS	THIRD ANGLE PROJECTION		
			$\nabla_A = 0$ $\nabla_C = 0$ $\nabla_B = 0$	mm INCH 4 PLACES ± --- ± --- 3 PLACES ± --- ± --- 2 PLACES ± 0.25 ± --- 1 PLACE ± 0.25 ± --- ANGULAR ± 3 °	MM ONLY	5:1	METRIC	DRAWN BY: RZHANG CHECKED BY: GRMA APPROVED BY: YTYAP MATERIAL NO.	DATE: 2004/07/20 DATE: 2004/07/20 DATE: 2004/07/20	TITLE: 1.0 HDMI RIGHT ANGLE HEADER ASSEMBLY(19 PIN) LEAD FREE MOLEX INCORPORATED DOCUMENT NO. SD-47151-001
			DRAFT WHERE APPLICABLE MUST REMAIN WITHIN DIMENSIONS	SEE SHEET 8	SIZE: A3 THIS DRAWING CONTAINS INFORMATION THAT IS PROPRIETARY TO MOLEX INCORPORATED AND SHOULD NOT BE USED WITHOUT WRITTEN PERMISSION	SHEET NO. 4 OF 8				



WITHOUT TOP HOLE



BACK COVER



NOTES:
 1. THE UNSPECIFIED DIMENSIONS REFER TO 47151-1102.
 2. PACKAGE SPECIFICATION FOR WITH FLANGE REFER TO PK-47151-002.

SEE SHEET 1	DESCRIPTION
EC NO: SH2010-0164	2009/10/20
DRWN:XOZHANG	2009/10/21
CHKD:GLL	2009/11/30
APPR:XJ.SONG	
REV	

QUALITY SYMBOLS
$\nabla_F = 0$
$\nabla_E = 0$
$\nabla_A = 0$

GENERAL TOLERANCES (UNLESS SPECIFIED)	mm	INCH
	4 PLACES \pm ---	\pm ---
	3 PLACES \pm ---	\pm ---
	2 PLACES \pm 0.25	\pm ---
	1 PLACE \pm 0.25	\pm ---
	ANGULAR \pm 3 °	
DRAFT WHERE APPLICABLE MUST REMAIN WITHIN DIMENSIONS		

DIMENSION STYLE	
MM ONLY	
DRAWN BY	DATE
RZHANG	2004/07/20
CHECKED BY	DATE
GRMA	2004/07/20
APPROVED BY	DATE
YTYAP	2004/07/20
MATERIAL NO.	
SEE SHEET 7	

SCALE	DESIGN UNITS	THIRD ANGLE PROJECTION
5:1	METRIC	
TITLE		
1.0 HDMI RIGHT ANGLE HEADER ASSEMBLY(19 PIN) LEAD FREE		
MOLEX INCORPORATED		SHEET NO.
DOCUMENT NO.		5 OF 8
SD-47151-001		
THIS DRAWING CONTAINS INFORMATION THAT IS PROPRIETARY TO MOLEX INCORPORATED AND SHOULD NOT BE USED WITHOUT WRITTEN PERMISSION		

ASSEMBLY P/N	DIMENSION					FEATURE				HOUSING COLOUR	GOLD PLATING IN CONTACT AREA	SHELL PLATING	REMARK			
	DIM A	DIM B	DIM C	DIM D	DIM E	FLANGE	BACK COVER	TOP HOLES	MYLAR							
47151-0001	1.80	2.20	/	/	/	W/O	W/O	WITH	W/O	BLACK	SEE NOTE 2 (1)	SEE NOTE 2 (a)	FOR SHEET 1			
47151-0041														SEE NOTE 2 (2)		
47151-0051														SEE NOTE 2 (3)		
47151-0011														SEE NOTE 2 (1)		
47151-0071														SEE NOTE 2 (2)		
47151-0061														SEE NOTE 2 (3)		
47151-0021														SEE NOTE 2 (1)		
47151-0031														SEE NOTE 2 (1)		
47151-0101	1.45	1.45	/	/	/	W/O	W/O	WITH	W/O	BLACK	SEE NOTE 2 (1)	SEE NOTE 2 (a)		FOR SHEET 2		
47151-0141															SEE NOTE 2 (2)	
47151-0151															SEE NOTE 2 (3)	
47151-0111															SEE NOTE 2 (1)	
47151-0181															SEE NOTE 2 (2)	
47151-0161															SEE NOTE 2 (3)	
47151-0121															SEE NOTE 2 (1)	
47151-0131															SEE NOTE 2 (1)	
47151-0002	1.80	2.20	M3.0x0.5	16.08	13.38	WITH	W/O	WITH	W/O	BLACK	SEE NOTE 2 (1)	SEE NOTE 2 (a)	FOR SHEET 2			
47151-0042															SEE NOTE 2 (2)	
47151-0062															SEE NOTE 2 (3)	
47151-0012															SEE NOTE 2 (1)	
47151-0052															SEE NOTE 2 (2)	
47151-0072															SEE NOTE 2 (3)	
47151-0022															SEE NOTE 2 (1)	
47151-0032															SEE NOTE 2 (1)	
47151-0102	1.45	1.45	M3.0x0.5	16.08	13.38	WITH	W/O	WITH	W/O	BLACK	SEE NOTE 2 (1)	SEE NOTE 2 (a)		FOR SHEET 2		
47151-0142															SEE NOTE 2 (2)	
47151-0162															SEE NOTE 2 (3)	
47151-0112															SEE NOTE 2 (1)	
47151-0152															SEE NOTE 2 (2)	
47151-0172															SEE NOTE 2 (3)	
47151-0122															SEE NOTE 2 (1)	
47151-0132															SEE NOTE 2 (1)	
47151-6002	1.80	2.20	M3.0x0.5	14.25	11.28	WITH	W/O	WITH	W/O	BLACK	SEE NOTE 2 (1)	SEE NOTE 2 (a)	FOR SHEET 2			
47151-6062															SEE NOTE 2 (2)	
47151-6082															SEE NOTE 2 (3)	
47151-6102	1.45	1.45	M3.0x0.5	14.25	11.28	WITH	W/O	WITH	W/O	BLACK	SEE NOTE 2 (1)	SEE NOTE 2 (a)			FOR SHEET 2	
47151-6172																SEE NOTE 2 (2)
47151-6162																SEE NOTE 2 (3)

SEE SHEET 1 EC NO: SH2010-0164 DRWN: XZHZHANG CHKD: GLLI APPR: XJ.SONG	2009/10/20 2009/10/21 2009/11/30	QUALITY SYMBOLS $F_A=0$ $F_C=0$ $F_P=0$	GENERAL TOLERANCES (UNLESS SPECIFIED)		DIMENSION STYLE MM ONLY		SCALE 1:1	DESIGN UNITS METRIC	THIRD ANGLE PROJECTION	
					DRAWN BY RZHANG	DATE 2004/07/20	TITLE 1.0 HDMI RIGHT ANGLE HEADER ASSEMBLY(19 PIN) LEAD FREE			
					CHECKED BY GRMA	DATE 2004/07/20	APPROVED BY YTYAP			
					MATERIAL NO. SEE TABLE		DATE 2004/07/20		MOLEX INCORPORATED	
DRAFT WHERE APPLICABLE MUST REMAIN WITHIN DIMENSIONS			SIZE A3		THIS DRAWING CONTAINS INFORMATION THAT IS PROPRIETARY TO MOLEX INCORPORATED AND SHOULD NOT BE USED WITHOUT WRITTEN PERMISSION					

ASSEMBLY P/N	DIMENSION					FEATURE				HOUSING COLOUR	GOLD PLATING IN CONTACT AREA	SHELL PLATING	REMARK
	DIM A	DIM B	DIM C	DIM D	DIM E	FLANGE	BACK COVER	TOP HOLES	MYLAR				
47151-1001	1.80	2.20	/	/	/	W/O	WITH	WITH	W/O	BLACK	SEE NOTE 2 (1)	SEE NOTE 2 (a)	FOR SHEET 3
47151-1041											SEE NOTE 2 (2)		
47151-1051											SEE NOTE 2 (3)		
47151-1003											SEE NOTE 2 (4)		
47151-1061									SEE NOTE 2 (1)				
47151-1071									SEE NOTE 2 (2)				
47151-1081									SEE NOTE 2 (3)				
47151-1011									SEE NOTE 2 (1)				
47151-1211									SEE NOTE 2 (2)				
47151-1311									SEE NOTE 2 (3)				
47151-1021									W/O	NATURE	SEE NOTE 2 (1)		
47151-1091											SEE NOTE 2 (3)		
47151-1031											SEE NOTE 2 (1)		
47151-1101									1.45	1.45	/		
47151-1141	SEE NOTE 2 (2)												
47151-1151	SEE NOTE 2 (3)												
47151-1111	SEE NOTE 2 (1)												
47151-1161	NATURE	SEE NOTE 2 (2)											
47151-1171		SEE NOTE 2 (3)											
47151-1121		SEE NOTE 2 (1)											
47151-1131		SEE NOTE 2 (1)											
47151-7102	1.45	1.45	M3.0x0.5	16.08	13.38	WITH	WITH	W/O	W/O	BLACK	SEE NOTE 2 (1)	SEE NOTE 2 (a)	FOR SHEET 5
47151-7142											SEE NOTE 2 (2)		
47151-7162											SEE NOTE 2 (3)		

SEE SHEET 1 EC NO: SH2010-0164 DRWN: XZHANG CH'KD: GLLI APPR: XJISONG 2009/10/20 2009/10/21 2009/11/30	QUALITY SYMBOLS $\nabla_A = 0$ $\nabla_B = 0$ $\nabla_C = 0$	GENERAL TOLERANCES (UNLESS SPECIFIED)		DIMENSION STYLE MM ONLY		SCALE 1:1	DESIGN UNITS METRIC	THIRD ANGLE PROJECTION			
			4 PLACES \pm --- \pm --- 3 PLACES \pm --- \pm --- 2 PLACES \pm 0.25 \pm --- 1 PLACE \pm 0.25 \pm ---	mm INCH	DRAWN BY RZHANG	DATE 2004/07/20	TITLE 1.0 HDMI RIGHT ANGLE HEADER ASSEMBLY(19 PIN) LEAD FREE				
		ANGULAR \pm 3 °		CHECKED BY GRMA		DATE 2004/07/20		APPROVED BY YTYAP			
		DRAFT WHERE APPLICABLE MUST REMAIN WITHIN DIMENSIONS		MATERIAL NO. SEE TABLE		DATE 2004/07/20		DOCUMENT NO. SD-47151-001		SHEET NO. 7 OF 8	

ASSEMBLY P/N	DIMENSION					FEATURE				HOUSING COLOUR	GOLD PLATING IN CONTACT AREA	SHELL PLATING	REMARK								
	DIM A	DIM B	DIM C	DIM D	DIM E	FLANGE	BACK COVER	TOP HOLES	MYLAR												
47151-1002	1.80	2.20	M3.0x0.5	16.08	13.38	WITH	WITH	WITH	W/O	BLACK	SEE NOTE 2 (1) SEE NOTE 2 (2) SEE NOTE 2 (3) SEE NOTE 2 (4)	SEE NOTE 2 (a)	FOR SHEET 4								
47151-1042																					
47151-1052																					
47151-1062																					
47151-2062																					
47151-1012									W/O	NATURE	SEE NOTE 2 (1) SEE NOTE 2 (2) SEE NOTE 2 (3)										
47151-1072																					
47151-1082																					
47151-1022														BLACK	SEE NOTE 2 (1)						
47151-1032																NATURE	SEE NOTE 2 (1)				
47151-1102	1.45	1.45	M3.0x0.5	16.08	13.38	WITH	WITH	WITH	W/O	BLACK	SEE NOTE 2 (1) SEE NOTE 2 (2) SEE NOTE 2 (3) SEE NOTE 2 (1)	SEE NOTE 2 (a)									
47151-1142																					
47151-1152																					
47151-1112																					
47151-1162													NATURE	SEE NOTE 2 (2) SEE NOTE 2 (3)							
47151-1172																					
47151-1122									BLACK	SEE NOTE 2 (1)											
47151-1132											NATURE				SEE NOTE 2 (1)						
47151-1005									1.80	2.20	4-40				16.08	13.38	WITH	WITH	WITH	W/O	BLACK
47151-1045																					
47151-1065																					
47151-1015																					
47151-1035	WITH	BLACK	SEE NOTE 2 (1) SEE NOTE 2 (2) SEE NOTE 2 (3) SEE NOTE 2 (1) SEE NOTE 2 (2) SEE NOTE 2 (3)																		
47151-1055																					
47151-1025																					
47151-1075																					
47151-1085																					
47151-1026	1.80	2.20	M3.0x0.5	14.25	11.28	WITH	WITH	WITH				W/O	BLACK	SEE NOTE 2 (1) SEE NOTE 2 (2) SEE NOTE 2 (3)						SEE NOTE 2 (a)	
47151-6012																					
47151-6042																					
47151-6052									WITH	BLACK	SEE NOTE 2 (1) SEE NOTE 2 (2) SEE NOTE 2 (3)										
47151-6022																					
47151-6032																					
47151-6112												W/O	BLACK	SEE NOTE 2 (1) SEE NOTE 2 (2)							
47151-6142																					
47151-6152																					

SEE SHEET 1 EC NO: SH2010-0164 DRWN: XZHUANG 2009/10/20 CH'KD: GLLI 2009/10/21 APPR: XJISONG 2009/11/30	QUALITY SYMBOLS $F_{\Delta} = 0$ $F_{\Delta} = 0$ $F_{\Delta} = 0$	GENERAL TOLERANCES (UNLESS SPECIFIED)		DIMENSION STYLE MM ONLY		SCALE 1:1	DESIGN UNITS METRIC	THIRD ANGLE PROJECTION	
				mm INCH	DRAWN BY RZHANG	DATE 2004/07/20	TITLE 1.0 HDMI RIGHT ANGLE HEADER ASSEMBLY(19 PIN) LEAD FREE		
				4 PLACES ± --- ± --- 3 PLACES ± --- ± --- 2 PLACES ± 0.25 ± --- 1 PLACE ± 0.25 ± ---	CHECKED BY GRMA	DATE 2004/07/20	MOLEX INCORPORATED		
				ANGULAR ± 3 °	APPROVED BY YTYAP	DATE 2004/07/20	MATERIAL NO. SEE TABLE	DOCUMENT NO. SD-47151-001	SHEET NO. 8 OF 8
		DRAFT WHERE APPLICABLE MUST REMAIN WITHIN DIMENSIONS		THIS DRAWING CONTAINS INFORMATION THAT IS PROPRIETARY TO MOLEX INCORPORATED AND SHOULD NOT BE USED WITHOUT WRITTEN PERMISSION					