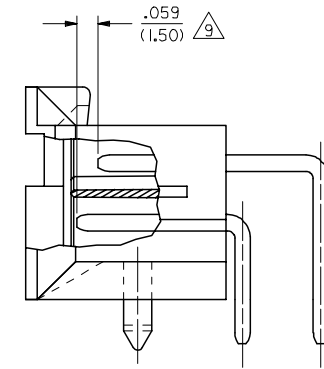
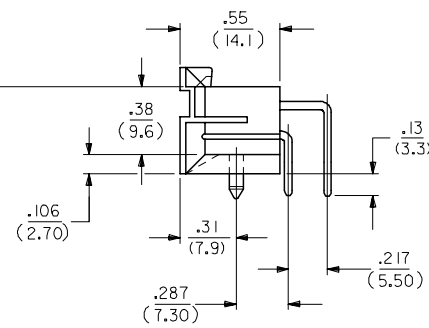
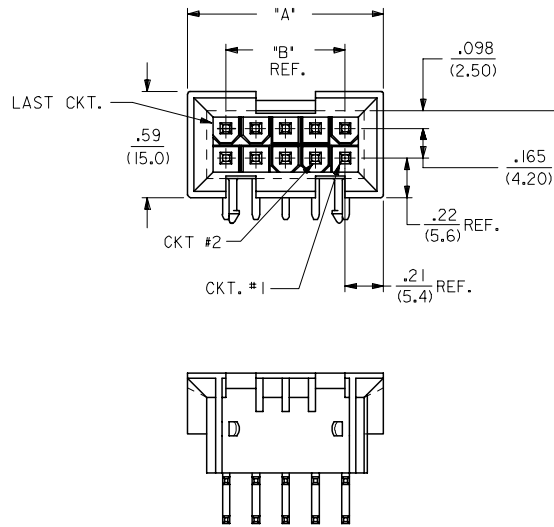
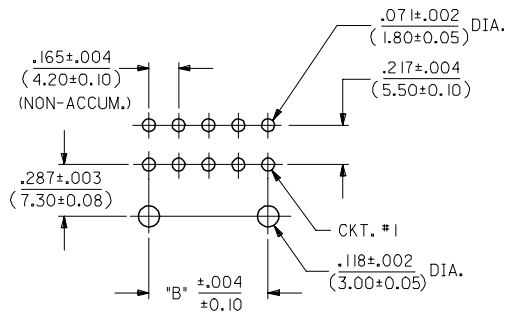
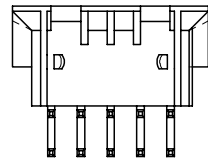


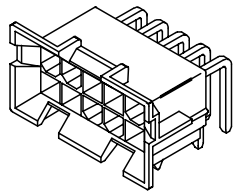
CIRCUIT SIZE	DIM. 'A'	DIM. 'B'
2	—	—
4	.59 (15.0)	.165 (4.20)
6	.76 (19.2)	.331 (8.40)
8	.92 (23.4)	.496 (12.60)
10	1.09 (27.6)	.661 (16.80)
12	1.25 (31.8)	.827 (21.00)
14	1.42 (36.0)	.992 (25.20)
16	1.58 (40.2)	1.157 (29.40)
18	1.75 (44.4)	1.323 (33.60)
20	1.91 (48.6)	1.488 (37.80)
22	2.08 (52.8)	1.654 (42.00)
24	2.24 (57.0)	1.819 (46.20)



SCALE 4:1



RECOMMENDED HOLE LAYOUT FOR
.070/(1.78) MAX. THICK P.C. BOARD
VIEWED FROM COMPONENT SIDE



A-44499-*

NOTES:

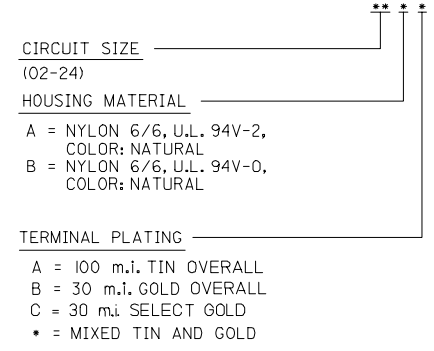
- MATERIAL:
HOUSING: "A" = NYLON 6/6, UL 94V-2, COLOR: NATURAL
"B" = NYLON 6/6, UL 94V-0, COLOR: NATURAL
TERMINALS: BRASS
- TERMINAL PLATING:
A = .000100/(.00254) MIN. BRIGHT TIN OVER
.000050/(.00127) MIN. NICKEL OVERALL.
B = .000030/(.00076) MIN. GOLD OVER
.000050/(.00127) MIN. NICKEL OVERALL.
C = .000030/(.00076) MIN. SELECT GOLD AND
.000100/(.00254) MIN. MATTE TIN OVER
.000050/(.00127) MIN. NICKEL OVERALL.
- PRODUCT SPECIFICATION: PS-5556-002
- PACKAGING: TRAY PACKED PER MOLEX SPECIFICATION PK-42404-002.
- PART MATES WITH MINI-FIT JR. RECEPTACLE 42385 AND 42474.
- PART ALLOWS FOR UP TO .100/(2.54) MISALIGNMENT WITH MATING RECEPTACLE IN ANY DIRECTION. SEE MATING CONNECTOR DRAWINGS FOR SPECIFIC ALLOWANCES.
- PART IS NOT DESIGNED FOR CURRENT SHARING.
- CONNECTOR ASSEMBLIES ARE NOT TO BE MATED OR UNMATED WHILE CIRCUITS ARE LIVE.
- CIRCUITS SHOWN PROVIDE THE "MAKE-FIRST/BREAK-LAST" FEATURE.
- PART CONFORMS TO CLASS B OF COSMETIC SPECIFICATION PS-45499-002.

4	C1
3	C1
2	C1
1	C1
SHT.	REV.

ADD P/N	FEC NO.	DRAWN BY	DATE	TITLE	GENERAL TOLERANCES (UNLESS SPECIFIED)		DIMENSION STYLE		SCALE	DESIGN UNITS	THIRD ANGLE PROJECTION
					mm	INCH	IN/MM	METRIC			
44499-0099	UCP2007-2017	AFG	09/13/94	SELECTIVELY-LOADED RT ANGLE DUAL ROW HEADER (MATE-FIRST/BREAK-LAST)	4 PLACES	± .010	IN/MM	2:1	METRIC	⊕	
2007/02/15	2007/02/16	RJF	09/13/94	MOLEX INCORPORATED	3 PLACES	± .015					
2007/02/16	2007/02/16	RJF	09/13/94		2 PLACES	± 0.25					
2007/02/16	2007/02/16	RJF	09/13/94		1 PLACE	± 0.38					
					ANGULAR ±1/2°						
DRAFT WHERE APPLICABLE MUST REMAIN WITHIN DIMENSIONS					SEE CHART		MATERIAL NO.		DOCUMENT NO.		SHEET NO.
							SDA-44499-*				1 OF 4
THIS DRAWING CONTAINS INFORMATION THAT IS PROPRIETARY TO MOLEX INCORPORATED AND SHOULD NOT BE USED WITHOUT WRITTEN PERMISSION											

		13	12	11	10	9	8	7	6	5	4	3	2	1														
	ITEM NO.	CKT. SIZE	CHARACTERISTIC DESCRIPTION	LETTER INDICATES PIN PLATING AND LENGTH REQUIRED AT EACH CIRCUIT LOCATION. SEE NOTE 2 ON SHEET 1.																								
				I	2	3	4	5	6	7	8	9	10	11	12	13	14	15	16	17	18	19	20	21	22	23	24	
J	X 44499-0001	I4	I4AB	BM	BS	BS	BS	BS	BS	BS	BS	BS	BS	BS	BS	BS	BS	BS	BS	BS	BS	BS	BS	BS	BS	BS	BS	
	X 44499-0002	I4	I4BB	BM	BS	BS	BS	BS	BS	BS	BS	BS	BS	BS	BS	BS	BS	BS	BS	BS	BS	BS	BS	BS	BS	BS	BS	
	44499-0003	I4	I4BA	AM	AM	AM	AM	AM	AM	AM	AS	AS	AS	AS	AS	AS	AS	AS	AS	AS	AS	AS	AS	AS	AS	AS	AS	
I	X 44499-0004	I4	I4AA	AM	AM	AM	AM	AM	AM	AM	AS	AS	AS	AS	AS	AS	AS	AS	AS	AS	AS	AS	AS	AS	AS	AS	AS	
	44499-0005	24	24BB	BM	BM	BM	BM	BM	BM	BM	BM	BM	BS	BM	BM	BM	BM	BM	BM	BM	BM	BM	BM	BM	BM	BM	BM	
	X 44499-0006	O4	O4BB	BS	BM	BM	BS	-	-	-	-	-	-	-	-	-	-	-	-	-	-	-	-	-	-	-	-	
H	44499-0007	O6	O6AA	AM	AM	AM	AM	AM	AM	-	-	-	-	-	-	-	-	-	-	-	-	-	-	-	-	-	-	
	44499-0008	I0	I0AA	AS	AS	AS	AM	AS	AS	AS	AS	AS	AS	AS	AS	AS	AS	AS	AS	AS	AS	AS	AS	AS	AS	AS	AS	
	44499-0009	24	24AA	AM	AM	AM	AM	AM	AM	AM	AM	AM	AM	AM	AM	AM	AM	AM	AM	AM	AM	AM	AM	AM	AM	AM	AM	AM
G	44499-0010	I4	I4BA	AM	AM	AM	AM	AM	AM	AM	AM	AM	AM	AM	AM	AM	AM	AM	AM	AM	AM	AM	AM	AM	AM	AM	AM	AM
	44499-0011	24	24BB	V	BM	BS	BS	V	BS	BS	BS	BS	BS	BS	BS	BS	V	BM	BS	BS	V	BS	BS	BS	BS	BS	BS	
	44499-0012	24	24BA	AS	AS	AS	AS	AS	AS	AS	AS	AS	AM	AS	AS	AS	AS	AS	AS	AS	AS	AS	AS	AS	AM	AS	AS	
F	44499-0013	24	24BB	V	BM	BM	BM	V	BM	BM	BM	BM	BS	BM	BM	V	BM	BM	BM	V	BM	BM	BM	BM	BM	BM	BM	BM
	44499-0014	I8	I8AA	AM	AM	AM	AM	AM	AM	AM	AM	AM	AM	AM	AM	AM	AM	AM	AM	AM	AM	AM	AM	AM	AM	AM	AM	AM
	44499-0015	I8	I8AB	BM	BM	BM	BM	BM	BM	BM	BM	BM	BM	BM	BM	BM	BM	BM	BM	BM	BM	BM	BM	BM	BM	BM	BM	BM
E	44499-0016	I8	I8BA	AM	AM	AM	AM	AM	AM	AM	AM	AM	AM	AM	AM	AM	AM	AM	AM	AM	AM	AM	AM	AM	AM	AM	AM	AM
	44499-0017	I8	I8BB	BM	BM	BM	BM	BM	BM	BM	BM	BM	BM	BM	BM	BM	BM	BM	BM	BM	BM	BM	BM	BM	BM	BM	BM	BM
	44499-0018	24	24AA	AM	AM	AM	AM	AM	AS	AM	AM	AM	AM	AM	AM	AM	AM	AM	AM	AM	AM	AM	AM	AM	AM	AM	AM	AM
D	44499-0019	24	24AA	AS	AS	AM	AS	AS	AS	AS	AS	AS	AS	AS	AS	AS	AS	AS	AS	AS	AS	AS	AS	AS	AS	AS	AS	AS
	44499-0020	I8	I8BA	AM	AM	AM	AM	AM	AM	AM	AM	AM	AM	AM	AM	AM	AM	AM	AM	AM	AM	AM	AM	AM	AM	AM	AM	AM
	44499-0021	24	24BA	AS	AS	AS	AS	AS	AS	AS	AS	AS	AS	AS	AS	AM	AS	AS	AS	AS	AS	AS	AS	AS	AS	AS	AS	AS
C	44499-0022	24	24B*	AM	AM	AM	AM	BM	BM	BM	BM	AM	AM	AM	AM	AS	AS	AM	AM	AM	BM	BM	BM	BM	AM	AM	AM	AM
	44499-0023	I8	I8BB	BM	BM	BM	BM	BM	BM	BM	BM	BM	BM	BM	BM	BM	BM	BM	BM	BM	BS	-	-	-	-	-	-	-
	44499-0024	I0	I0BA	AS	AS	AS	AS	AS	AM	AS	AS	AS	AS	AS	-	-	-	-	-	-	-	-	-	-	-	-	-	
B	44499-0025	24	24AA	AS	AS	AS	AM	AM	AM	AM	AS	AS	AS	AS	AS	AS	AS	AM	AM	AM	AM	AM	AS	AS	AS	AS	AS	AS
	44499-0026	I0	I0AA	AM	AS	AS	AS	AS	AM	AS	AS	AS	AS	AS	-	-	-	-	-	-	-	-	-	-	-	-	-	
	44499-0027	I0	I0BA	AS	AM	AM	AM	AM	AM	AM	AM	AM	AM	AM	-	-	-	-	-	-	-	-	-	-	-	-	-	
A	44499-0028	24	24BA	V	AS	AM	AS	V	AM	AM	AM	AM	AS	AM	AM	V	AS	AM	AS	V	AM	AM	AM	AM	AM	AM	AM	AM
	44499-0029	24	24BA	AM	AM	AM	AM	AM	AM	AM	AM	AM	AM	AM	AM	AM	AM	AM	AM	AM	AM	AM	AM	AM	AM	AM	AM	AM
	44499-0030	24	24A*	AM	AM	AM	AM	BM	BM	BM	BM	AM	AM	AM	AM	AS	AS	AM	AM	BM	BM	BM	BM	AM	AM	AM	AM	AM
A	44499-0031	24	24BB	V	BS	BM	BS	V	BM	BM	BM	BM	BS	BM	BM	V	BS	BM	BS	V	BM	BM	BM	BM	BM	BM	BM	BM
	44499-0032	I4	I4BA	AS	AS	AS	AS	AM	AS	AS	AS	AS	AS	AS	AS	AS	-	-	-	-	-	-	-	-	-	-	-	
	44499-0033	24	24AA	AS	AM	AM	AM	AM	AM	AS	AM	AM	AM	AM	AM	AS	AM	AM	AM	AM	AM	AM	AM	AM	AM	AM	AM	AM
A	44499-0034	24	24A*	AS	AS	AS	AS	AS	BS	BS	BS	BS	BS	BS	BS	AS	AS	AS	AS	AS	BS	BS	BS	BS	BS	BS	BS	BS
	44499-0035	O4	O4BB	BM	BM	BM	BM	-	-	-	-	-	-	-	-	-	-	-	-	-	-	-	-	-	-	-	-	

CHARACTERISTICS LEGEND:



TERMINAL PLATING AND LENGTH CODE
 AS = 100 m.i. TIN, STANDARD LENGTH
 BS = 30 m.i. GOLD, STANDARD LENGTH
 CS = 30 m.i. SELECT GOLD, STANDARD LENGTH
 AM = 100 m.i. TIN, MATE-FIRST/BREAK-LAST
 BM = 30 m.i. GOLD, MATE-FIRST/BREAK-LAST
 CM = 30 m.i. SELECT GOLD, MATE-FIRST/BREAK-LAST
 V = VOID CIRCUIT

SEE SHEET ONE FC NO: UCP2007-2017 DRAWN: LSCHM IDT 2007/02/15 CHKD: ADERR 2007/02/16 APPR: FSW TH 2007/02/16 REV: C1	QUALITY SYMBOLS 	GENERAL TOLERANCES (UNLESS SPECIFIED) <table border="1"> <tr> <th></th> <th>mm</th> <th>INCH</th> </tr> <tr> <td>4 PLACES</td> <td>±---</td> <td>±---</td> </tr> <tr> <td>3 PLACES</td> <td>±---</td> <td>±---</td> </tr> <tr> <td>2 PLACES</td> <td>±---</td> <td>±---</td> </tr> <tr> <td>1 PLACE</td> <td>±---</td> <td>±---</td> </tr> <tr> <td colspan="3">ANGULAR ±---°</td> </tr> </table>		mm	INCH	4 PLACES	±---	±---	3 PLACES	±---	±---	2 PLACES	±---	±---	1 PLACE	±---	±---	ANGULAR ±---°			DIMENSION STYLE IN/MM	SCALE ---	DESIGN UNITS INCH	THIRD ANGLE PROJECTION
		mm	INCH																					
4 PLACES	±---	±---																						
3 PLACES	±---	±---																						
2 PLACES	±---	±---																						
1 PLACE	±---	±---																						
ANGULAR ±---°																								
DRAFT WHERE APPLICABLE MUST REMAIN WITHIN DIMENSIONS		DRAWN BY RJF DATE 09/13/94 CHECKED BY RJF DATE 09/13/94 APPROVED BY RAS DATE 09/13/94	TITLE SELECTIVELY-LOADED RT. ANGLE DUAL ROW HEADER (MATE-FIRST/BREAK-LAST)	MOLEX INCORPORATED	MATERIAL NO. SDA-44499-*	DOCUMENT NO. SDA-44499-*	SHEET NO. 2 OF 4																	