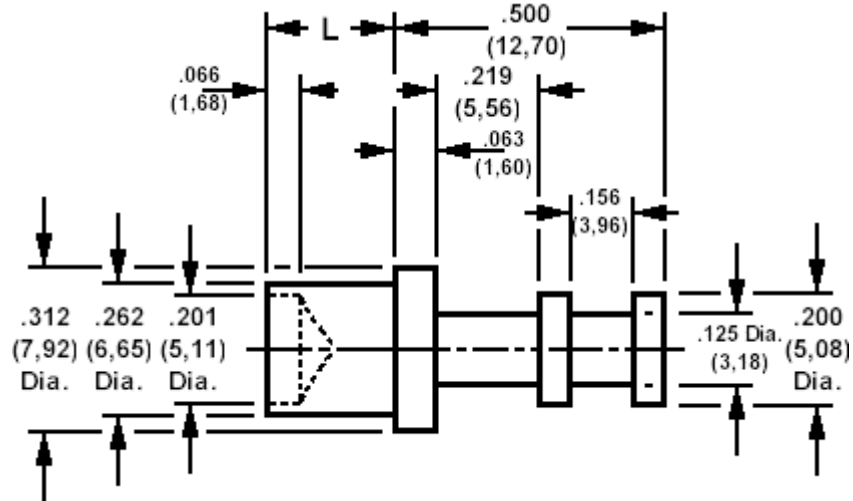


## 160-2110 Solder terminal, turreted

Recommended mounting hole .266 (6,75), 17/64" drill



### How to order code

**160-2110-XX-YY-00**

Basic Part No XX = L dimension, YY = Plating Finish

DIMENSIONS (XX)			
Basic Part No	(XX)	L	Board Thickness
160-2110	-02	.109 (2,77)	.062 (1,59)
	-03	.140 (3,56)	.094 (2,38)
	-04	.172 (4,37)	.125 (3,18)

MATERIALS			
Component	Material	Finish (YY)	
		-01	-05
Terminal	Brass	Silver	Electro Solder

SWAGE TOOLING	
Recommended Swaging Tools:-	
Anvil	435-6431-01-00-00
Roll punch	435-6631-02-00-00
Four point punch	435-6631-01-00-00