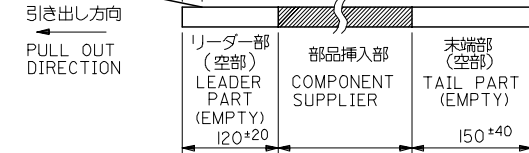
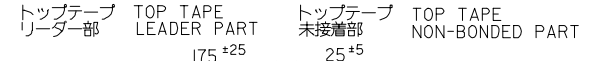


注記 NOTES

1. 梱包数量：1000個/リール NUMBER OF CONNECTORS:1000PCS/REEL

2. リードテープ長さ LEAD TAPE LENGTH



3. トップテープの剥離強度：(剥離方向は下図参照)

0.1N~1.3N {10gf~130gf}

尚、本規格値は、出荷時に適用。

(但し、輸送時に剥離が発生しない事。)

PEELING OFF FORCE OF TOP TAPE

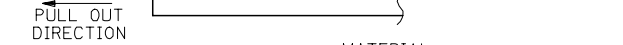
0.1N~1.3N {10gf~130gf}

(PEELING DIRECTION AS SHOWN IN FOLLOWING FIG.)

THIS REQUIREMENT SHOULD BE APPLIED AT SHIPMENT

PEEL OFF SHOULD NOT BE ALLOWED,

DURING TRANSPORTATION



4. 材料

キャリアテープ：ポリプロピレン (PP)

トップテープ：PET, PE, PEF

リール：ポリスチレン (PS)

<リサイクル材を含む>

MATERIAL  
CARRIER TAPE:POLYPROPYLENE  
TOP TAPE:PET,PE,PEF  
REEL:POLYSTYRENE(PS)  
<RECYCLE MATERIAL  
CONTAINED>

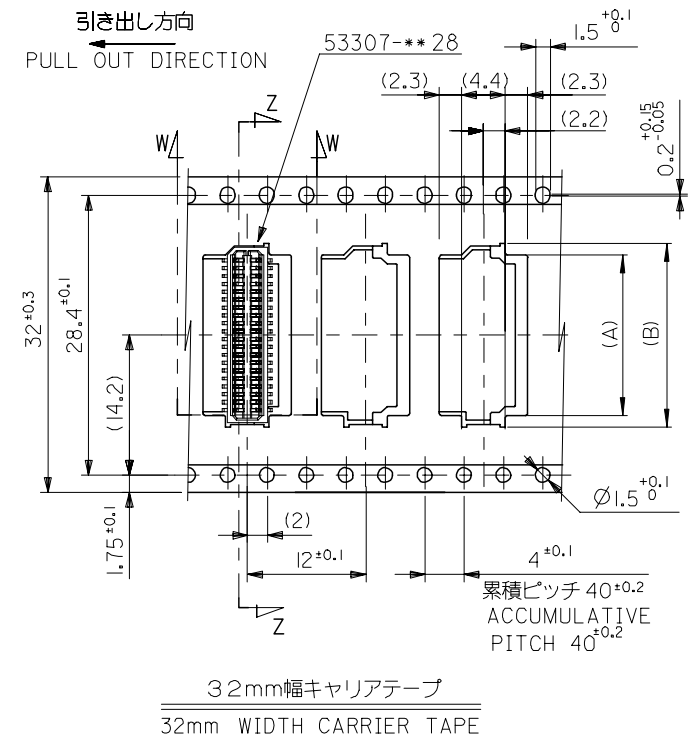
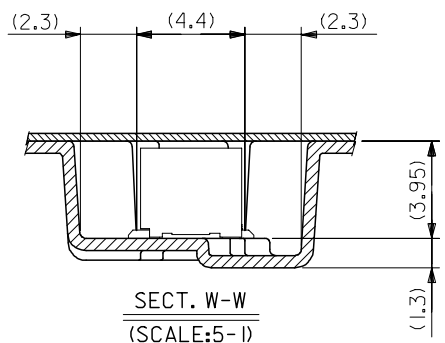
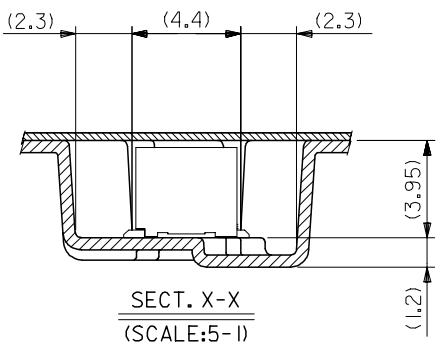
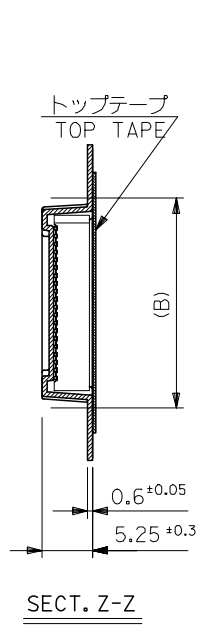
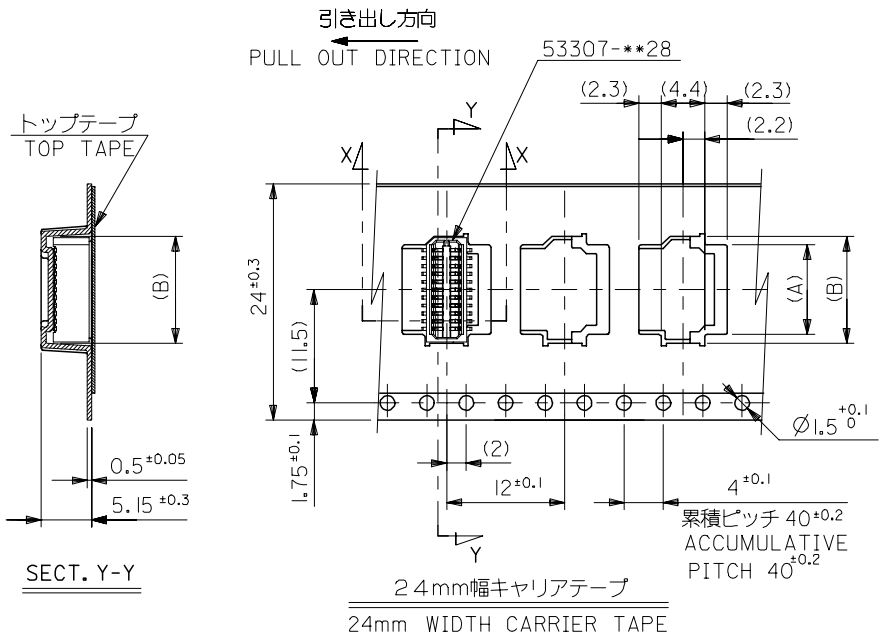
5. 本製品は 53307-\*\*\*91 の鉛フリー品である。

THIS PRODUCT IS LEAD FREE OF 53307-\*\*\*91

53307-***71 MODEL.NO.	キャリアテープ幅 CARRIER TAPE WIDTH	D	C	(B)	(A)	9.3	7.5	53307-1871	18
						8.5	6.7	53307-1671	16
						7.7	5.9	53307-1471	14
						6.9	5.1	53307-1271	12
						6.1	4.3	53307-1071	10
				(B)	(A)	MATERIAL. NO.			極数 CIRCUIT

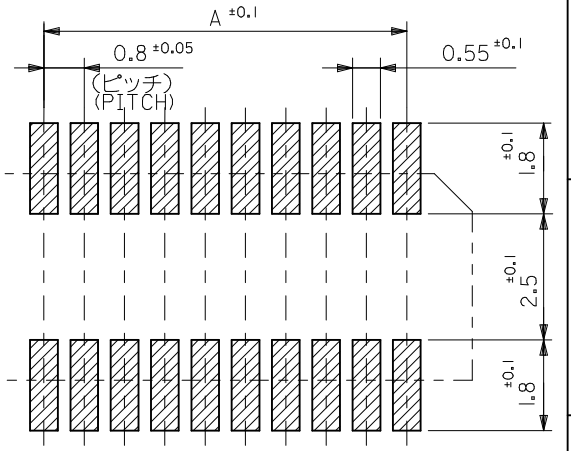
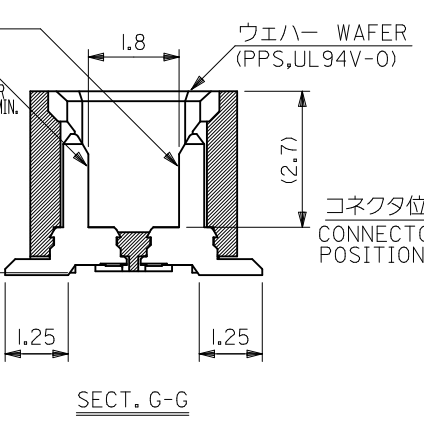
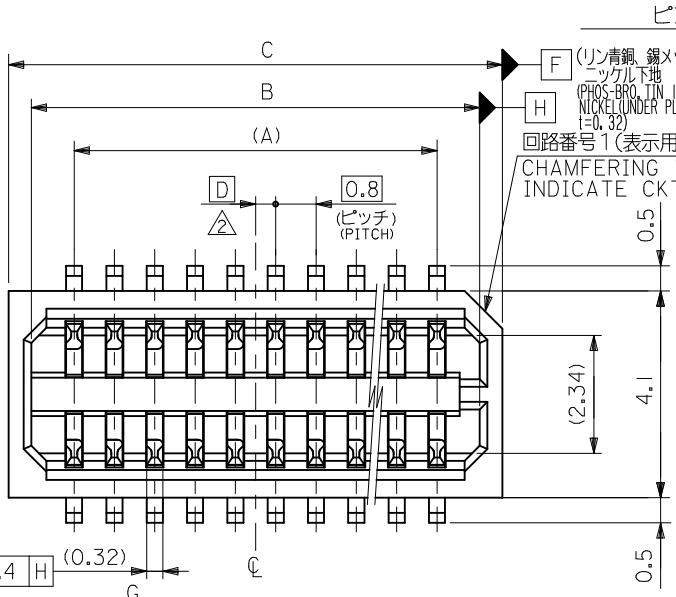
REVISED EC NO: J2006-0187 DRWN: OTANI CHKD: NUKITA APPR: NUKITA	DESCRIPTION 2005/08/01 2005/08/02 2005/08/18	GENERAL TOLERANCES (UNLESS SPECIFIED)		DIMENSION STYLE MM ONLY		SCALE ---	DESIGN UNITS METRIC	THIRD ANGLE PROJECTION		
		10 UNDER	±0.2	DRAWN BY	DATE	TITLE				
		10 OVER 30 UNDER	±0.25	HSHIMABUKURO	2004/02/09	0.8 B-TO-B WAFER ASSY SMT EMBSTP PKG -LEAD FREE-				
		30 OVER	±0.3	CHECKED BY	DATE	MOLEX MOLEX INCORPORATED				
		ANGULAR	±3 °	KTOJO	2004/02/09	MATERIAL NO. SEE CHART DOCUMENT NO. SD-53307-014 SHEET NO. 1 OF 2				
DRAFT WHERE APPLICABLE MUST REMAIN WITHIN DIMENSIONS		SIZE A3		THIS DRAWING CONTAINS INFORMATION THAT IS PROPRIETARY TO MOLEX INCORPORATED AND SHOULD NOT BE USED WITHOUT WRITTEN PERMISSION						

10 9 8 7 6 5 4 3 2 1



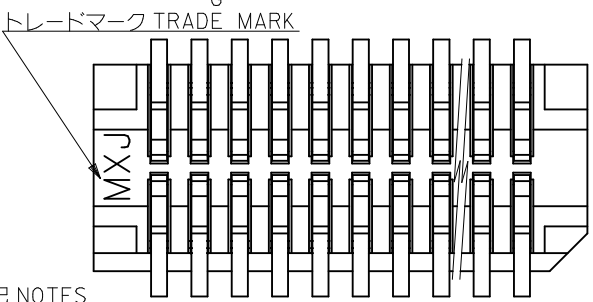
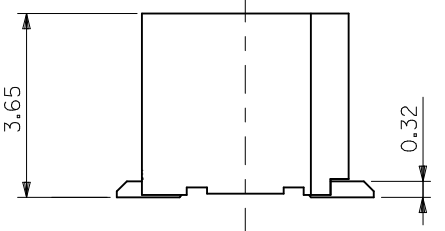
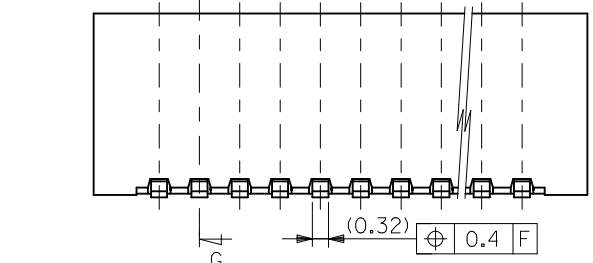
32	37.4	33.4	18.1	16.3	53307-4071	40	
24	29.4	25.4	16.5	14.7	53307-3671	36	
			15.7	13.9	53307-3471	34	
			14.1	12.3	53307-3071	30	
			13.3	11.5	53307-2871	28	
			12.5	10.7	53307-2671	26	
			11.7	9.9	53307-2471	24	
			10.9	9.1	53307-2271	22	
			10.1	8.3	53307-2071	20	
53307-***71	キャリアテープ幅	D	C	(B)	(A)	MATERIAL. NO.	極数
MODEL NO.	CARRIER TAPE WIDTH						CIRCUIT

REVISED EC NO: J2006-0187 DRWN: OTANI CHK: NUKITA APPR: NUKITA 2005/08/01 2005/08/02 2005/08/18	GENERAL TOLERANCES (UNLESS SPECIFIED)		DIMENSION STYLE MM ONLY		SCALE ---	DESIGN UNITS METRIC	THIRD ANGLE PROJECTION
	10 UNDER	±0.2	DRAWN BY HSHIMABUKURO	DATE 2004/02/09	TITLE 0.8 B-TO-B WAFER ASSY SMT EMBSTP PKG -LEAD FREE-		
	10 OVER 30 UNDER	±0.25	CHECKED BY KTOJO	DATE 2004/02/09	MOLEX INCORPORATED		
	30 OVER	±0.3	APPROVED BY MSASAO	DATE 2004/02/09	MATERIAL NO. SEE CHART		
	ANGULAR	±3 °	MATERIAL NO. SEE CHART		DOCUMENT NO. SD-53307-014	SHEET NO. 2 OF 2	
DRAFT WHERE APPLICABLE MUST REMAIN WITHIN DIMENSIONS		THIS DRAWING CONTAINS INFORMATION THAT IS PROPRIETARY TO MOLEX INCORPORATED AND SHOULD NOT BE USED WITHOUT WRITTEN PERMISSION					



参考基板レイアウト (マウント面)  
P.C.B. PATTERN LAYOUT (REF.) (MOUNT AREA)

0.4	17.8	16.9	15.2	53307-4028	40
0.8	17.0	16.1	14.4	-3828	38
0.4	16.2	15.3	13.6	-3628	36
0.8	15.4	14.5	12.8	-3428	34
0.4	14.6	13.7	12.0	-3228	32
0.8	13.8	12.9	11.2	-3028	30
0.4	13.0	12.1	10.4	-2828	28
0.8	12.2	11.3	9.6	-2628	26
0.4	11.4	10.5	8.8	-2428	24
0.8	10.6	9.7	8.0	-2228	22
0.4	9.8	8.9	7.2	-2028	20
0.8	9.0	8.1	6.4	-1828	18
0.4	8.2	7.3	5.6	-1628	16
0.8	7.4	6.5	4.8	-1428	14
0.4	6.6	5.7	4.0	-1228	12
0.8	5.8	4.9	3.2	53307-1028	10



注記 NOTES

- 1 嵌合相手: 52465,52588  
MATE WITH: 52465,52588 SERIES
- 2 ウエハーの  $\phi$  から隣接するピンの  $\phi$  迄の位置を示す。  
SHOW POSITION FROM  $\phi$  OF WAFER TO  $\phi$  OF ADJACENT PINS.
- 3 本製品は 53307-\*\*-27 の鉛フリー品である。  
THIS PRODUCT IS LEAD FREE OF 53307-\*\*-27

REVISED EC NO: J2010-1410 DRWN: TOSHIMA 2010/01/12 CHKD: SMARUYAMA 2010/01/12 APPR: MSASAO 2010/01/20	DESCRIPTION	GENERAL TOLERANCES (UNLESS SPECIFIED)		DIMENSION STYLE MM ONLY		SCALE ---	DESIGN UNITS METRIC		MATERIAL NO. 極数 CKT.	
		10 UNDER	±0.2	DRAWN BY DATE HSHIMABUKURO 2004/02/09		TITLE 0.8 B/B CONN WAFER ASSY ST SMT -LEAD FREE-				
		10 OVER 30 UNDER	±0.25	CHECKED BY DATE KTOJO 2004/02/09		APPROVED BY DATE MSASAO 2004/02/09				
		30 OVER	±0.3	APPROVED BY DATE MSASAO 2004/02/09		MATERIAL NO. DOCUMENT NO. 53307-**-28 MODEL NO. D C B A SD-53307-015				
D	REV	ANGULAR ±3 ° DRAFT WHERE APPLICABLE MUST REMAIN WITHIN DIMENSIONS		SIZE A3		SHEET NO. 1 OF 2				

10 9 8 7 6 5 4 3 2 1

F

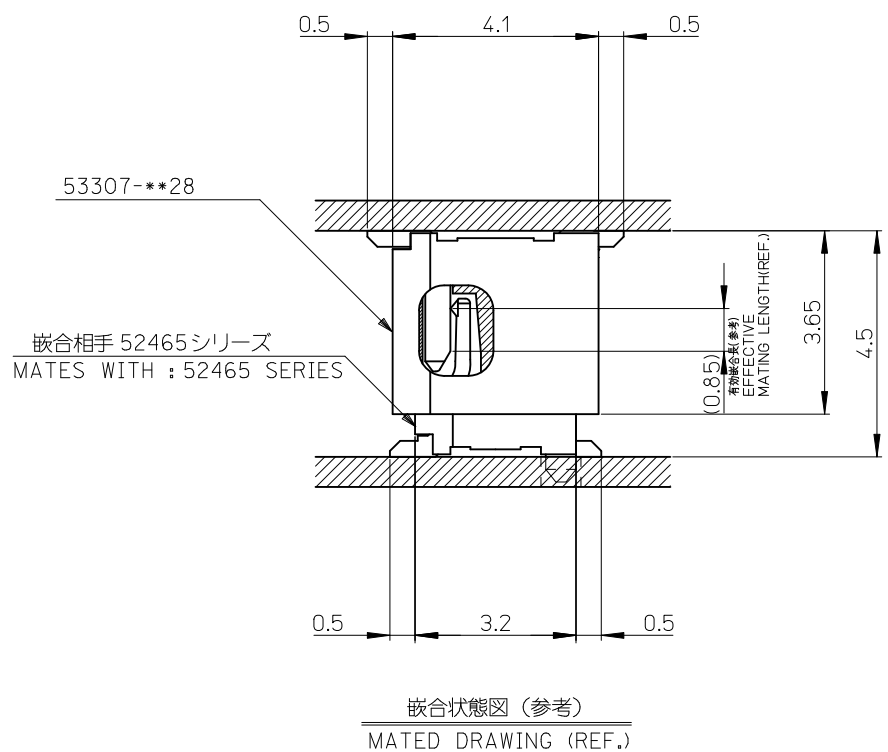
E

D

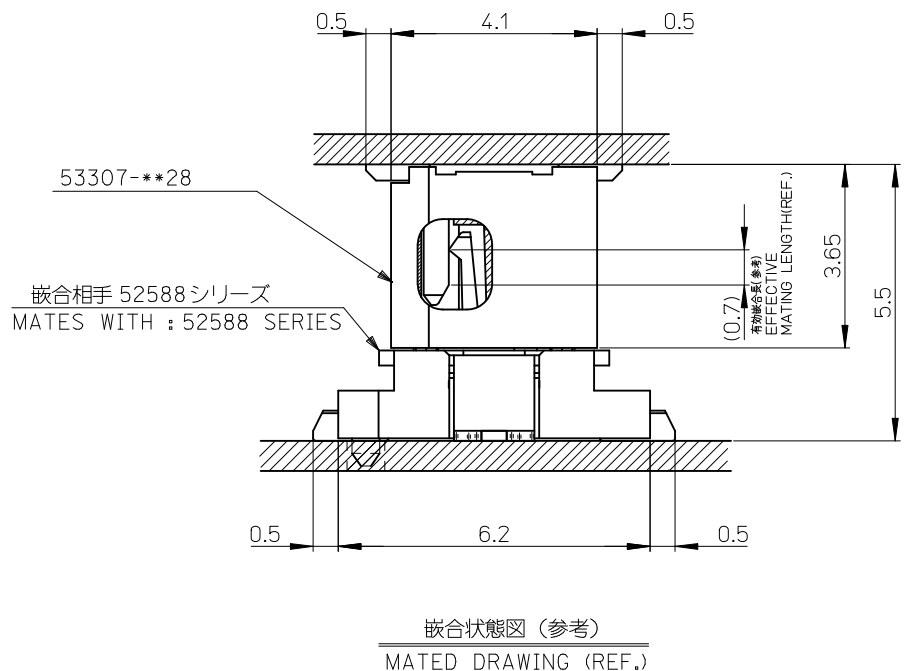
C

B

A



嵌合状態図 (参考)  
MATED DRAWING (REF.)



嵌合状態図 (参考)  
MATED DRAWING (REF.)

53307-\*\*\*28 MODEL NO.

REVISED EC NO: J2010-1410 DRWN: TOSHIMA 2010/01/12 CHKD: SMARUYAMA 2010/01/12 APPR: MSASAO 2010/01/20	DESCRIPTION 0.8 B/B CONN WAFER ASSY ST SMT -LEAD FREE-	GENERAL TOLERANCES (UNLESS SPECIFIED)		DIMENSION STYLE MM ONLY		SCALE ---	DESIGN UNITS METRIC	THIRD ANGLE PROJECTION	
		10 UNDER	±0.2	DRAWN BY HSHIMABUKURO	DATE 2004/02/09	TITLE			
		10 OVER 30 UNDER	±0.25	CHECKED BY KTOJO	DATE 2004/02/09	0.8 B/B CONN WAFER ASSY ST SMT -LEAD FREE-			
		30 OVER	±0.3	APPROVED BY MSASAO	DATE 2004/02/09	MOLEX INCORPORATED			
		ANGULAR ±3°		MATERIAL NO. © SEE CHART	DOCUMENT NO. SD-53307-015	SHEET NO. 2 OF 2			
DRAFT WHERE APPLICABLE MUST REMAIN WITHIN DIMENSIONS		SIZE A3	THIS DRAWING CONTAINS INFORMATION THAT IS PROPRIETARY TO MOLEX INCORPORATED AND SHOULD NOT BE USED WITHOUT WRITTEN PERMISSION						