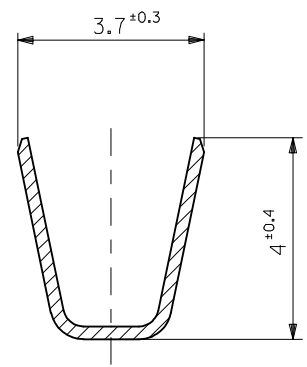
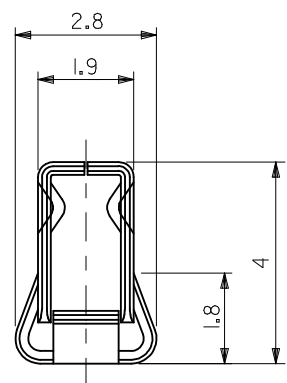


SECT.A-A



SECT.B-B

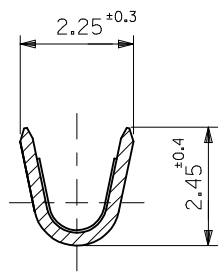
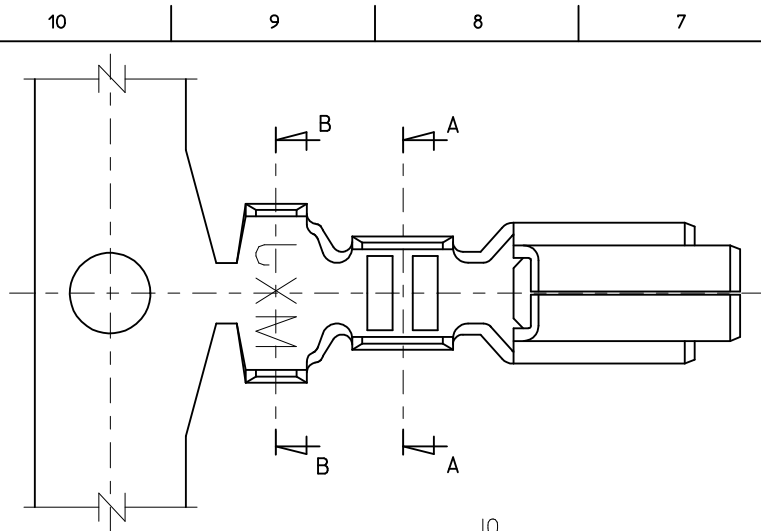


注記 NOTES

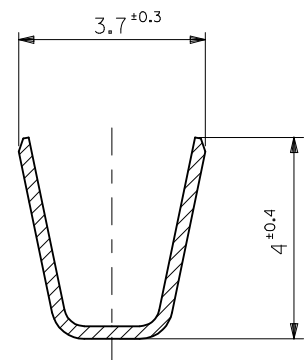
1. 適合ハウジング：51144-***00
 APPLICABLE HOUSING : 51144-***00

リン青銅，錫メッキ PHOS. BRO. PRE-TINNED (t=0.254)	50539-8100	バラ状 LOOSE
	50539-8000	連鎖状 CHAIN
黄銅，錫メッキ BRASS PRE-TINNED (t=0.254)	50539-9001	連鎖状 CHAIN
材 料 MATERIAL	MATERIAL NO.	端子形状 FORM
MODEL NO. 50539-****		

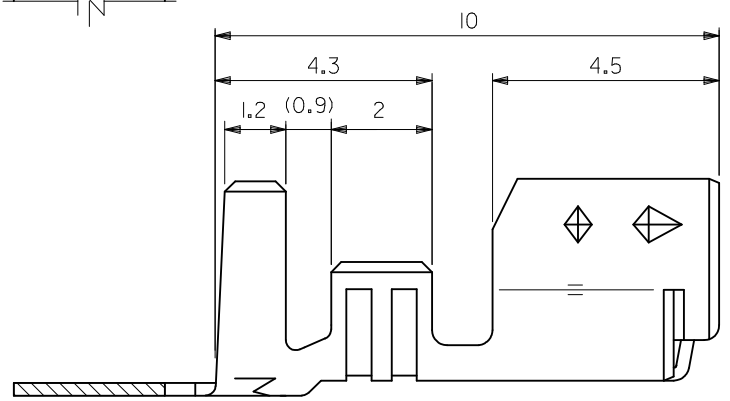
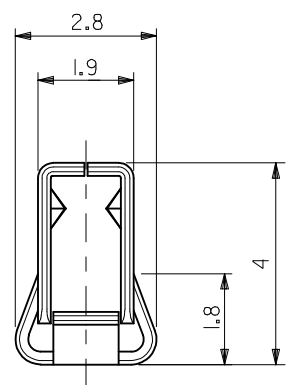
REVISED EC NO: J2009-1311 DRWN: KAKURAA 2008/12/16 CHKD: T. HARUYAMA 2008/12/16 APPR: NUKITA 2009/01/16	GENERAL TOLERANCES (UNLESS SPECIFIED)		DIMENSION STYLE MM ONLY		SCALE ---	DESIGN UNITS METRIC	THIRD ANGLE PROJECTION
	10 UNDER	± 0.2	DRAWN BY TNIITSU	DATE '94/11/7	TITLE 3.96 WIRE TO BOARD CONN CRIMP RECEPTACLE		
	10 OVER 30 UNDER	± 0.25	CHECKED BY SKUNISHI	DATE '95/07/28	MOLEX INCORPORATED		
	30 OVER	± 0.3	APPROVED BY MFUKUSHIMA	DATE '95/07/28	DOCUMENT NO. SD-50539-001	SHEET NO. 1 OF 1	
	ANGULAR ± 3 °	DRAFT WHERE APPLICABLE MUST REMAIN WITHIN DIMENSIONS		SEE TABLE			
		THIS DRAWING CONTAINS INFORMATION THAT IS PROPRIETARY TO MOLEX INCORPORATED AND SHOULD NOT BE USED WITHOUT WRITTEN PERMISSION					



SECT.A-A



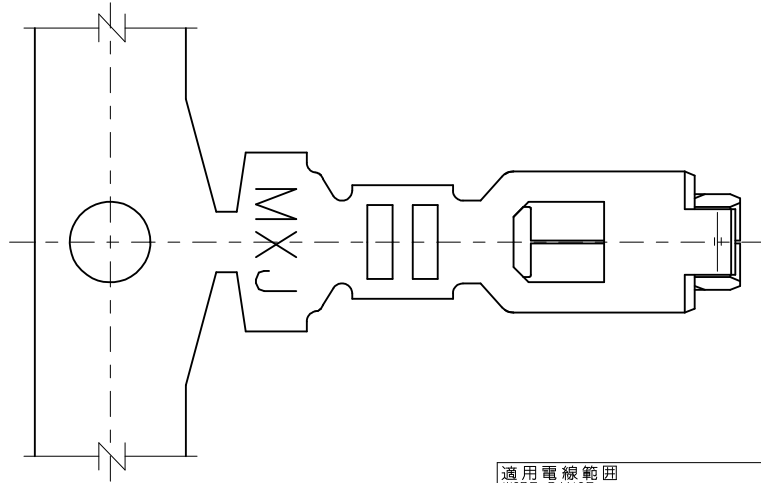
SECT.B-B



注記 NOTES

1. 適合ハウジング : 51129-***0
 51144-***0
 APPLICABLE HOUSING : 51129-***0
 51144-***0

リン青銅, 錫メッキ PHOS. BRO. PRE-TINNED (t=0.254)	50539-8100	バラ状 LOOSE
	50539-8000	連鎖状 CHAIN
黄銅, 錫メッキ BRASS PRE-TINNED (t=0.254)	50539-9001	連鎖状 CHAIN
材 料 MATERIAL	MATERIAL NO.	端子形状 FORM
MODEL NO. 50539-****		



適用電線範囲
WIRE RANGE AWG#18 ~ #24
 被覆外径
INS. RANGE φ 1.4 ~ φ 3.0

REVISED EC NO: J2009-1311 DRWN:NAKAMURA 2008/12/16 CHKD:T. HARUYAMA 2008/12/16 APPR:NUKITA 2009/01/16	GENERAL TOLERANCES (UNLESS SPECIFIED)		DIMENSION STYLE MM ONLY	SCALE ---	DESIGN UNITS METRIC	THIRD ANGLE PROJECTION
	10 UNDER	±0.2	DRAWN BY T.NIITSU	DATE '94/11/17	TITLE 3.96 W/B CONN CRIMP REC	
	10 OVER 30 UNDER	±0.25	CHECKED BY K.T	DATE '95/7/28	APPROVED BY S.FUKUSHIMA	
	30 OVER	±0.30	DATE '95/7/28	DATE '95/7/28		MATERIAL NO. SEE TABLE
ANGULAR	±3 °	DRAFT WHERE APPLICABLE MUST REMAIN WITHIN DIMENSIONS		SIZE A3	THIS DRAWING CONTAINS INFORMATION THAT IS PROPRIETARY TO MOLEX INCORPORATED AND SHOULD NOT BE USED WITHOUT WRITTEN PERMISSION	
REV		DESCRIPTION		DOCUMENT NO. SD-50539-002		SHEET NO. 1 OF 1