

NOTES: UNLESS OTHERWISE SPECIFIED

1. MATERIAL SPECIFICATIONS:

BODY, NUT, BKHD BUSHING: BRASS PER ASTM B16
 CONTACT: BERYLLIUM COPPER PER ASTM B196
 INSULATOR: TEFLON PER ASTM D1710
 CE INSULATOR: ULTEM1000
 LOCKWASHER: PHOSPHOR BRONZE PER ASTM B103

2. FINISH SPECIFICATIONS:

CENTER CONTACT: .000030 MIN GOLD PER ASTM B488 OVER .000080 MIN NICKEL PER AMS-QQ-N-290 (ROHS).
 BODY, LOCKWASHER: .000100MIN NICKEL PER AMS-QQ-N-290
 OVER COPPER FLASH PER ASTM B734 (ROHS)
 CONTACT: .000030 MIN. GOLD PER ASTM B488, OVER NICKEL PER AMS-QQ-N-290 (ROHS)
 ALL OTHER METAL PARTS: .000050 MIN NICKEL PER AMS-QQ-N290 OVER
 .000050 MIN COPPER PER ASTM B734 (ROHS)

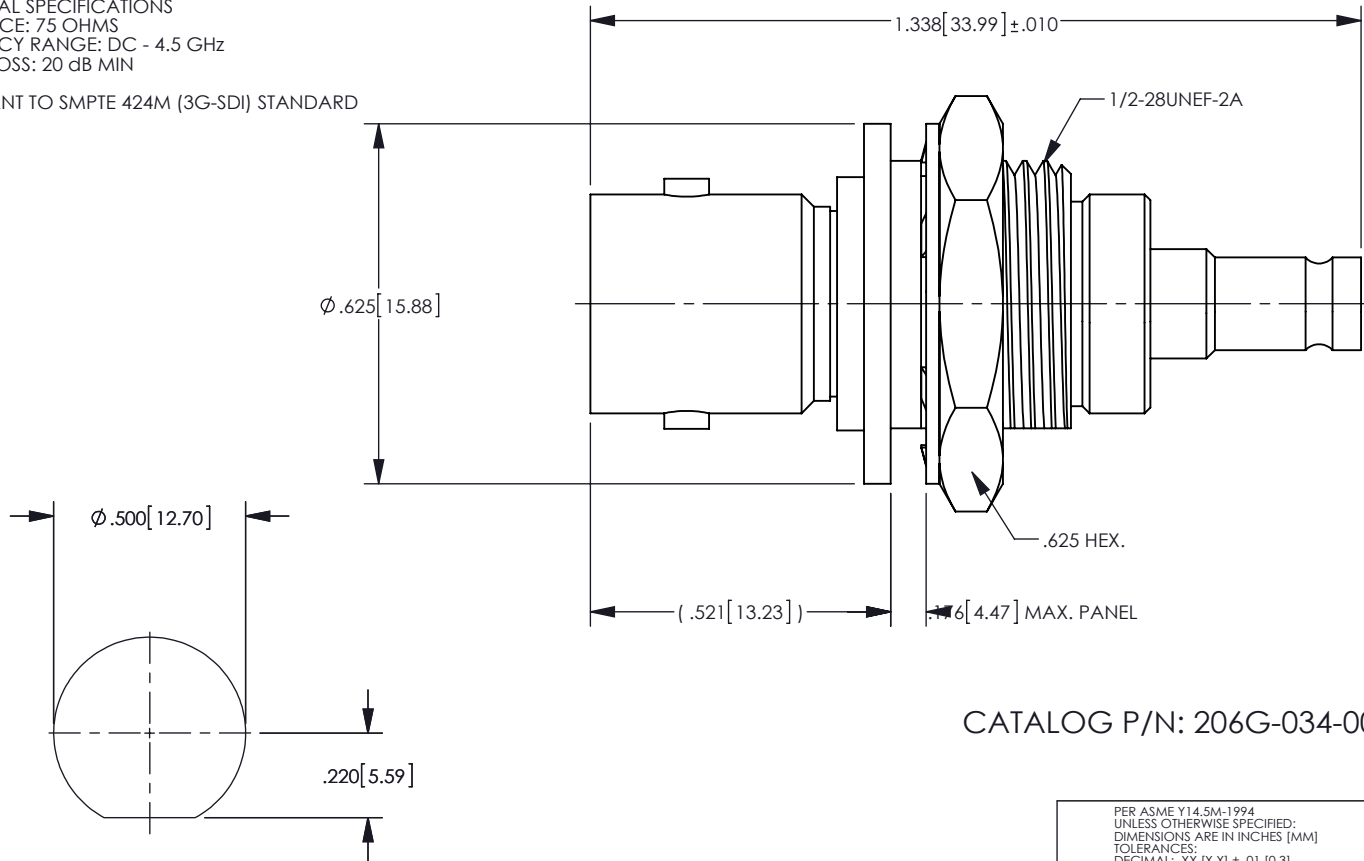
3. LOCKWASHER, NUT SHIPPED LOOSE.

4. ELECTRICAL SPECIFICATIONS

IMPEDANCE: 75 OHMS
 FREQUENCY RANGE: DC - 4.5 GHz
 RETURN LOSS: 20 dB MIN

5. COMPLIANT TO SMPTE 424M (3G-SDI) STANDARD

| REV | DESCRIPTION | BY DATE | APPD |
|-----|-----------------------|----------------|------|
| A | RELEASED PER ER042252 | 06/07/12 BS | CY |



CATALOG P/N: 206G-034-00003N

RECOMMENDED MOUNTING HOLE

| | | | | | |
|--|----------|----------|----------|---|---------------------|
| PER ASME Y14.5M-1994 UNLESS OTHERWISE SPECIFIED: DIMENSIONS ARE IN INCHES [MM] TOLERANCES: DECIMAL: .XX [X.X] ± .01 [0.3] .XXX [X.XX] ± .005 [0.13] .XXXX [X.XXX] ± .XXXX ANGLES: ± 2° SCALE: 3:1 | | | | KINGS[®] by WINCHESTER ELECTRONICS Winchester Electronics Corporation 62 Barnes Industrial Road North Wallingford, Connecticut 06492 | |
| CUSTOMER SALES DRAWING | | | | THIRD ANGLE | |
| DRAWN | DATE | APPROVED | DATE | BNC TO 1.0/2.3, 75 OHM F-F, BKHD, ISOLATED ADAPTER (RoHS COMPLIANT) | |
| CY | 02/12/12 | DCam | 02/17/12 | | |
| APPROVED | DATE | APPROVED | DATE | | |
| GSA | 02/17/12 | XXX | XX/XX/XX | | |
| A | | | | SD206G-034-00003N | SHT OF REV 1 1 A |