

Model(型號): **ROTARY POTENTIOMETER-----R09A11VA1**

► [Download PDF file](#)



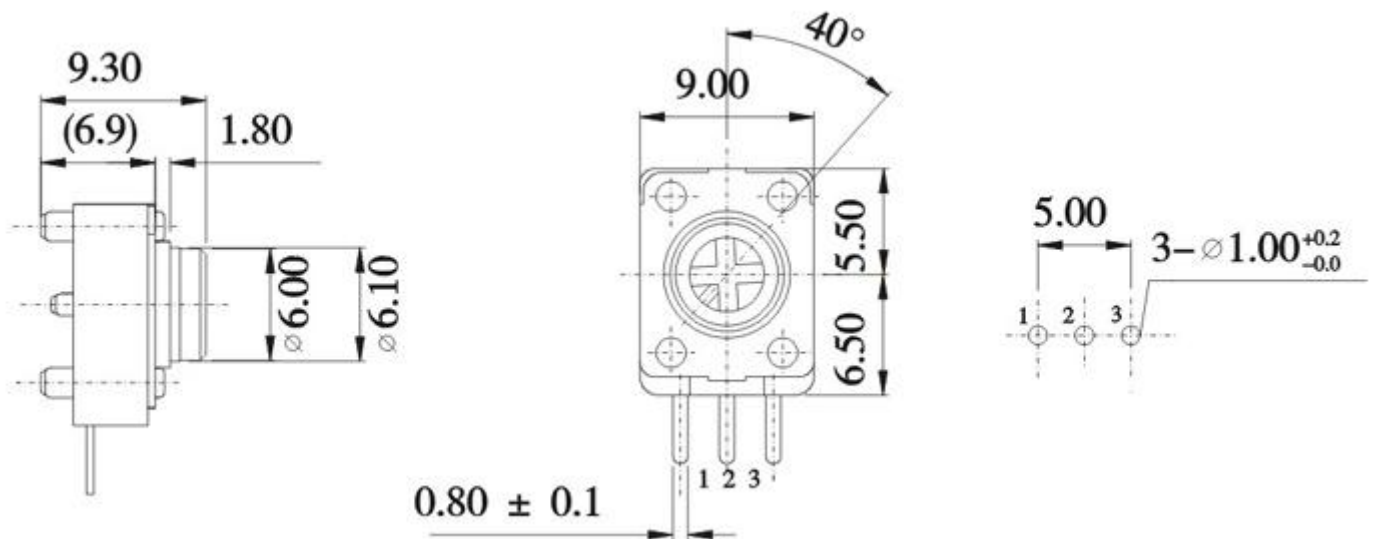
**Features:(特點):**

Thanks to its structure eliminating openings,the dust-proofing capacity and flux resistance have been improved.9.8mm outing size is ideal for high-density set design.

**Applications(作用):**

Suitable for various control applications with audio products,visual products,electronic musical instrument, etc.

**Dimensions(規格圖):**



**Specifications(規格)**

<b>Electrical Characteristics [ 電氣性能 ]</b>	
Total resistance [ 全阻抗值 ]	100Ω - 1MΩ
Total resistance tolerance [ 全阻抗值容許差 ]	±20%
Ratings power(w) [ 額定功率 ]	0.05W
Resistance taper [ 阻抗變化特性 ]	A,B, *C,D,W
Residual resistance [ 殘留阻值 ]	R < 5KΩ 10Ω Max. 5KΩ ≤ R ≤ 10KΩ 50Ω Max. 10KΩ < R ≤ 50KΩ 70Ω Max. 50KΩ < R ≤ 100KΩ 120Ω Max. 100KΩ < R ≤ 1MΩ 320Ω Max.
Sliding noise [ 滑動雜音 ]	100mV Max.
Withstanding voltage [ 耐電壓 ]	1 minute at AC 250V
Gang error [ 連動誤差 ]	-40dB ~ 0dB ±3dB Max.
Insulation resistance [ 絕緣阻抗 ]	100MΩ Min. at DC 100V.
Max. operating voltage [ 最高使用電壓 ]	AC 50V , DC 12V
<b>Mechanical Characteristics [ 機械性能 ]</b>	
Operation torque [ 回轉力矩 ]	10~80gf . cm
Rotation stopper strength [ 止動強度 ]	3.0Kgf . cm Min.
Total rotational angle [ 回轉角度 ]	280 ±5°

**Endurance Characteristics [ 耐久性能 ]**

Rotational life [ 回轉壽命 ]

More than 10,000 cycles

[Http://www.productwell.com](http://www.productwell.com)E-Mail: [pwlhk@productwell.com](mailto:pwlhk@productwell.com)

Tel: ( 852)2687 3208

Fax: ( 852)2687 3336