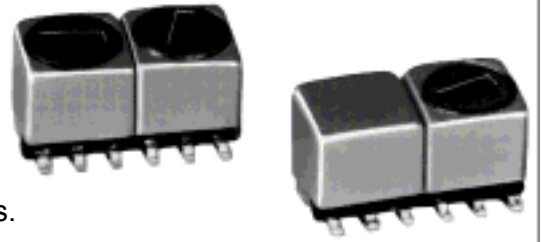


Type: CY-4W

Product Description

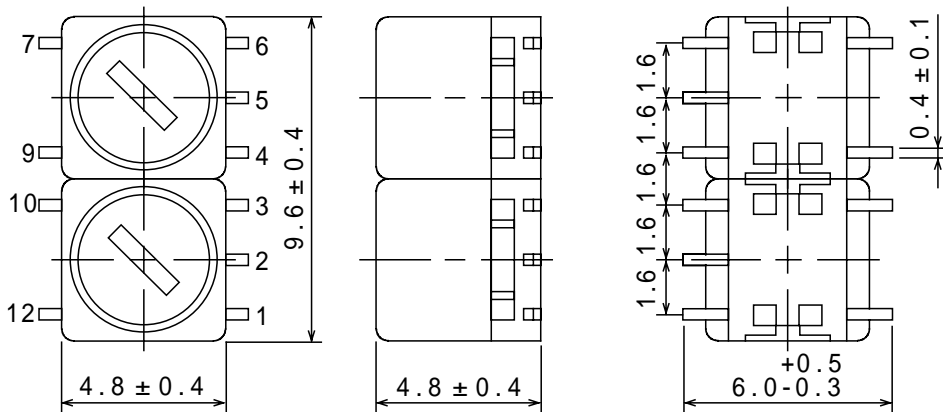
- 10.0 × 5.2mm Max.(L × W), 5.2mm Max. Height.
- Operating frequency:0.1~20MHz
- In addition to the standard versions of parameters shown here, customer designs are available to meet your exact requirements.



Feature

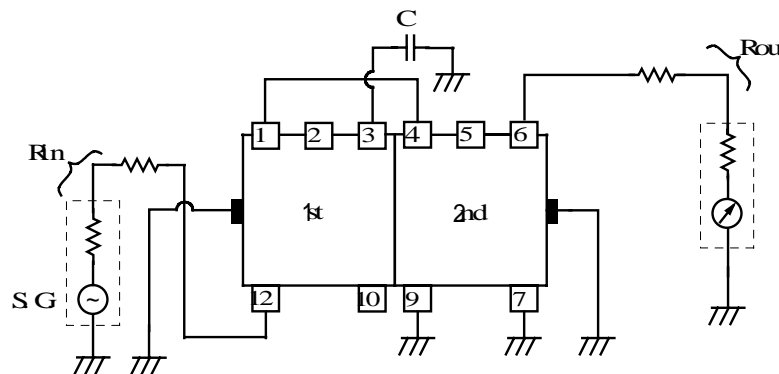
- Shielded case type.
- Adjustable and nonadjustable types are available.
- Two chip capacitors can internally be mounted in one section.
- Ideally used as Video Filters(LPF,BPF,Delay Line)
- RoHS Compliance

Dimensions (mm)



- * Dimension does not include solder used on coil.
- * Pin pitch should be measured at the root of terminal.
- * Dimensions without tolerance are approx

Test circuit



Type: CY-4W

Specification (The standard of attenuation :0 dB at 100kHz)

Item		Specification
Input impedance	(Rin)	75Ω
Output impedance	(Rout)	75Ω
Insertion loss	0.1MHz	1.0dB Max.
Attenuation	7.09MHz	3.5dB Min.
	12MHz	15±3.5dB Within
	14MHz	18±4.5dB Within
Group delay time	0.1MHz	145±40nS Within
	1.0MHz	145±40nS Within
	4.0MHz	145±40nS Within
	6.0MHz	145±40nS Within

◆ **Frequency Response** (Attenuation 0dB at 100kHz)

