

Model(型號): **ROTARY POTENTIOMETER-----R09711BV1**

► Download PDF file



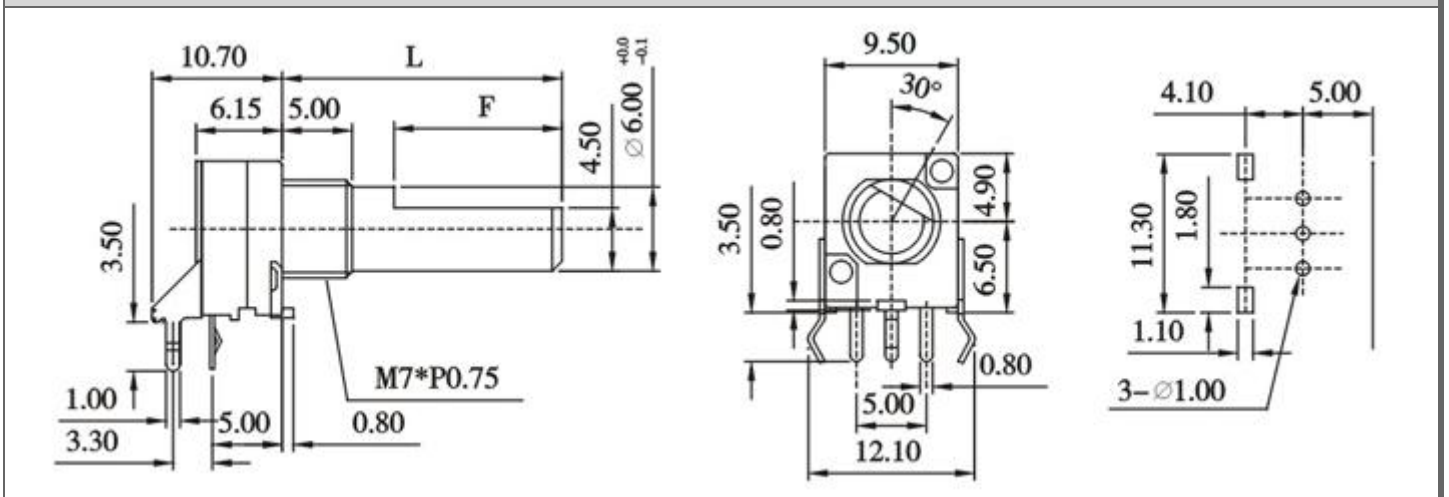
**Features:(特點):**

Small, only 9.5mm wide.  
 there three mounting heights from the PC board to shaft center: 6.5mm and 10mm and 12.5mm.  
 Inswrtr molding with rwsin around the resistor prevents flux build-up.  
 The gang error is within 3dB at 40 to 0dB.

**Applications(作用):**

Ideal for volume, tone and balance control of car audio equipment.

**Dimensions(規格圖):**



**Specifications(規格)**

**Electrical Characteristics [ 電氣性能 ]**

Total resistance [ 全阻抗值 ]	500Ω - 1MΩ
Total resistance tolerance [ 全阻抗值容許差 ]	±20%
Ratings power(w) [ 額定功率 ]	0.05W
Resistance taper [ 阻抗變化特性 ]	A, B, *C
Residual resistance [ 殘留阻值 ]	20KΩMax.
Sliding noise [ 滑動雜音 ]	100mV Max.
Withstanding voltage [ 耐電壓 ]	1 minute at AC 250V
Gang error [ 連動誤差 ]	±2dB Max.at 50% position.
Insulation resistance [ 絕緣阻抗 ]	100MΩ Min. at DC 500V.
Max. operating voltage [ 最高使用電壓 ]	AC50V, DC 10V

**Mechanical Characteristics [ 機械性能 ]**

Operation torque [ 回轉力矩 ]	20~250gf . cm
Rotation stopper strength [ 止動強度 ]	3.0Kgf . cm Min.
Total rotational angle [ 回轉角度 ]	300±5°
position of click[ 掣子位置 ]	150° ±5°
Center decent force [ 掣子脫出力矩 ]	40~300gf.cm

**Endurance Characteristics [ 耐久性能 ]**

Rotational life [ 回轉壽命 ]	More than 10,000 cycles
--------------------------	-------------------------