



IBM13M8734HCC

8M x 72 1 Bank Registered/Buffered SDRAM Module

Features

- 168-Pin Registered 8-Byte Dual In-Line Memory Module
- 8Mx72 Synchronous DRAM DIMM
- Performance:

| | | -10 | | -260, -360 (PC100) | | Units |
|--------------------------------------|-------------------|------|-------|-----------------------|-------|-------|
| | | Reg. | Buff. | Reg. | Buff. | |
| DIMM $\overline{\text{CAS}}$ Latency | | 3 | 2 | 3 | 2 | |
| f_{CK} | Clock Frequency | 66 | 66 | 100 | 100 | MHz |
| t_{CK} | Clock Cycle | 15 | 15 | 10 | 10 | ns |
| t_{AC} | Clock Access Time | 9.7 | 9.7 | 7.7 | 7.7 | ns |

- Intended for 66/100MHz and PC100 applications
- Inputs and outputs are LVTTTL (3.3V) compatible
- Single 3.3V \pm 0.3V Power Supply
- Single Pulsed RAS interface
- SDRAMs have four internal banks
- Module has one physical bank

- Fully Synchronous to positive Clock Edge
- Programmable Operation:
 - DIMM $\overline{\text{CAS}}$ Latency: 3, 4 (Registered mode), 2, 3 (Buffered mode)
 - Burst Type: Sequential or Interleave
 - Burst Length: 1, 2, 4, 8, Full-Page (Full-Page supports Sequential burst only)
 - Operation: Burst Read and Write or Multiple Burst Read with Single Write
- Data Mask for Byte Read/Write control
- Auto Refresh (CBR) and Self Refresh
- Automatic and controlled Precharge Commands
- Suspend Mode and Power Down Mode
- 12/9/2 Addressing (Row/Column/Bank)
- 4096 refresh cycles distributed across 64ms
- Card size: 5.25" x 1.5" x 0.157"
- Gold contacts
- SDRAMs in TSOP - Type II Package

Description

IBM13M8734HCC is a registered 168-Pin Synchronous DRAM Dual In-Line Memory Module (DIMM) organized as an 8Mx72 high-speed memory array. The DIMM uses nine 8Mx8 SDRAMs in 400 mil TSOP packages. The DIMM achieves high-speed data-transfer rates of up to 100 MHz by employing a prefetch/pipeline hybrid architecture that synchronizes the output data to a system clock.

The DIMM is intended for use in applications operating from 66MHz to 100 MHz, PC100, memory bus speeds, and/or heavily loaded bus applications. All control and address signals are re-driven through registers/buffers to the SDRAM devices. The DIMM can be operated in either registered mode (REGE pin tied high), where the control/address input signals are latched in the register on one rising clock edge and sent to the SDRAM devices on the following rising clock edge (data access is delayed by one clock), or in buffered mode (REGE pin tied low) where the input signals pass through the register/buffer to the SDRAM devices on the same clock. XTK simulation models of the DIMM are available to determine which mode to design for.

A phase-lock loop (PLL) on the DIMM is used to re-drive the clock signals to the SDRAM devices to minimize system clock loading. (CK0 is connected to the

PLL, and CK1, CK2, and CK3 are terminated on the DIMM.) A single clock enable (CKE0) controls all devices on the DIMM, enabling the use of SDRAM power-down modes.

Prior to any access operation, the device $\overline{\text{CAS}}$ latency and burst type/length/operation type must be programmed into the DIMM by address inputs A0-A9 using the mode register set cycle. The DIMM $\overline{\text{CAS}}$ latency when operated in buffered mode is the same as the device $\overline{\text{CAS}}$ latency as specified in the SPD EEPROM. The DIMM $\overline{\text{CAS}}$ latency when operated in registered mode is one clock later due to the address and control signals being clocked to the SDRAM devices.

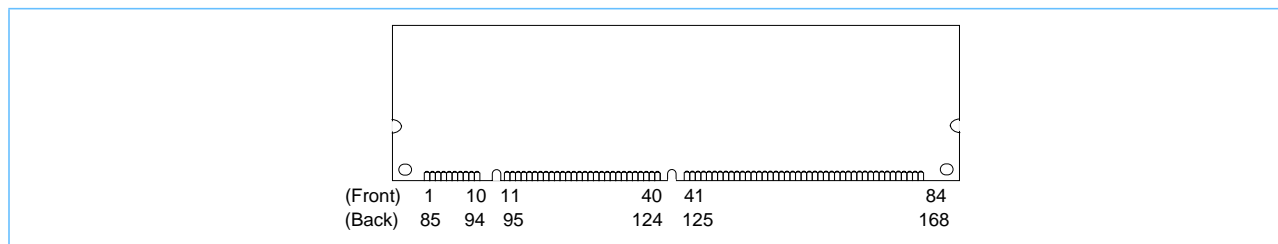
The DIMM uses serial presence detects implemented via a serial EEPROM using the two-pin IIC protocol. The first 128 bytes of serial PD data are programmed and locked by the DIMM manufacturer. The last 128 bytes are available to the customer and may be write protected by providing a high level to pin 81 on the DIMM. An on-board pulldown resistor keeps this in the write-enable mode.

All IBM 168-pin DIMMs provide a high-performance, flexible 8-byte interface in a 5.25" long space-saving footprint.



IBM13M8734HCC
8M x 72 1 Bank Registered/Buffered SDRAM Module

Card Outline



Pin Description

| | | | |
|--|-----------------------------|-----------------|--|
| CK0 - CK3 | Clock Inputs | DQ0 - DQ63 | Data Input/Output |
| CKE0 | Clock Enable | CB0 - CB7 | Check Bit Data Input/Output |
| $\overline{\text{RAS}}$ | Row Address Strobe | DQMB0 - DQMB7 | Data Mask |
| $\overline{\text{CAS}}$ | Column Address Strobe | V_{DD} | Power (3.3V) |
| $\overline{\text{WE}}$ | Write Enable | V_{SS} | Ground |
| $\overline{\text{S0}}, \overline{\text{S2}}$ | Chip Selects | NC | No Connect |
| A0 - A9, A11 | Address Inputs | SCL | Serial Presence Detect Clock Input |
| A10/AP | Address Input/Autoprecharge | SDA | Serial Presence Detect Data Input/Output |
| BA0, BA1, (A13, A12) | SDRAM Bank Address Inputs | SA0-2 | Serial Presence Detect Address Inputs |
| WP | SPD Write Protect | REGE | Register Enable |



IBM13M8734HCC
8M x 72 1 Bank Registered/Buffered SDRAM Module

Pinout

| Pin# | Front Side | Pin# | Back Side | Pin# | Front Side | Pin# | Back Side | Pin# | Front Side | Pin# | Back Side | Pin# | Front Side | Pin# | Back Side |
|------|-----------------|------|-----------------|------|-----------------|------|------------------|------|-----------------|------|-----------------|------|-----------------|------|-----------------|
| 1 | V _{SS} | 85 | V _{SS} | 22 | CB1 | 106 | CB5 | 43 | V _{SS} | 127 | V _{SS} | 64 | V _{SS} | 148 | V _{SS} |
| 2 | DQ0 | 86 | DQ32 | 23 | V _{SS} | 107 | V _{SS} | 44 | NC | 128 | CKE0 | 65 | DQ21 | 149 | DQ53 |
| 3 | DQ1 | 87 | DQ33 | 24 | NC | 108 | NC | 45 | $\overline{S2}$ | 129 | NC | 66 | DQ22 | 150 | DQ54 |
| 4 | DQ2 | 88 | DQ34 | 25 | NC | 109 | NC | 46 | DQMB 2 | 130 | DQMB 6 | 67 | DQ23 | 151 | DQ55 |
| 5 | DQ3 | 89 | DQ35 | 26 | V _{DD} | 110 | V _{DD} | 47 | DQMB 3 | 131 | DQMB 7 | 68 | V _{SS} | 152 | V _{SS} |
| 6 | V _{DD} | 90 | V _{DD} | 27 | \overline{WE} | 111 | \overline{CAS} | 48 | NC | 132 | NC | 69 | DQ24 | 153 | DQ56 |
| 7 | DQ4 | 91 | DQ36 | 28 | DQMB0 | 112 | DQMB 4 | 49 | V _{DD} | 133 | V _{DD} | 70 | DQ25 | 154 | DQ57 |
| 8 | DQ5 | 92 | DQ37 | 29 | DQMB1 | 113 | DQMB 5 | 50 | NC | 134 | NC | 71 | DQ26 | 155 | DQ58 |
| 9 | DQ6 | 93 | DQ38 | 30 | $\overline{S0}$ | 114 | NC | 51 | NC | 135 | NC | 72 | DQ27 | 156 | DQ59 |
| 10 | DQ7 | 94 | DQ39 | 31 | NC | 115 | \overline{RAS} | 52 | CB2 | 136 | CB6 | 73 | V _{DD} | 157 | V _{DD} |
| 11 | DQ8 | 95 | DQ40 | 32 | V _{SS} | 116 | V _{SS} | 53 | CB3 | 137 | CB7 | 74 | DQ28 | 158 | DQ60 |
| 12 | V _{SS} | 96 | V _{SS} | 33 | A0 | 117 | A1 | 54 | V _{SS} | 138 | V _{SS} | 75 | DQ29 | 159 | DQ61 |
| 13 | DQ9 | 97 | DQ41 | 34 | A2 | 118 | A3 | 55 | DQ16 | 139 | DQ48 | 76 | DQ30 | 160 | DQ62 |
| 14 | DQ10 | 98 | DQ42 | 35 | A4 | 119 | A5 | 56 | DQ17 | 140 | DQ49 | 77 | DQ31 | 161 | DQ63 |
| 15 | DQ11 | 99 | DQ43 | 36 | A6 | 120 | A7 | 57 | DQ18 | 141 | DQ50 | 78 | V _{SS} | 162 | V _{SS} |
| 16 | DQ12 | 100 | DQ44 | 37 | A8 | 121 | A9 | 58 | DQ19 | 142 | DQ51 | 79 | CK2 | 163 | CK3 |
| 17 | DQ13 | 101 | DQ45 | 38 | A10/AP | 122 | BA0 | 59 | V _{DD} | 143 | V _{DD} | 80 | NC | 164 | NC |
| 18 | V _{DD} | 102 | V _{DD} | 39 | BA1 | 123 | A11 | 60 | DQ20 | 144 | DQ52 | 81 | WP | 165 | SA0 |
| 19 | DQ14 | 103 | DQ46 | 40 | V _{DD} | 124 | V _{DD} | 61 | NC | 145 | NC | 82 | SDA | 166 | SA1 |
| 20 | DQ15 | 104 | DQ47 | 41 | V _{DD} | 125 | CK1 | 62 | NC | | NC | 83 | SCL | 167 | SA2 |
| 21 | CB0 | 105 | CB4 | 42 | CK0 | 126 | NC | 63 | NC | 147 | REGE | 84 | V _{DD} | 168 | V _{DD} |

Note: All pin assignments are consistent with all 8-byte unbuffered versions.

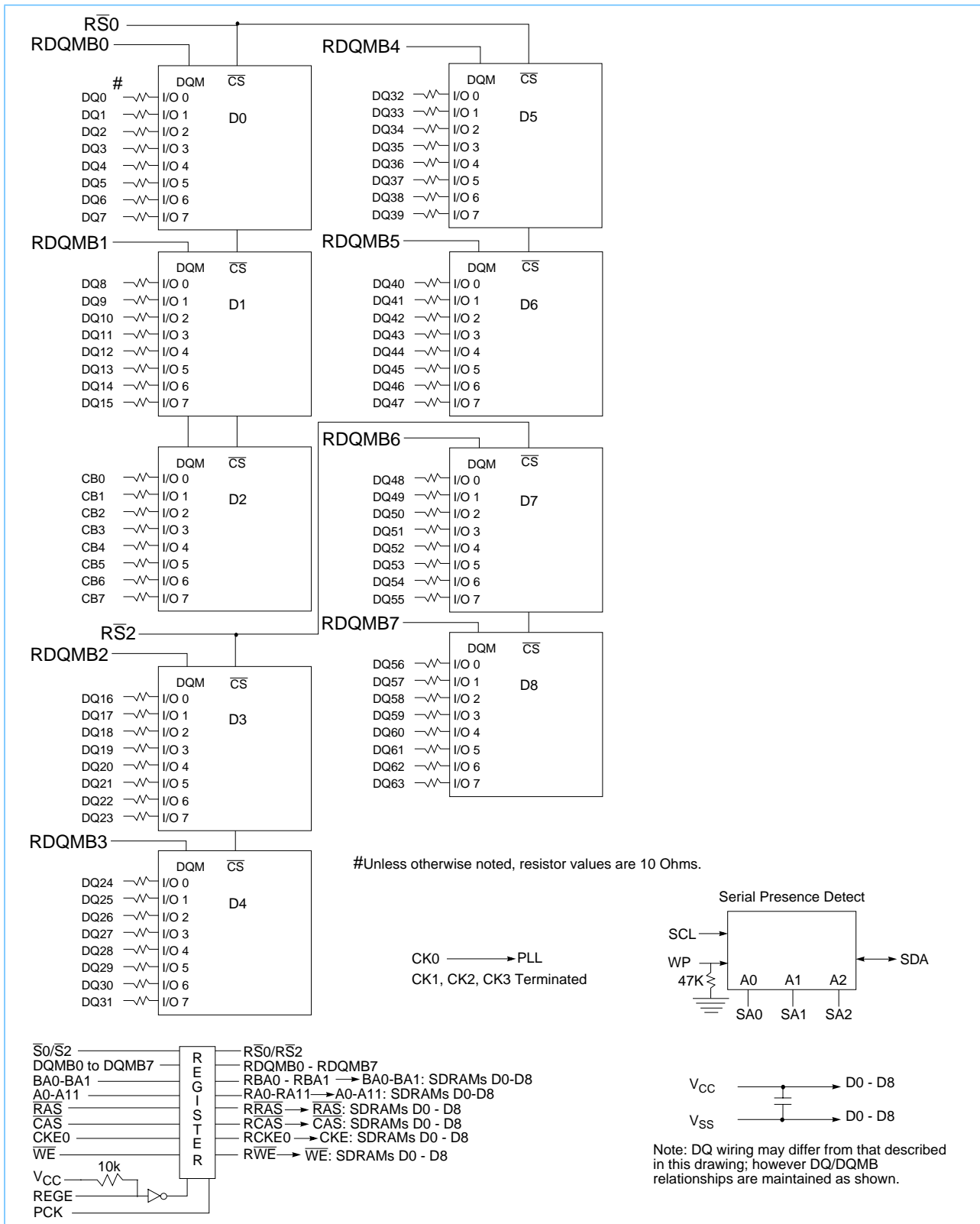
Ordering Information

| Part Number | Organization | Clock Cycle | \overline{CAS} Latency | Access Time | Leads | Dimension | Power |
|--------------------|--------------|-------------|--------------------------|-------------|-------|-----------------------|-------|
| IBM13M8734HCC-260T | 8Mx72 | 10ns | 2 | 6.0ns | Gold | 5.25" x 1.5" x 0.157" | 3.3V |
| IBM13M8734HCC-360T | | | 3 | 6.0ns | | | |
| IBM13M8734HCC-10T | | 15ns | 3 | 8.0ns | | | |



IBM13M8734HCC
8M x 72 1 Bank Registered/Buffered SDRAM Module

x72 ECC SDRAM DIMM Block Diagram (1 Bank, x8 SDRAMs)

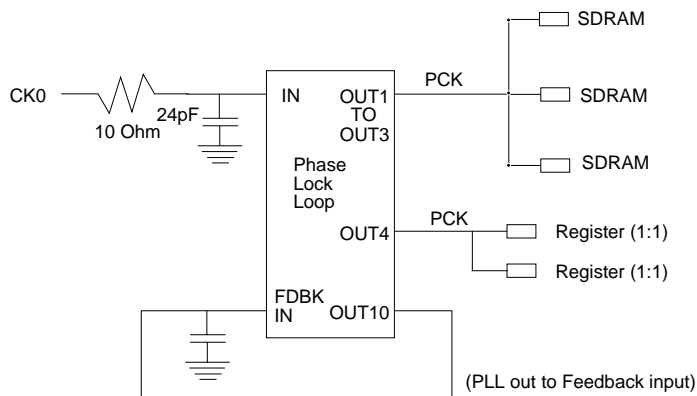




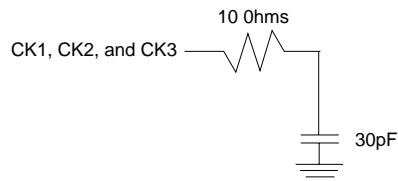
Clock Wiring

Clock Net Wiring (CK0):

One of three SDRAM outputs is shown. All PLL clock SDRAM loads are equal-achieved in part through equal-length wiring.



Terminated Clock Nets (CK1, CK2, CK3):



- Notes:
1. The PLL is programmed via a combination of the feedback path and on-DIMM loading. PLL feedback produces zero phase shift from the delayed CK0 input.
 2. Card wiring and capacitance loading variation: ± 100 ps.
 3. Timing is based on a driver with a 1 Volt/ns rise time.
 4. Feedback Capacitor/Value determined by PLL phase characteristics.



IBM13M8734HCC
8M x 72 1 Bank Registered/Buffered SDRAM Module

Input/Output Functional Description

| Symbol | Type | Signal | Polarity | Function |
|--|-----------------|--------|---------------------------------------|--|
| CK0 - CK3 | Input | Pulse | Positive Edge | The system clock inputs. All the SDRAM inputs are sampled on the rising edge of their associated clock. CK0 drives the PLL. CK1, CK2, and CK3 are terminated. |
| CKE0 | Input | Level | Active High | Activates the SDRAM CK signal when high and deactivates the CK signal when low. By deactivating the clocks, CKE low initiates the Power Down mode, the Suspend mode, or the Self Refresh mode. |
| $\overline{S0}$, $\overline{S2}$ | Input | Pulse | Active Low | Enables the associated SDRAM command decoder when low and disables the command decoder when high. When the command decoder is disabled, new commands are ignored but previous operations continue. |
| \overline{RAS} , \overline{CAS} \overline{WE} | Input | Pulse | Active Low | When sampled at the positive rising edge of the clock, \overline{CAS} , \overline{RAS} , and \overline{WE} define the operation to be executed by the SDRAM. |
| BA0, 1 | Input | Level | — | Selects which SDRAM bank of four is activated. |
| A0 - A9, A11 A10/AP | Input | Level | — | During a Bank Activate command cycle, A0-A11 defines the row address (RA0-RA11) when sampled at the rising clock edge. During a Read or Write command cycle, A0-A8 defines the column address (CA0-CA8) when sampled at the rising clock edge. In addition to the column address, AP is used to invoke autoprecharge operation at the end of the burst read or write cycle. If AP is high, autoprecharge is selected and BA0, BA1 defines the bank to be precharged. If AP is low, autoprecharge is disabled. During a Precharge command cycle, AP is used in conjunction with BA0, BA1 to control which bank(s) to precharge. If AP is high, all banks will be precharged regardless of the state of BA0 or BA1. If AP is low, then BA0 and BA1 are used to define which bank to precharge. |
| DQ0 - DQ63, CB0 - CB7 | Input Output | Level | — | Data and Check Bit Input/Output pins. |
| DQMB0 - DQMB7 | Input | Pulse | Active High | The Data Input/Output masks, associated with one data byte, place the DQ buffers in a high impedance state when sampled high. In Read mode, DQMB has a latency of two clock cycles in Buffered mode or three clock cycles in Registered mode, and controls the output buffers like an output enable. In Write mode, DQMB has a zero clock latency in Buffered mode and a latency of one clock cycle in Registered mode. In this case, DQMB operates as a byte mask by allowing input data to be written if it is low but blocks the write operation if it is high. |
| V_{DD} , V_{SS} | Supply | | | Power and ground for the module. |
| REGE | Input | Level | Active High (Register Mode Enable) | The Register Enable pin is used to permit the DIMM to operate in Buffered mode (inputs re-driven asynchronously) or Registered mode (signals re-driven to SDRAMs when clock rises, and held valid until next rising clock). |
| SA0 - 2 | Input | Level | — | These signals are tied at the system planar to either V_{SS} or V_{DD} to configure the SPD EEPROM. |
| SDA | Input Output | Level | — | This is a bidirectional pin used to transfer data into or out of the SPD EEPROM. A resistor must be connected from the SDA bus line to V_{DD} to act as a pullup. |
| SCL | Input | Pulse | — | This signal is used to clock data into and out of the SPD EEPROM. A resistor may be connected from the SCL bus line to V_{DD} to act as a pullup. |
| WP | Input | Level | Active High | This signal is pulled low on the DIMM to enable data to be written into the last 128 bytes of the SPD EEPROM. |



Serial Presence Detect (Part 1 of 3)

| Byte # | Description | SPD Entry Value | Serial PD Data Entry (Hexadecimal) | Notes | |
|--------|--|--|------------------------------------|-------|------|
| 0 | Number of Serial PD Bytes Written during Production | 128 | 80 | | |
| 1 | Total Number of Bytes in Serial PD device | 256 | 08 | | |
| 2 | Fundamental Memory Type | SDRAM | 04 | | |
| 3 | Number of Row Addresses on Assembly | 12 | 0C | | |
| 4 | Number of Column Addresses on Assembly | 9 | 09 | | |
| 5 | Number of DIMM Banks | 1 | 01 | | |
| 6 - 7 | Data Width of Assembly | x72 | 4800 | | |
| 8 | Assembly Voltage Interface Levels | LVTTTL | 01 | | |
| 9 | SDRAM Device Cycle Time (CL = 3) | 10.0ns | A0 | 1, 2 | |
| 10 | SDRAM Device Access Time from Clock at CL=3 | -260 | 6.0ns | 60 | |
| | | -360 | 6.0ns | 60 | |
| | | -10 | 8.0ns | 80 | |
| 11 | Assembly Error Detection/Correction Scheme | ECC | 02 | | |
| 12 | Assembly Refresh Rate/Type | SR/1X(15.625us) | 80 | | |
| 13 | SDRAM Device Width | x8 | 08 | | |
| 14 | Error Checking SDRAM Device Width | x8 | 08 | | |
| 15 | SDRAM Device Attr: Min Clk Delay, Random Col Access | 1 Clock | 01 | | |
| 16 | SDRAM Device Attributes: Burst Lengths Supported | 1, 2, 4, 8, Full Page | 8F | | |
| 17 | SDRAM Device Attributes: Number of Device Banks | 4 | 04 | | |
| 18 | SDRAM Device Attributes: $\overline{\text{CAS}}$ Latency | 2, 3 | 06 | | |
| 19 | SDRAM Device Attributes: $\overline{\text{CS}}$ Latency | 0 | 01 | | |
| 20 | SDRAM Device Attributes: $\overline{\text{WE}}$ Latency | 0 | 01 | | |
| 21 | SDRAM Module Attributes | Registered/Buffered with PLL | 1F | | |
| 22 | SDRAM Device Attributes: General | Write-1/Read Burst, Pre-charge All, Auto-Precharge | 0E | | |
| 23 | Minimum Clock Cycle at CLX-1 (CL = 2) | -260 | 10.0ns | A0 | 1, 2 |
| | | -360, -10 | 15.0ns | F0 | |
| 24 | Maximum Data Access Time (t_{AC}) from Clock at CLX-1 (CL = 2) | -260 | 6.0ns | 60 | |
| | | -360, -10 | 9.0ns | 90 | |

- In a registered DIMM, data is delayed an additional clock cycle due to the on-DIMM pipeline register (that is, Device CL [clock cycles] + 1 = DIMM $\overline{\text{CAS}}$ latency).
- Minimum application clock cycle time for the -260 and -360 is 10ns (100MHz), and for -10 is 15ns (66MHz).
- cc = Checksum Data byte, 00-FF (Hex).
- "R" = Alphanumeric revision code, A-Z, 0-9.
- rr = ASCII coded revision code byte "R".
- ww = Binary coded decimal week code, 01-53 (Decimal) → 01-35 (Hex).
- yy = Binary coded decimal year code, 00-99 (Decimal) → 00-63 (Hex).
- ss = Serial number data byte, 00-FF (Hex).



IBM13M8734HCC
8M x 72 1 Bank Registered/Buffered SDRAM Module

Serial Presence Detect (Part 2 of 3)

| Byte # | Description | SPD Entry Value | Serial PD Data Entry (Hexadecimal) | Notes |
|---------|--|------------------|------------------------------------|-------|
| 25 | Minimum Clock Cycle Time at CLX-2 (CL = 1) | N/A | 00 | |
| 26 | Maximum Data Access Time (t_{AC}) from Clock at CLX-2 (CL = 1) | N/A | 00 | |
| 27 | Minimum Row Precharge Time (t_{RP}) | -260, -360 | 20.0ns | 14 |
| | | -10 | 30.0ns | 1E |
| 28 | Minimum Row Active to Row Active delay (t_{RRD}) | 20.0ns | 14 | |
| 29 | Minimum \overline{RAS} to \overline{CAS} delay (t_{RCD}) | -260, -360 | 20.0ns | 14 |
| | | -10 | 30.0ns | 1E |
| 30 | Minimum \overline{RAS} Pulse width (t_{RAS}) | -260, -360 | 50.0ns | 32 |
| | | -10 | 60.0ns | 3C |
| 31 | Module Bank Density | 64MB | 10 | |
| 32 | Address and Command Setup Time Before Clock | -260, -360 | 2.0ns | 20 |
| | | -10 | 3.0ns | 30 |
| 33 | Address and Command Hold Time After Clock | -260, -360 | 1.0ns | 10 |
| | | -10 | 1.0ns | 10 |
| 34 | Data Input Setup Time Before Clock | -260, -360 | 2.0ns | 20 |
| | | -10 | 3.0ns | 30 |
| 35 | Data Input Hold Time After Clock | -260, -360 | 1.0ns | 10 |
| | | -10 | 1.0ns | 10 |
| 36 - 61 | Reserved | Undefined | 00 | |
| 62 | SPD Revision | -260, -360 | PC100 1.2A | 12 |
| | | -10 | 02 | 02 |
| 63 | Checksum for bytes 0 - 62 | Checksum Data | cc | 3 |
| 64 - 71 | Manufacturers' JEDEC ID Code | IBM | A400000000000000 | |
| 72 | Assembly Manufacturing Location | Toronto, Canada | 91 | |
| | | Vimercate, Italy | 53 | |

1. In a registered DIMM, data is delayed an additional clock cycle due to the on-DIMM pipeline register (that is, Device CL [clock cycles] + 1 = DIMM CAS latency).
2. Minimum application clock cycle time for the -260 and -360 is 10ns (100MHz), and for -10 is 15ns (66MHz).
3. cc = Checksum Data byte, 00-FF (Hex).
4. "R" = Alphanumeric revision code, A-Z, 0-9.
5. rr = ASCII coded revision code byte "R".
6. ww = Binary coded decimal week code, 01-53 (Decimal) → 01-35 (Hex).
7. yy = Binary coded decimal year code, 00-99 (Decimal) → 00-63 (Hex).
8. ss = Serial number data byte, 00-FF (Hex).



Serial Presence Detect (Part 3 of 3)

| Byte # | Description | SPD Entry Value | Serial PD Data Entry (Hexadecimal) | Notes | |
|-----------|--|----------------------|------------------------------------|--|------|
| 73 - 90 | Assembly Part Number | -260 | ASCII '13M8734HC'R'-260T' | 31334D383733344843rr 2D32363054202020 | 4, 5 |
| | | -360 | ASCII '13M8734HC'R'-360T' | 31334D383733344843rr 2D383054202020 | |
| | | -10 | ASCII '13M8734HC'R'-10T' | 31334D383733344843rr 2D31305420202020 | |
| 91 - 92 | Assembly Revision Code | "R" plus ASCII blank | rr20 | 5 | |
| 93 - 94 | Assembly Manufacturing Date | Year/Week Code | yyww | 6, 7 | |
| 95 - 98 | Assembly Serial Number | Serial Number | ssssssss | 8 | |
| 99 - 125 | Reserved | Undefined | Not Specified | | |
| 126 | Module Supports this Clock Frequency | -260, -360 | 100MHz | 64 | |
| | | -10 | 66MHz | 66 | |
| 127 | Attributes for clock frequency defined in Byte 126 | -260, -360 | CLK0, CL=3, ConAP | 85 | |
| | | -10 | CL = 2, 3 | 06 | |
| 128 - 255 | Open for Customer Use | Undefined | 00 | | |

1. In a registered DIMM, data is delayed an additional clock cycle due to the on-DIMM pipeline register (that is, Device CL [clock cycles] + 1 = DIMM CAS latency).
2. Minimum application clock cycle time for the -260 and -360 is 10ns (100MHz), and for -10 is 15ns (66MHz).
3. cc = Checksum Data byte, 00-FF (Hex).
4. "R" = Alphanumeric revision code, A-Z, 0-9.
5. rr = ASCII coded revision code byte "R".
6. ww = Binary coded decimal week code, 01-53 (Decimal) → 01-35 (Hex).
7. yy = Binary coded decimal year code, 00-99 (Decimal) → 00-63 (Hex).
8. ss = Serial number data byte, 00-FF (Hex).



IBM13M8734HCC
8M x 72 1 Bank Registered/Buffered SDRAM Module

Absolute Maximum Ratings

| Symbol | Parameter | Rating | Units | Notes |
|-----------|---------------------------------|------------------|--------------|--------|
| V_{DD} | Power Supply Voltage | -0.3 to +4.6 | | |
| V_{IN} | Input Voltage | SDRAM Devices | -1.0 to +4.6 | V 1 |
| | | Serial PD Device | -0.3 to +6.5 | |
| | | Register | 0 - V_{DD} | |
| | | PLL | 0 - V_{DD} | |
| V_{OUT} | Output Voltage | SDRAM Devices | -1.0 to +4.6 | |
| | | Serial PD Device | -0.3 to +6.5 | |
| T_A | Operating Temperature (ambient) | 0 to +70 | °C | 1 |
| T_{STG} | Storage Temperature | -55 to +125 | °C | 1 |
| P_D | Power Dissipation | 5.4 | W | 1, 2 |
| I_{OUT} | Short Circuit Output Current | 50 | mA | 1 |
| F_{MIN} | Minimum Operating Frequency | 66 | MHz | |

1. Stresses greater than those listed under "Absolute Maximum Ratings" may cause permanent damage to the device. This is a stress rating only and functional operation of the device at these or any other conditions above those indicated in the operational sections of this specification is not implied. Exposure to absolute maximum rating conditions for extended periods may affect reliability.
2. Maximum power is calculated assuming the physical bank is in Auto Refresh Mode.

Recommended DC Operating Conditions ($T_A = 0$ to 70°C)

| Symbol | Parameter | Rating | | | Units | Notes |
|----------|--------------------|--------|------|----------------|-------|-------|
| | | Min. | Typ. | Max. | | |
| V_{DD} | Supply Voltage | 3.0 | 3.3 | 3.6 | V | 1 |
| V_{IH} | Input High Voltage | 2.0 | — | $V_{DD} + 0.3$ | V | 1 |
| V_{IL} | Input Low Voltage | -0.3 | — | 0.8 | V | 1 |

1. All voltages referenced to V_{SS} .

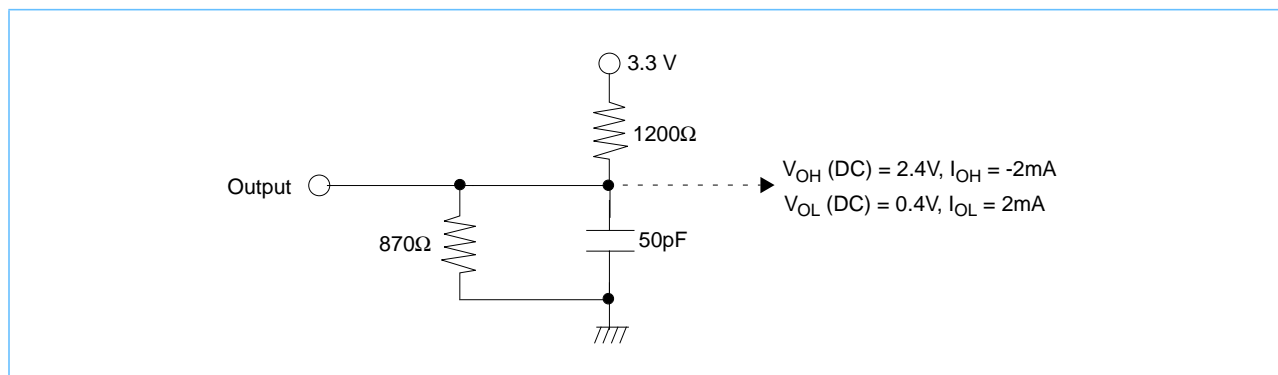

Capacitance ($T_A = 25^\circ\text{C}$, $f = 1\text{MHz}$, $V_{DD} = 3.3\text{V} \pm 0.3\text{V}$)

| Symbol | Parameter | Organization | Units |
|------------------|--|--------------|-------|
| | | x72 Max | |
| C _{I1} | Input Capacitance (A0 - A9, A10/AP, A11, BA0, BA1) | 11.5 | pF |
| C _{I2} | Input Capacitance ($\overline{\text{RAS}}$) | 10 | pF |
| C _{I3} | Input Capacitance ($\overline{\text{CAS}}$) | 10 | pF |
| C _{I4} | Input Capacitance (S0, S2) | 9.0 | pF |
| C _{I5} | Input Capacitance (CK0) | 40 | pF |
| C _{I6} | Input Capacitance (DQMB0 - DQMB7) | 9.5 | pF |
| C _{I7} | Input Capacitance (SA0 - SA2, SCL, WP) | 9 | pF |
| C _{I8} | Input Capacitance (REGE) | 10 | pF |
| C _{I9} | Input Capacitance (CK1 - CK3) | 34 | pF |
| C _{I10} | Input Capacitance (CKE0) | 9.5 | pF |
| C _{I11} | Input Capacitance (WE) | 10 | pF |
| C _{IO1} | Input/Output Capacitance (DQ0 - DQ63, CB0 - CB7) | 14 | pF |
| C _{IO2} | Input/Output Capacitance (SDA) | 11 | pF |



IBM13M8734HCC
8M x 72 1 Bank Registered/Buffered SDRAM Module

Device DC Output Load Circuit



Input/Output Characteristics ($T_A = 0$ to $+70^\circ C$, $V_{DD} = 3.3V \pm 0.3V$)

| Symbol | Parameter | x72 | | Units | Notes | |
|------------|---|----------------------------|----------|-------|-------|---------|
| | | Min. | Max. | | | |
| $I_{I(L)}$ | Input Leakage Current, any input ($0.0V \leq V_{IN} \leq 3.6V$), All Other Pins Not Under Test = 0V | Address and Control Inputs | | 10 | 10 | μA |
| | | DQ0-63, CB0 - 7 | | -2 | +2 | |
| $I_{O(L)}$ | Output Leakage Current (D_{OUT} is disabled, $0.0V \leq V_{OUT} \leq 3.6V$) | DQ0-63, CB0 - 7 | | -2 | +2 | μA |
| | | SDA | | -1 | +1 | |
| V_{OH} | Output Level Output "H" Level Voltage ($I_{OUT} = -2.0mA$) | 2.4 | V_{DD} | V | 1 | |
| V_{OL} | Output Level Output "L" Level Voltage ($I_{OUT} = +2.0mA$) | 0.0 | 0.4 | | | |

1. See DC output load circuit.



Operating, Standby, and Refresh Currents ($T_A = 0$ to $+70^\circ\text{C}$, $V_{DD} = 3.3\text{V} \pm 0.3\text{V}$)

| Parameter | Symbol | Test Condition | Speed | | | Units | Notes |
|---|-------------|---|-------|------|------|-------|-------|
| | | | -260 | -360 | -10 | | |
| Operating Current 1 bank operation | I_{CC1} | $t_{RC} = t_{RC}(\text{min})$, $t_{CK} = \text{min}$ Active-Precharge command cycling without burst operation | 857 | 857 | 613 | mA | 1 |
| Precharge Standby Current in Power Down Mode | I_{CC2P} | $\text{CKE0} \leq V_{IL}(\text{max})$, $t_{CK} = \text{min}$, $\overline{\text{CS}} = V_{IH}(\text{min})$ | 191 | 191 | 127 | mA | 1 |
| | I_{CC2PS} | $\text{CKE0} \leq V_{IL}(\text{max})$, $t_{CK} = \text{Infinity}$, $\overline{\text{S0}}, \overline{\text{S2}} = V_{IH}(\text{min})$ | 34 | 34 | 34 | mA | |
| Precharge Standby Current in Non-Power Down Mode | I_{CC2} | $\text{CKE0} \geq V_{IH}(\text{min})$, $t_{CK} = \text{min}$, $\overline{\text{S0}}, \overline{\text{S2}} = V_{IH}(\text{min})$ | 497 | 497 | 343 | mA | 1 |
| | I_{CC2S} | $\text{CKE0} \geq V_{IH}(\text{min})$, $t_{CK} = \text{Infinity}$, $\overline{\text{S0}}, \overline{\text{S2}} = V_{IH}(\text{min})$ | 70 | 70 | 70 | mA | |
| No Operating Current (Active state: 4bank) | I_{CC3} | $\text{CKE0} \geq V_{IH}(\text{min})$, $t_{CK} = \text{min}$, $\overline{\text{S0}}, \overline{\text{S2}} = V_{IH}(\text{min})$ | 542 | 542 | 388 | mA | 1 |
| | I_{CC3P} | $\text{CKE0} \leq V_{IL}(\text{max})$, $t_{CK} = \text{min}$, $\overline{\text{S0}}, \overline{\text{S2}} = V_{IH}(\text{min})$ (Power Down Mode) | 245 | 245 | 181 | mA | 1 |
| Burst Operating Current (Active state: 4bank) | I_{CC4} | $t_{CK} = \text{min}$, Read command cycling | 1262 | 1262 | 928 | mA | 1, 2 |
| Auto (CBR) Refresh Current | I_{CC5} | $t_{CK} = \text{min}$, CBR command cycling | 1487 | 1487 | 1108 | mA | 1 |
| Self Refresh Current | I_{CC6} | $\text{CKE0} \leq 0.2\text{V}$ | 34 | 34 | 34 | mA | |

1. These parameters depend on the cycle rate and are measured with the cycle determined by the minimum value of t_{CK} and t_{RC} . Input signals are changed once during $t_{CK}(\text{min})$. $t_{CK}(\text{min}) = 10\text{ns}$ (for -260 and -360) and 15ns (for -10).
2. The specified values are obtained with the DIMM data outputs open.

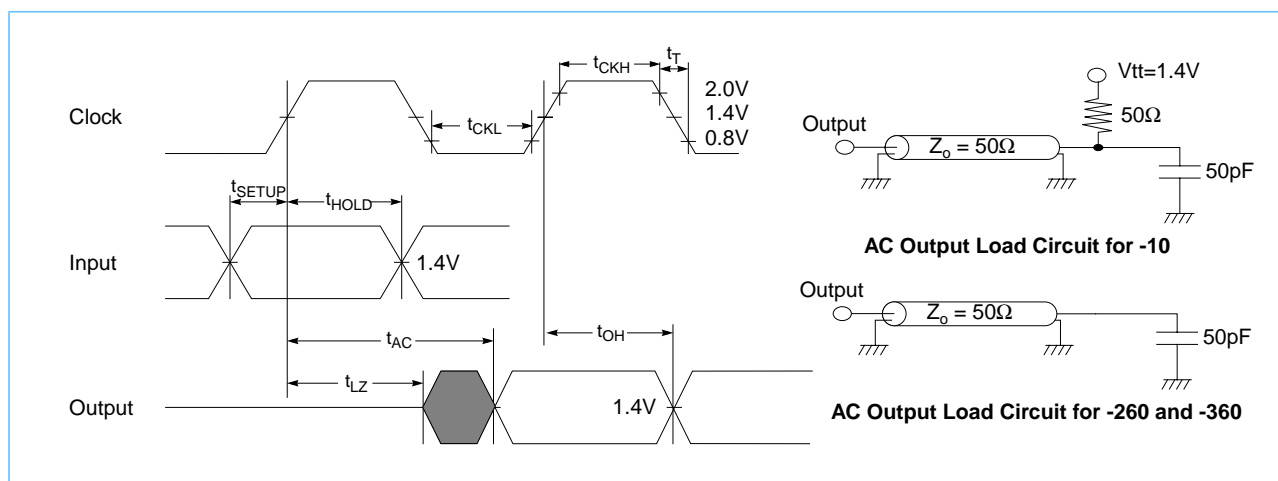


IBM13M8734HCC
8M x 72 1 Bank Registered/Buffered SDRAM Module

AC Characteristics ($T_A = 0$ to $+70^\circ\text{C}$, $V_{DD} = 3.3\text{V} \pm 0.3\text{V}$)

1. An initial pause of $200\mu\text{s}$, with CKE0 held high, is required after power-up. A Precharge All Banks command must be given followed by a minimum of eight Auto (CBR) Refresh cycles before or after the Mode Register Set operation.
2. AC timing tests have $V_{IL} = 0.8\text{V}$ and $V_{IH} = 2.0\text{V}$ with the timing referenced to the 1.40V crossover point.
3. The Transition time is measured between V_{IH} and V_{IL} (or between V_{IL} and V_{IH}).
4. AC measurements assume $t_T = 1.2\text{ns}$ (1 Volt/ns rise).
5. In addition to meeting the transition rate specification, the clock and CKE must transit between V_{IH} and V_{IL} (or between V_{IL} and V_{IH}) in a monotonic manner
6. A 1 ms stabilization time is required for the integrated PLL circuit to obtain phase lock of its feedback signal to its reference signal.

AC Characteristics Diagrams





Clock and Clock Enable Parameters

| Symbol | Parameter | | -260, (Device CL, t_{RCD} , t_{RP} = 2, 2, 2) | | -360, (Device CL, t_{RCD} , t_{RP} = 3, 2, 3) | | -10 | | Units | Notes |
|-----------|--|------------|--|------|--|------|------|------|-------|-------|
| | | | Min. | Max. | Min. | Max. | Min. | Max. | | |
| t_{CK4} | Clock Cycle Time, DIMM \overline{CAS} Latency = 4 | Registered | 10 | 1000 | 10 | 1000 | 15 | 1000 | ns | 1 |
| t_{CK3} | Clock Cycle Time, DIMM \overline{CAS} Latency = 3 | Registered | 10 | 1000 | 15 | 1000 | 15 | 1000 | ns | 1, 2 |
| | | Buffered | 10 | 1000 | 10 | 1000 | 15 | 1000 | ns | |
| t_{CK2} | Clock Cycle Time, DIMM \overline{CAS} Latency = 2 | Buffered | 10 | 1000 | 15 | 1000 | 15 | 1000 | ns | 1 |
| t_{AC4} | Clock Access Time, DIMM \overline{CAS} Latency = 4 | Registered | — | 7.7 | — | 7.7 | — | 9.7 | ns | 1, 3 |
| t_{AC3} | Clock Access Time, DIMM \overline{CAS} Latency = 3 | Registered | — | 7.7 | — | 10.7 | — | 10.7 | ns | 1, 3 |
| | | Buffered | — | 7.7 | — | 7.7 | — | 9.7 | ns | |
| t_{AC2} | Clock Access Time, DIMM \overline{CAS} Latency = 2 | Buffered | — | 7.7 | — | 10.7 | — | 10.7 | ns | 1, 3 |
| t_{CKH} | Clock High Pulse Width | | 3 | — | 3 | — | 3 | — | ns | 4 |
| t_{CKL} | Clock Low Pulse Width | | 3 | — | 3 | — | 3 | — | ns | 4 |
| t_{CES} | Clock Enable Set-up Time | Registered | 2.0 | — | 2.0 | — | 2.0 | — | ns | 1 |
| | | Buffered | 7.2 | — | 7.2 | — | 8.2 | — | ns | |
| t_{CEH} | Clock Enable Hold Time | Registered | 1.6 | — | 1.6 | — | 1.6 | — | ns | 1 |
| | | Buffered | 0.2 | — | 0.2 | — | 0.2 | — | ns | |
| t_{SB} | Power Down mode Entry Time | | 0 | 10 | 0 | 10 | 0 | 10 | ns | |
| t_T | Transition Time (Rise and Fall) | | 0.5 | 10 | 0.5 | 10 | 0.5 | 10 | ns | |

1. DIMM \overline{CAS} latency = device CL [clock cycles] + 1 for Register mode; DIMM \overline{CAS} latency is one clock less for Buffer mode.
2. For 66Mhz clock, DIMM \overline{CAS} Latency = 3 is the standard application.
3. Access time is measured at 1.4V. See AC output load circuit.
4. t_{CKH} is the pulse width of CLK measured from the positive edge to the negative edge referenced to V_{IH} (min). t_{CKL} is the pulse width of CLK measured from the negative edge to the positive edge referenced to V_{IL} (max).



IBM13M8734HCC
8M x 72 1 Bank Registered/Buffered SDRAM Module

Common Parameters

| Symbol | Parameter | -260 | | -360 | | -10 | | Units | Notes | |
|------------------|---|------------|--------|------|--------|------|--------|-------|-------|------|
| | | Min. | Max. | Min. | Max. | Min. | Max. | | | |
| t _{CS} | Command Setup Time | Registered | 2.0 | | 2.0 | | 2.0 | | ns | 1, 2 |
| | | Buffered | 7.2 | | 7.2 | | 8.2 | | ns | |
| t _{CH} | Command Hold Time | Registered | 1.6 | | 1.6 | | 1.6 | | ns | 1, 2 |
| | | Buffered | 0.2 | | 0.2 | | 0.2 | | ns | |
| t _{AS} | Address and Bank Select Set-up Time | Registered | 2.0 | | 2.0 | | 2.0 | | ns | 1, 2 |
| | | Buffered | 7.2 | | 7.2 | | 8.2 | | ns | |
| t _{AH} | Address and Bank Select Hold Time | Registered | 1.6 | | 1.6 | | 1.6 | | ns | 1, 2 |
| | | Buffered | 0.2 | | 0.2 | | 0.2 | | ns | |
| t _{RCD} | $\overline{\text{RAS}}$ to $\overline{\text{CAS}}$ Delay | 20 | | 20 | | 30 | | ns | 1 | |
| t _{RC} | Bank Cycle Time | 70 | | 70 | | 90 | | ns | 1 | |
| t _{RAS} | Active Command Period | 50 | 100000 | 50 | 100000 | 60 | 100000 | ns | 1 | |
| t _{RP} | Precharge Time | 20 | | 20 | | 30 | | ns | 1 | |
| t _{RRD} | Bank to Bank Delay Time | 20 | | 20 | | 30 | | ns | 1 | |
| t _{CCD} | $\overline{\text{CAS}}$ to $\overline{\text{CAS}}$ Delay Time (Same Bank) | 1 | | 1 | | 1 | | CLK | | |

1. These parameters account for the number of clock cycles and depend on the operating frequency of the clock as follows: the number of clock cycles = specified value of timing/clock period (count fractions as a whole number).
2. The setup and hold times refer to the addition of the register. Note that although the Buffered setup times appear much greater, there is no additional clock cycle as there is in Registered mode.

Mode Register Set Cycle

| Symbol | Parameter | -260 | | -360 | | -10 | | Units | Notes |
|------------------|------------------------------|------|------|------|------|------|------|-------|-------|
| | | Min. | Max. | Min. | Max. | Min. | Max. | | |
| t _{RSC} | Mode Register Set Cycle Time | 20 | — | 20 | — | 30 | — | ns | |

Refresh Cycle

| Symbol | Parameter | -260 | | -360 | | -10 | | Units | Notes |
|-------------------|------------------------|------|------|------|------|------|------|-------|-------|
| | | Min. | Max. | Min. | Max. | Min. | Max. | | |
| t _{SREX} | Self Refresh Exit Time | 10 | — | 10 | — | 10 | | CLK | 1 |
| t _{REF} | Refresh Period | — | 64 | — | 64 | | 64 | ms | |

1. 4096 cycles.



Read Cycle

| Symbol | Parameter | -260 | | -360 | | -10 | | Units | Notes |
|------------------|---------------------------------|------------|------|------|------|------|------|-------|-------|
| | | Min. | Max. | Min. | Max. | Min. | Max. | | |
| t _{OH} | Data Out Hold Time | 3.6 | | 3.6 | | 3.6 | | ns | |
| t _{LZ} | Data Out to Low Impedance Time | 1.9 | | 1.9 | | 1.9 | | ns | |
| t _{HZ} | Data Out to High Impedance Time | 4.9 | 9.9 | 4.9 | 9.9 | 4.9 | 11.9 | ns | 1 |
| t _{DQZ} | DQM Data Out Disable Latency | Registered | 3 | | 3 | | 3 | CLK | |
| | | Buffered | 2 | | 2 | | 2 | CLK | |

1. Referenced to the time at which the output achieves the open circuit condition, not to output voltage levels.

Write Cycle

| Symbol | Parameter | -260 | | -360 | | -10 | | Units |
|-------------------|-------------------------|------------|------|------|------|------|------|-------|
| | | Min. | Max. | Min. | Max. | Min. | Max. | |
| t _{DS} | Data In Setup Time | 2.0 | | 2.0 | | 3.0 | | ns |
| t _{DH} | Data In Hold Time | 2.0 | | 2.0 | | 2.0 | | ns |
| t _{DPL2} | Data Input to Precharge | 20 | | 20 | | 0 | | ns |
| t _{DPL3} | Data Input to Precharge | 10 | | 10 | | 0 | | ns |
| t _{DQW} | DQM Write Mask Latency | Registered | 1 | | 1 | | 1 | CLK |
| | | Buffered | 0 | | 0 | | 0 | CLK |

Presence Detect Read and Write Cycle

| Symbol | Parameter | Min. | Max. | Units | Notes |
|---------------------|---|------|------|-------|-------|
| f _{SCL} | SCL Clock Frequency | | 100 | kHz | |
| T _I | Noise Suppression Time Constant at SCL, SDA Inputs | | 100 | ns | |
| t _{AA} | SCL Low to SDA Data Out Valid | 0.3 | 3.5 | μs | |
| t _{BUF} | Time the Bus Must Be Free before a New Transmission Can Start | 4.7 | | μs | |
| t _{HD:STA} | Start Condition Hold Time | 4.0 | | μs | |
| t _{LOW} | Clock Low Period | 4.7 | | μs | |
| t _{HIGH} | Clock High Period | 4.0 | | μs | |
| t _{SU:STA} | Start Condition Setup Time (for a Repeated Start Condition) | 4.7 | | μs | |
| t _{HD:DAT} | Data In Hold Time | 0 | | μs | |
| t _{SU:DAT} | Data In Setup Time | 250 | | ns | |
| t _r | SDA and SCL Rise Time | | 1 | μs | |

1. The write cycle time (t_{WR}) is the time from a valid stop condition of a write sequence to the end of the internal erase/program cycle. During the write cycle, the bus interface circuits are disabled, SDA is allowed to remain high per the bus-level pull-up resistor, and the device does not respond to its slave address.



IBM13M8734HCC

8M x 72 1 Bank Registered/Buffered SDRAM Module

Presence Detect Read and Write Cycle

| Symbol | Parameter | Min. | Max. | Units | Notes |
|--------------|---------------------------|------|------|---------|-------|
| t_f | SDA and SCL Fall Time | | 300 | ns | |
| $t_{SU:STO}$ | Stop Condition Setup Time | 4.7 | | μ s | |
| t_{DH} | Data Out Hold Time | 300 | | ns | |
| t_{WR} | Write Cycle Time | | 15 | ms | 1 |

1. The write cycle time (t_{WR}) is the time from a valid stop condition of a write sequence to the end of the internal erase/program cycle. During the write cycle, the bus interface circuits are disabled, SDA is allowed to remain high per the bus-level pull-up resistor, and the device does not respond to its slave address.

Functional Description and Timing Diagrams

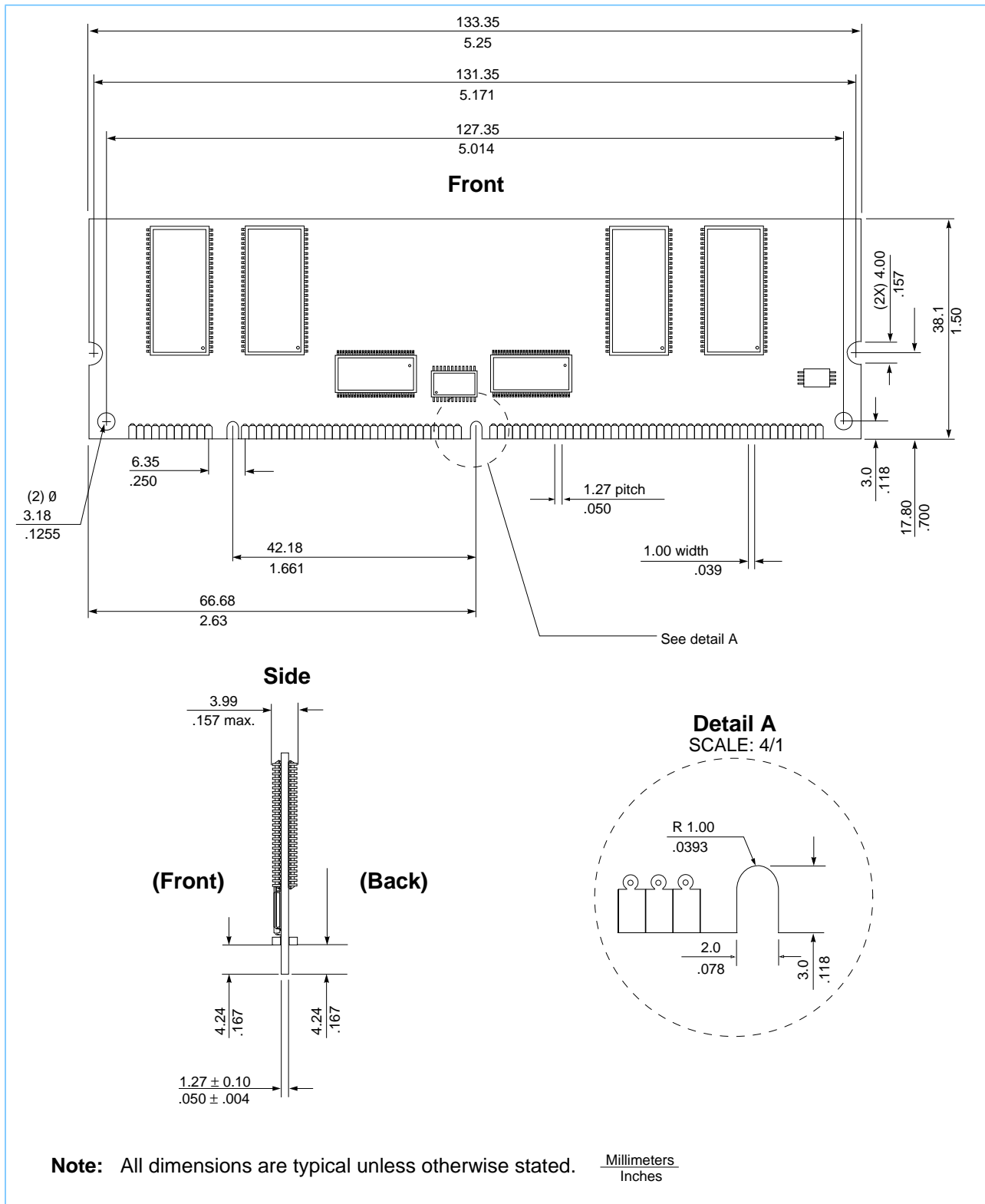
Refer to IBM 168 Pin SDRAM Registered DIMM Functional Description and Timing Diagrams (Document 01L5868.E24564) for registered-mode operation.

Refer to the IBM 64Mb Synchronous DRAM datasheet (Document 19L3264.E35855A) for the functional description and timing diagrams for buffered-mode operation.

Refer to the IBM Application Notes *Serial Presence Detect on Memory DIMMs* and *SDRAM Presence Detect Definitions* for the Serial Presence Detect functional description and timings.



Layout Drawing





IBM13M8734HCC
8M x 72 1 Bank Registered/Buffered SDRAM Module

Revision Log

| Rev | Contents of Modification |
|------|--|
| 4/98 | Initial release. |
| 6/98 | Updated Input Leakage Current. Added Note 4 to Clock Net wiring description. Updated DQ, CB capacitance. |
| 2/99 | Updated currents to reflect 1/28/99 64Mb Rev B Specs. Updated DQ capacitance to reflect 1/28/99 64Mb Rev B Specs. |



© International Business Machines Corp.1999

Printed in the United States of America
All rights reserved

IBM and the IBM logo are registered trademarks of the IBM Corporation.

This document may contain preliminary information and is subject to change by IBM without notice. IBM assumes no responsibility or liability for any use of the information contained herein. Nothing in this document shall operate as an express or implied license or indemnity under the intellectual property rights of IBM or third parties. The products described in this document are not intended for use in implantation or other direct life support applications where malfunction may result in direct physical harm or injury to persons. **NO WARRANTIES OF ANY KIND, INCLUDING, BUT NOT LIMITED TO, THE IMPLIED WARRANTIES OF MERCHANTABILITY OR FITNESS FOR A PARTICULAR PURPOSE, ARE OFFERED IN THIS DOCUMENT.**

For more information contact your IBM Microelectronics sales representative or visit us on World Wide Web at <http://www.chips.ibm.com>

IBM Microelectronics manufacturing is ISO 9000 compliant.