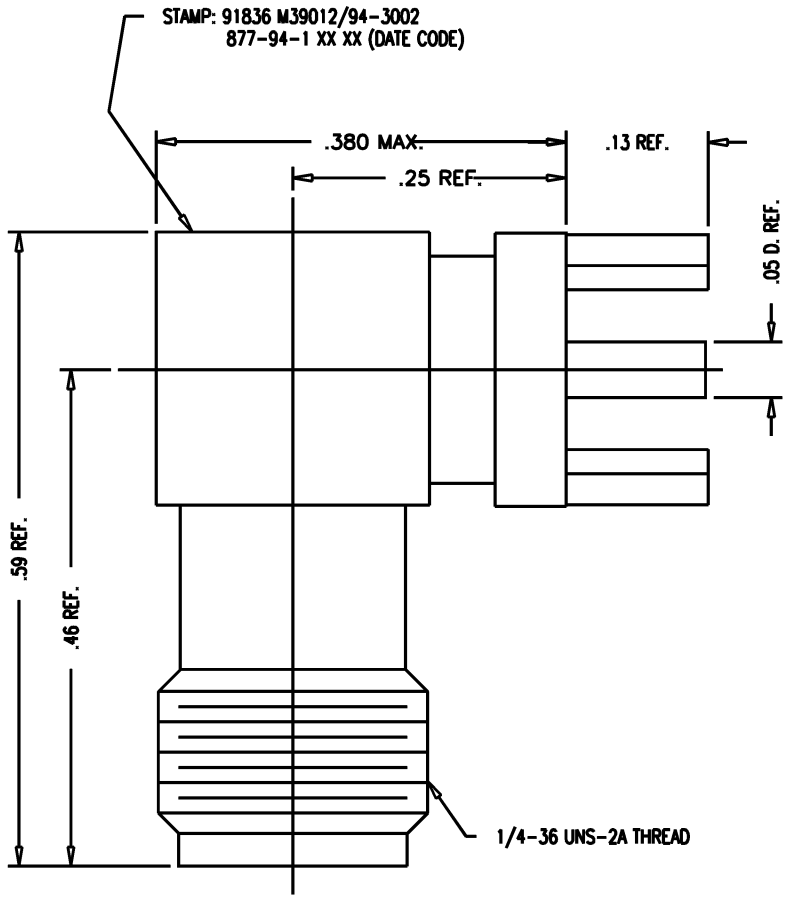
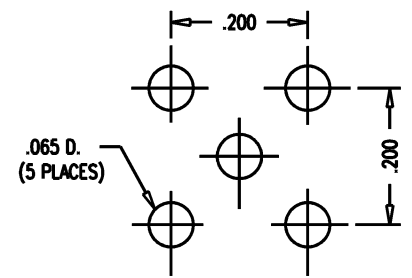
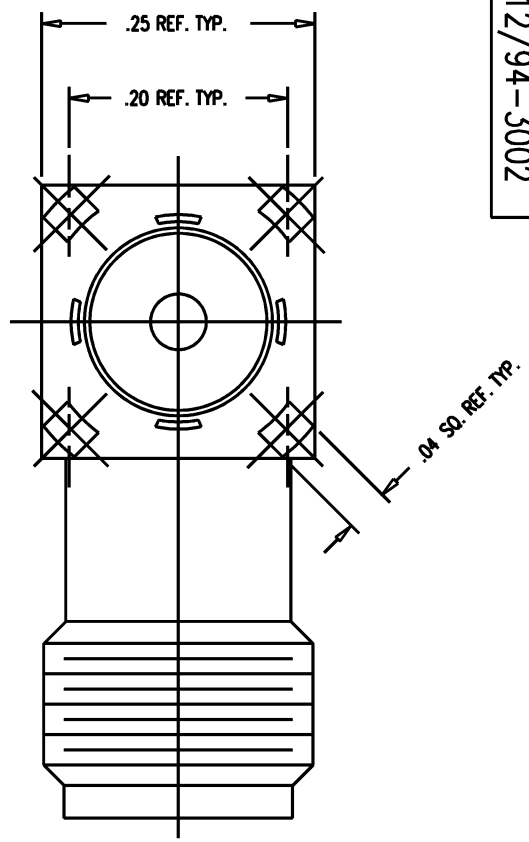


DASH NO.	M CODE	MADE FROM
----------	--------	-----------



- NOTES:
- INTERFACE PER MIL-STD-348 FIG. 310-2.
 - MATERIALS:
INSULATORS: TEFLON, ASTM-D4894
CENTER CONTACT: BER. COP., ASTM-B196
ALL OTHER PARTS: STAINLESS STEEL, SAE-AMS-00-S-763
 - FINISHES:
ALL METAL PARTS: HARD GOLD PLATE PER ASTM-B488
 - ELECTRICAL CHARACTERISTICS:
NOMINAL IMPEDANCE: 50 OHMS
VOLTAGE RATING: 1000 VRMS

GSD



MOUNTING HOLES

GSD

M39012/94-3002

REVISIONS	
ISSUE	CHANGES
0	ER 32925 JCA 03/01/91
1	CN 34192 E KH 10/15/92
2	CN 34485 C KH 03/05/93
3	CN 39474 A DCT 6/13/96
4	CN 39552 C JPK 08/07/06
5	CN 39815 C PMC 2/28/07

SCALE	8:1
APPROX SURFACE AREA	877-94-1
USED ON	
REF:	
RCPT, P.C.B., ANG, SMA	
DRAWN	JCA 00/01/91
DESIGN	GA 03/01/91
APPR.	DATE
KINGS ELECTRONICS CO., INC. ROCK HILL, SOUTH CAROLINA 29730	
M39012/94-3002	