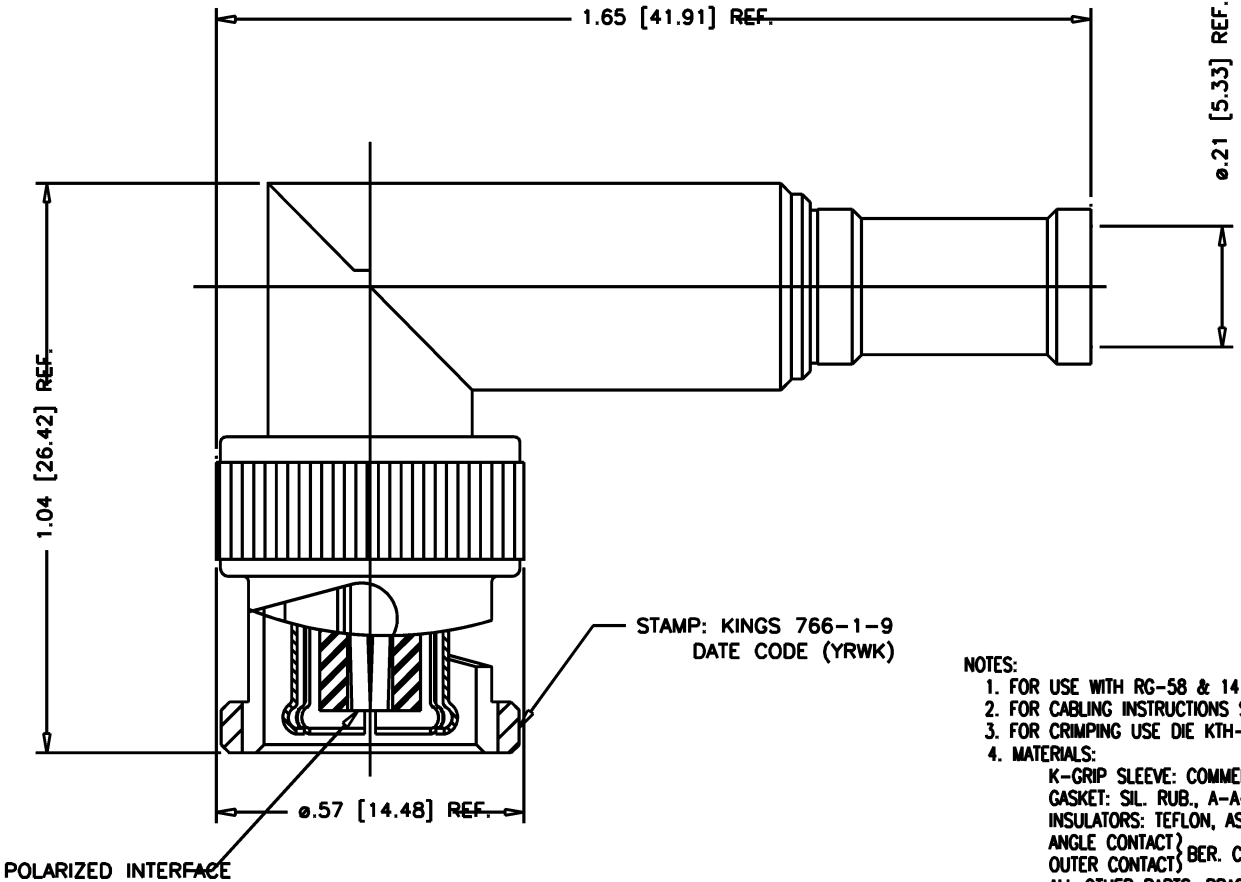


GSD

766-1-9



STAMP: KINGS 766-1-9
DATE CODE (YRWK)

- NOTES:
- FOR USE WITH RG-58 & 141/U CABLE GROUPS.
 - FOR CABLING INSTRUCTIONS SEE CP-401.
 - FOR CRIMPING USE DIE KTH-2061.
 - MATERIALS:
K-GRIP SLEEVE: COMMERCIAL BRONZE, ASTM-B-135
GASKET: SIL. RUB., A-A-59588
INSULATORS: TEFLON, ASTM-D-4894
ANGLE CONTACT }
OUTER CONTACT } BER. COPPER, ASTM-B-196
ALL OTHER PARTS: BRASS, ASTM-B16
 - FINISHES:
CENTER CONTACTS: HARD GOLD PLATE PER ASTM-B488
OUTER CONTACT }
SPRING CONTACT } SILVER PLATE PER ASTM-B700
ALL OTHER METAL PARTS: KINGS TARNISH RESISTANT NICKEL FINSH (TR-5)
 - ELECTRICAL CHARACTERISTICS:
FREQUENCY RANGE: DC TO 4 GHz.
VOLTAGE RATING: 500 VRMS
NOMINAL IMPEDANCE: 50 OHMS
 - DIMENSIONS IN INCHES [MM].

REVISIONS

ISSUE	CHANGES
2	CN 39861 A REDRAWN DCT 3/27/7

SCALE 4:1	
APPROX SURFACE AREA	
USED ON	
REF:	
PLUG, ANG, BNC, POL	
DRAWN DCT	DATE 3/27/7
DESIGN	DATE
APPR.	DATE

KINGS
ELECTRONICS CO., INC.
ROCK HILL, SOUTH CAROLINA 29730

766-1-9

GSD