

6

5

4

3

2

1

**MATERIAL AND FINISH:**

Insulator: Polycarbonate, UL-94V-0 rated

Contacts: Brass, Nickel plated

**ELECTRICAL SPECIFICATIONS:**

Current rating: 16 A

Voltage rating: 250 VAC



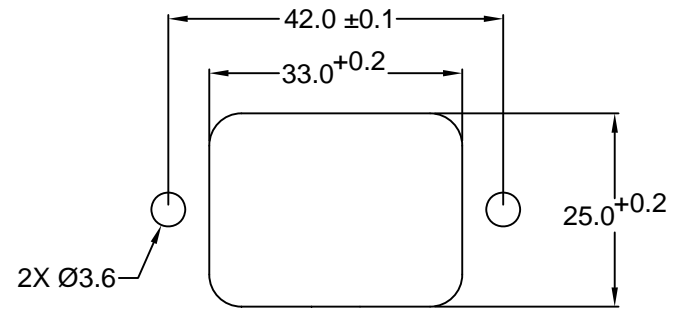
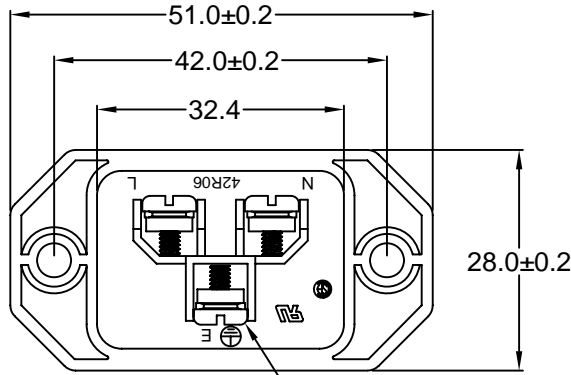
Current rating: 20 A

Voltage rating: 250 VAC



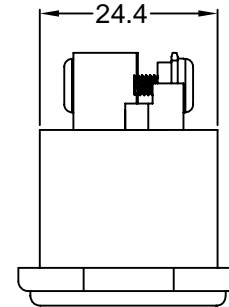
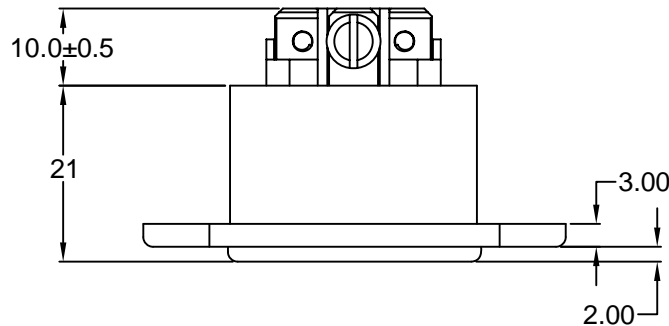
Insulation resistance: 100 Mohm min. at 500 VDC

Dielectric withstanding voltage: 2000 VAC for one minute



**RECOMMENDED PANEL CUTOUT**

M3x6.0mm SCREW TERMINIALS



**ORDERING CODE:**

42R06-1    1     
                  1    2

**1) COLOR**

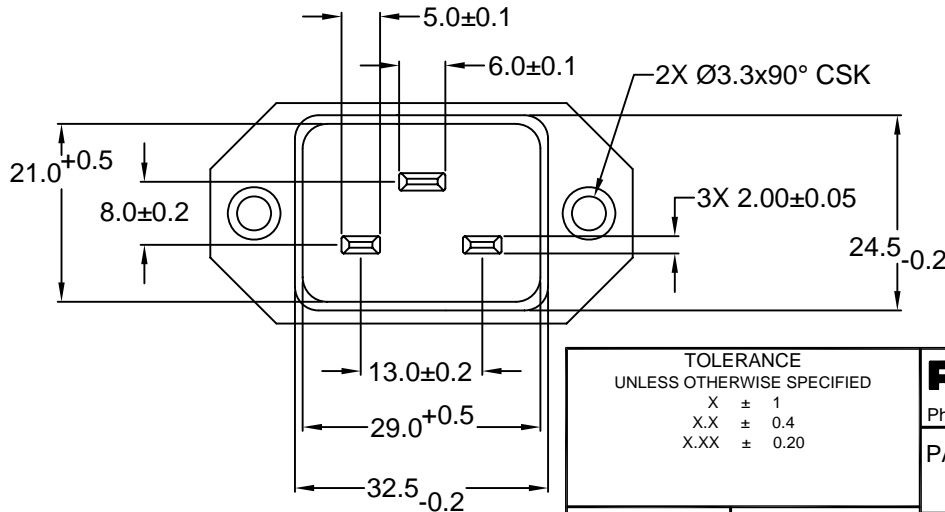
- 1 = BLACK
- 2 = GRAY

**2) ELECTRICAL CIRCUIT CONFIGURATION**

1 = 20A 250V 70°C 2+GROUND

2 = 20A 250V 155°C 2+GROUND

4 = 20A 250V 70°C 2 POLE



**RoHS COMPLIANT**

TOLERANCE UNLESS OTHERWISE SPECIFIED	
X	± 1
X.X	± 0.4
X.XX	± 0.20

**Power Dynamics, Inc.**  
Phone: 973 560-0019 Whippany, New Jersey Fax: 973 560-0076

PART: 16/20A IEC 60320 APPL. INLET; SCREW TERMINALS; SIDE FLANGE, PANEL MOUNT

DRAWN BY	GQ	DATE:	08/21/01
CHECK BY	TD	DATE:	08/28/01
APPR BY	PB	DATE:	08/28/01

PART #: 42R06-1X1X		SHEET 1 of 1
SIZE: A	ALL DIMENSIONS FOR REFERENCE ONLY DIMENSIONS ARE IN MILLIMETERS	REV:
SCALE: NTS		

D

C

B

A

REVISIONS	
CHNG	CHECK APPR
CHANGE	
REV	DATE