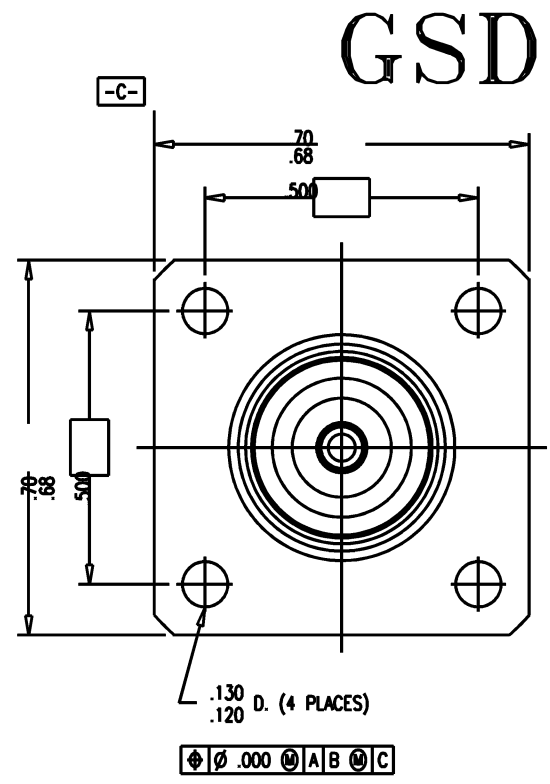
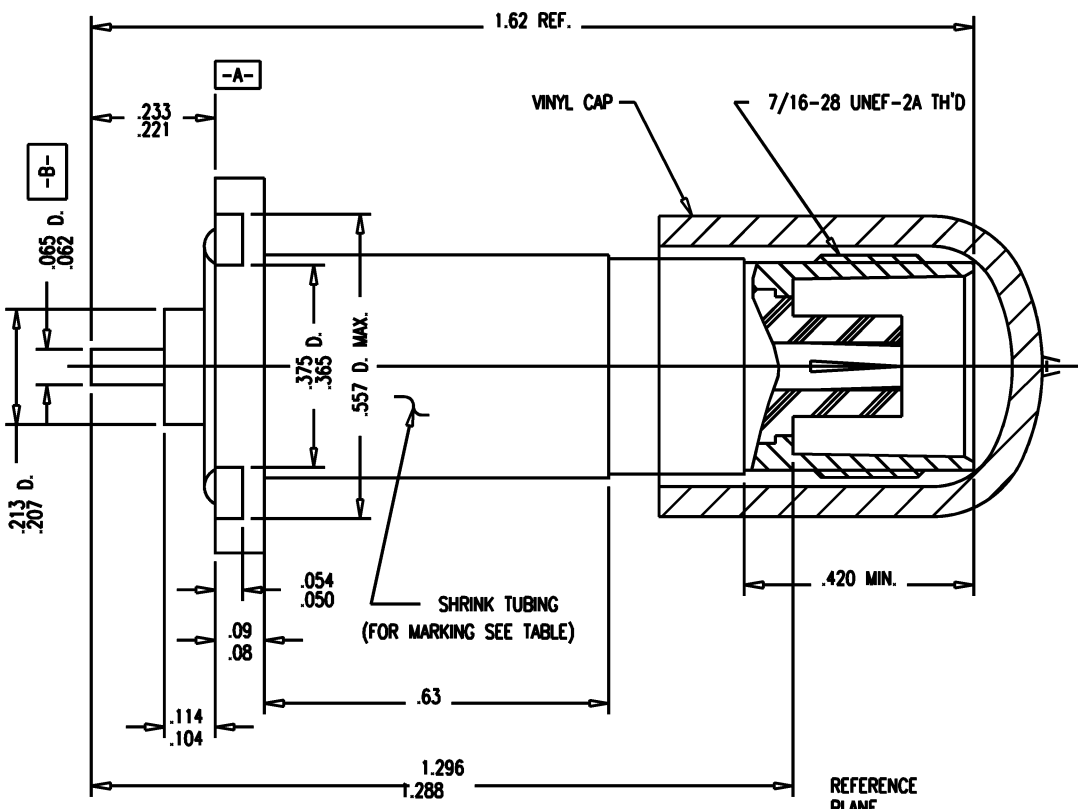


DASH NO.	M CODE	MADE FROM
----------	--------	-----------



GSD

127-36-*

REVISIONS

ISSUE	CHANGES
1	CN 37925 E TML 10/25/99

127-36-SD

- NOTES:
- INTERFACE TO BE IN ACCORDANCE WITH MIL-STD-348 FIG. 313-2.
 - MATERIALS:
INSULATOR-TEFLON, ASTM-D-4894
CENTER CONTACT-BER. COP., ASTM-B-196
O-RING-SILICONE RUBBER, ZZ-R-765
SHRINK TUBING-POLYOLEFIN PER MIL-I-23053/5
BODY-BRASS, ASTM-B16
 - FINISHES:
CENTER CONTACT-GOLD PLATE PER MIL-G-45204
BODY-KINGS TARNISH RESISTANT FINISH (TR-5)
 - ELECTRICAL CHARACTERISTICS:
NOMINAL IMPEDANCE-50 OHMS
FREQUENCY RANGE-DC TO 1.10 GHZ
WORKING VOLTAGE-500 VOLTS RMS
VSWR: 1.07 MAX.
 - DIMENSIONING SYMBOLS IAW ANSI Y14.5M.

REFERENCE PLANE (SEE NOTE 1)

KINGS P/N	CODE	MARKING
127-36-1	J1	J1
127-36-2	J2	J2
127-36-3	J3	J3
127-36-4	J4	J4

SCALE 4:1
APPROX SURFACE AREA
WAS: E-19677
USED ON 127-36
REF: CHELTON DWG. NO. 8013-0850 REV. B
RECEPTACLE, PANEL, TNC
DRAWN GEH DATE 06/03/99
DESIGN GEH DATE 06/03/99
APPR. GEH DATE 06/08/99

KINGS
ELECTRONICS CO., INC.
ROCK HILL, SOUTH CAROLINA 29730

127-36-*

GSD