

PLEASE CHECK WWW.MOLEX.COM FOR LATEST PART INFORMATION

Part Number: [0449141001](#)
Status: **Active**
Overview: [microfit_30](#)
Description: 3.00mm (.118") Pitch Micro-Fit 3.0 CPI™ Header, Compliant Pin Interface, Dual Row, Vertical, 10 Circuits, Tin (Sn) Plating, Glow Wire Compatible

Documents:

[3D Model](#) [Product Specification PS-43045 \(PDF\)](#)
[Drawing \(PDF\)](#) [RoHS Certificate of Compliance \(PDF\)](#)

Agency Certification

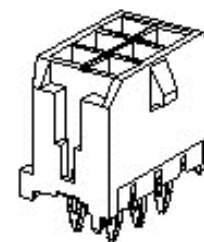
CSA LR19980
TUV R72081037
UL E29179

General

Product Family PCB Headers
Series [44914](#)
Application Wire-to-Board
Application Tooling Part Link 622008400
Comments Glow Wire Equivalent Part Number [449141001](#) . High Temperature, Square Pin
Overview [microfit_30](#)
Product Literature Order No USA-106
Product Name Micro-Fit 3.0 CPI™

Physical

Breakaway No
Circuits (Loaded) 10
Circuits (maximum) 10
Color - Resin Black
Durability (mating cycles max) 30
Flammability 94V-0
Glow-Wire Compliant Yes
Material - Metal High Performance Alloy (HPA)
Material - Plating Mating Tin
Material - Plating Termination Tin
Material - Resin High Temperature Thermoplastic
Number of Rows 2
Orientation Vertical
PCB Locator Yes
PCB Retention Yes
Packaging Type Tray
Pitch - Mating Interface (in) 0.118 In
Pitch - Mating Interface (mm) 3.00 mm
Plating min: Mating (µin) 200
Plating min: Mating (µm) 5
Plating min: Termination (µin) 200
Plating min: Termination (µm) 5
Polarized to PCB Yes
Shrouded Fully
Stackable No
Surface Mount Compatible (SMC) No
Temperature Range - Operating -40°C to +105°C
Termination Interface: Style Through Hole - Compliant Pin



Series

image - Reference only

EU RoHS

ELV and RoHS Compliant
REACH SVHC
Contains SVHC: No
Halogen-Free Status

China RoHS



Halogen-Free

Need more information on product environmental compliance?

Email productcompliance@molex.com
For a multiple part number RoHS Certificate of Compliance, [click here](#)

Please visit the [Contact Us](#) section for any non-product compliance questions.

Search Parts in this Series

[44914Series](#)

Mates With

[43025-1000](#)

Application Tooling | FAQ

Tooling specifications and manuals are found by selecting the products below. Crimp Height Specifications are then contained in the Application Tooling Specification document.

Global

| Description | Product # |
|---------------------|----------------------------|
| Micro-Fit™ | 0622008400 |
| Compliant Pin | |
| Insertion Flat Rock | |
| Tool | |

Electrical

Current - Maximum per Contact

5A

Voltage - Maximum

250V

Material Info**Reference - Drawing Numbers**

Packaging Specification

PK-70873-0314

Product Specification

PS-43045, RPS-43045-003, RPS-43045-004

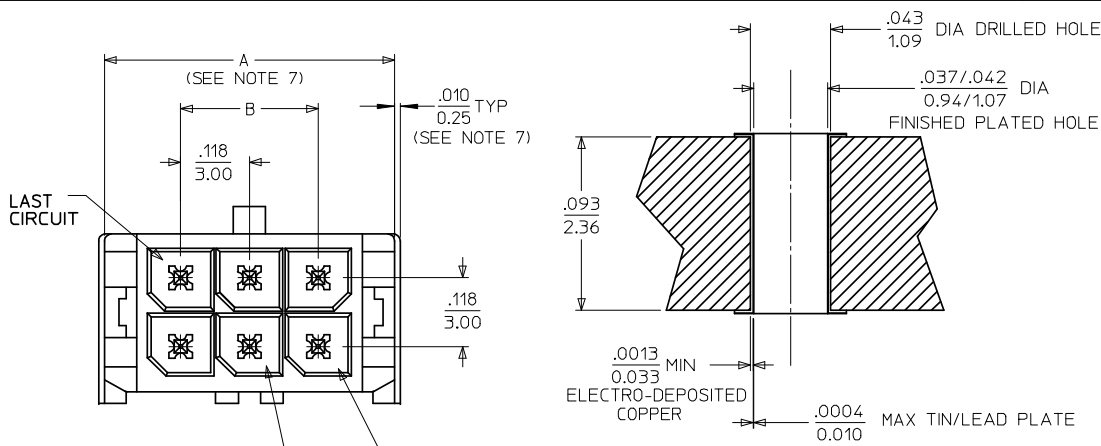
Sales Drawing

SD-44914-001

This document was generated on 05/24/2010

PLEASE CHECK WWW.MOLEX.COM FOR LATEST PART INFORMATION

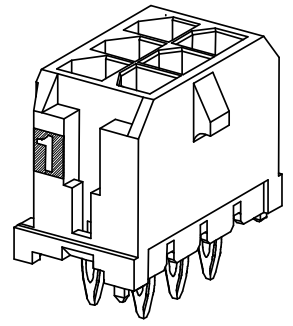
13 12 11 10 9 8 7 6 5 4 3 2 1



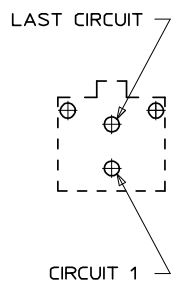
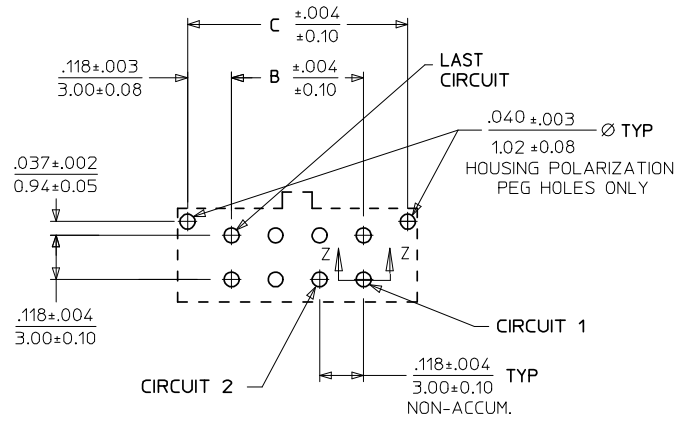
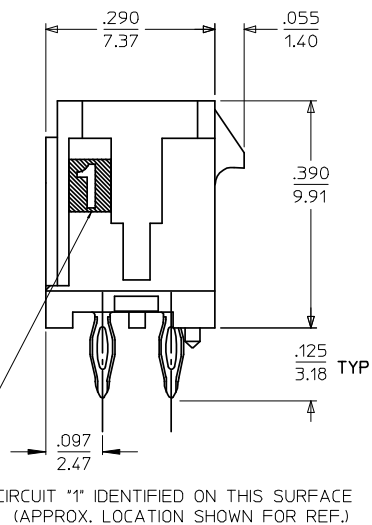
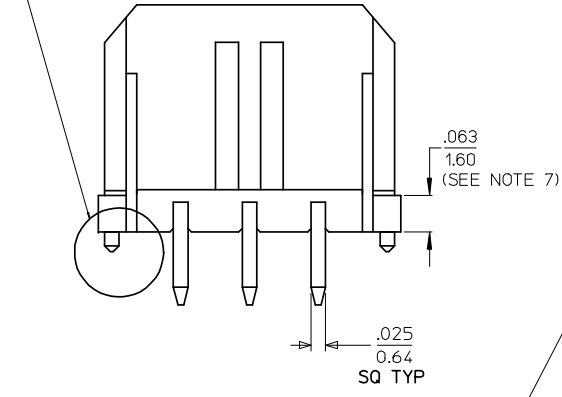
| | FINISH: A | FINISH: B | FINISH: C |
|------|--------------|--------------|--------------|
| CKTS | MATERIAL NO: | MATERIAL NO: | MATERIAL NO: |
| 02 | 44914-0201 | 44914-0202 | 44914-0203 |
| 04 | 44914-0401 | 44914-0402 | 44914-0403 |
| 06 | 44914-0601 | 44914-0602 | 44914-0603 |
| 08 | 44914-0801 | 44914-0802 | 44914-0803 |
| 10 | 44914-1001 | 44914-1002 | 44914-1003 |
| 12 | 44914-1201 | 44914-1202 | 44914-1203 |
| 14 | 44914-1401 | 44914-1402 | 44914-1403 |
| 16 | 44914-1601 | 44914-1602 | 44914-1603 |
| 18 | 44914-1801 | 44914-1802 | 44914-1803 |
| 20 | 44914-2001 | 44914-2002 | 44914-2003 |
| 22 | 44914-2201 | 44914-2202 | 44914-2203 |
| 24 | 44914-2401 | 44914-2402 | 44914-2403 |

| CKTS | A (SEE NOTE 7) | B | C |
|------|-------------------|----------------|----------------|
| 02 | .262 6.65 | NA | .236 6.00 |
| 04 | .380 9.65 | .118 3.00 | .354 9.00 |
| 06 | .498 12.65 | .236 6.00 | .472 12.00 |
| 08 | .616 15.65 | .354 9.00 | .591 15.00 |
| 10 | .734 18.65 | .472 12.00 | .709 18.00 |
| 12 | .852 21.65 | .591 15.00 | .827 21.00 |
| 14 | .970 24.65 | .709 18.00 | .945 24.00 |
| 16 | 1.088 27.65 | .827 21.00 | 1.063 27.00 |
| 18 | 1.206 30.65 | .945 24.00 | 1.181 30.00 |
| 20 | 1.325 33.65 | 1.063 27.00 | 1.299 33.00 |
| 22 | 1.443 36.65 | 1.181 30.00 | 1.417 36.00 |
| 24 | 1.561 39.65 | 1.299 33.00 | 1.535 39.00 |

SECTION Z-Z
SCALE : 20/1



NOTE : (2) POLARIZATION PEGS ARE SHOWN. HOWEVER, ASSEMBLIES MAY BE MANUFACTURED WITH (1) PEG ONLY.



NOTES:

- HOUSING MATERIAL: GLASS FILLED LIQUID CRYSTAL POLYMER, UL94V-0, COLOR: BLACK
TERMINAL MATERIAL: MODIFIED TIN/BRASS ALLOY
- FINISH: A = .000200/(0.0051) MIN. TIN OVER .000050/(0.0013) MIN. NICKEL PLATE.
B = .000015/(0.00038) MINIMUM GOLD IN SELECTIVE AREA,
.000060/(0.00152) MINIMUM TIN/LEAD (90/10) ON PCB TAILS,
BOTH OVER .000050/(0.00127) MINIMUM NICKEL PLATE.
C = .000030/(0.00076) MINIMUM GOLD IN SELECTIVE AREA,
.000060/(0.00152) MINIMUM TIN/LEAD (90/10) ON PCB TAILS,
BOTH OVER .000050/(0.00127) MINIMUM NICKEL PLATE.
- PRODUCT SPECIFICATION: PS-43045
- TRAY PACKAGED: SEE MOLEX DRAWING PK-70873-0314
- MATES WITH MICRO FIT (3.0) RECEPTACLE SERIES 43025
- HEADER INSTALLATION REQUIRES A MINIMUM FORCE OF 24LBS/(107 N) PER CIRCUIT DISTRIBUTED EQUALLY ACROSS THE ENTIRE HOUSING SURFACE.
- .010/0.25 OFFSETS ARE PRESENT ON ALL PARTS MANUFACTURED AFTER 11/1/2007, AND ON PARTS PRIOR TO 11/1/2007 THAT CONTAIN A GREEN DOT ON THE PRIMARY SHIPPING CARTON LABEL.
- THIS PART CONFORMS TO CLASS B REQUIREMENTS OF COSMETIC SPECIFICATION PS-45499-002.

PCB LAYOUT: COMPONENT SIDE
RECOMMEND PCB THICKNESS: .093/2.36

PCB LAYOUT: 2 CKT HEADER

| ADD .097 DIM. NOTE 8 EC NO: UCP2008-0324 DRWN:MKI/PPER 2007/12/19 CHKD:SSOUSEK 2007/12/20 APPR:FSMLTH 2007/12/21 H2 REV | QUALITY SYMBOLS ▽=0 ▽=0 | GENERAL TOLERANCES (UNLESS SPECIFIED) <table border="1"> <tr> <th></th> <th>mm</th> <th>INCH</th> </tr> <tr> <td>4 PLACES</td> <td>±---</td> <td>±---</td> </tr> <tr> <td>3 PLACES</td> <td>±---</td> <td>±.010</td> </tr> <tr> <td>2 PLACES</td> <td>±0.25</td> <td>±.014</td> </tr> <tr> <td>1 PLACE</td> <td>±0.36</td> <td>±---</td> </tr> </table> | | mm | INCH | 4 PLACES | ±--- | ±--- | 3 PLACES | ±--- | ±.010 | 2 PLACES | ±0.25 | ±.014 | 1 PLACE | ±0.36 | ±--- | DIMENSION STYLE IN/MM | SCALE --- | DESIGN UNITS METRIC | THIRD ANGLE PROJECTION |
|---|-------------------------------|--|-------|--|------|----------|------|------|----------|------|-------|----------|-------|-------|---------|-------|------|--------------------------|--------------|------------------------|------------------------|
| | | mm | INCH | | | | | | | | | | | | | | | | | | |
| | 4 PLACES | ±--- | ±--- | | | | | | | | | | | | | | | | | | |
| | 3 PLACES | ±--- | ±.010 | | | | | | | | | | | | | | | | | | |
| 2 PLACES | ±0.25 | ±.014 | | | | | | | | | | | | | | | | | | | |
| 1 PLACE | ±0.36 | ±--- | | | | | | | | | | | | | | | | | | | |
| DRAWN BY BURLERSON 2001/08/30 | | DATE 2001/08/30 | | TITLE MICRO FIT HEADER VERTICAL COMPLIANT PIN TRAY PACKED | | | | | | | | | | | | | | | | | |
| CHECKED BY MUELLER 2001/08/30 | | DATE 2001/08/30 | | MOLEX MOLEX INCORPORATED | | | | | | | | | | | | | | | | | |
| APPROVED BY MARGULIS 2001/08/30 | | DATE 2001/08/30 | | DOCUMENT NO. SD-44914-001 | | | | | | | | | | | | | | | | | |
| DRAFT WHERE APPLICABLE MUST REMAIN WITHIN DIMENSIONS | | SEE CHART | | SHEET NO. 1 OF 1 | | | | | | | | | | | | | | | | | |
| THIS DRAWING CONTAINS INFORMATION THAT IS PROPRIETARY TO MOLEX INCORPORATED AND SHOULD NOT BE USED WITHOUT WRITTEN PERMISSION | | | | | | | | | | | | | | | | | | | | | |

12 11 10 9 8 7 6 5 4 3 2 1