

TOSHIBA Bipolar Linear Integrated Circuit

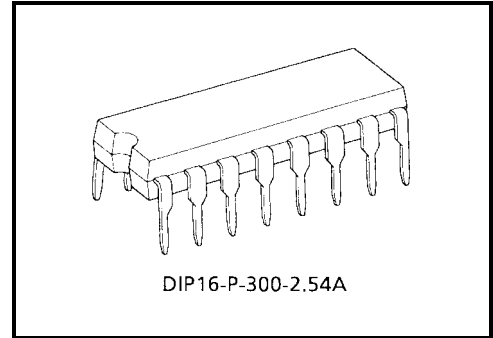
TA8492P

3-Phase Full-Wave Brushless DC Motor Driver IC

The TA8492P is a 3-phase, full-wave, supply voltage-control motor driver IC.

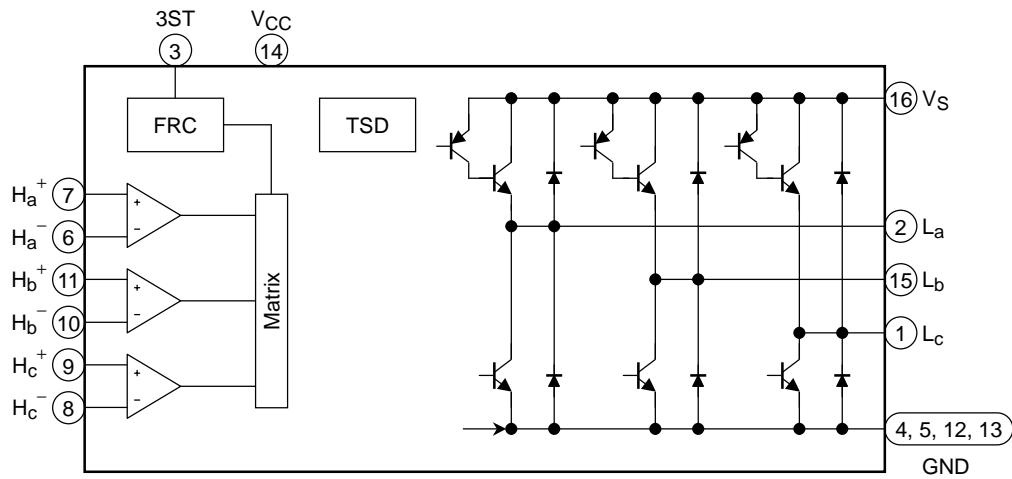
Features

- Output current: $I_O (\text{max}) = 1.5 \text{ A}$
- Supply voltage control motor driver
- CW/CCW/STOP function
- Operating voltage range: $V_{CC} (\text{opr.}) = 7\sim 18 \text{ V}$
 $V_S (\text{opr.}) = 0\sim 18 \text{ V}$



Weight: 1.11 g (typ.)

Block Diagram



Pin Function

Pin No.	Symbol	Function
1	L_c	c-phase drive output pin
2	L_a	a-phase drive output pin
3	3ST	Switching CW/CCW/Stop
4	GND	—
5	GND	—
6	H_a^-	a-phase negative hall signal input pin
7	H_a^+	a-phase positive hall signal input pin
8	H_c^-	c-phase negative hall signal input pin
9	H_c^+	c-phase positive hall signal input pin
10	H_b^-	b-phase negative hall signal input pin
11	H_b^+	b-phase positive hall signal input pin
12	GND	—
13	GND	—
14	V_{CC}	Supply voltage pin for control circuits
15	L_b	b-phase drive output pin
16	V_S	Supply voltage pin for output circuit

Function

FRS	Hall Input			Output		
	H_a	H_b	H_c	L_a	L_b	L_c
Forward	1	0	1	L	H	M
	1	0	0	L	M	H
	1	1	0	M	L	H
	0	1	0	H	L	M
	0	1	1	H	M	L
	0	0	1	M	H	L
Reverse	1	0	1	H	L	M
	1	0	0	H	M	L
	1	1	0	M	H	L
	0	1	0	L	H	M
	0	1	1	L	M	H
	0	0	1	M	L	H
Stop	1	0	1	High Impedance		
	1	0	0			
	1	1	0			
	0	1	0			
	0	1	1			
	0	0	1			

Maximum Ratings (Ta = 25°C)

Characteristics	Symbol	Rating	Unit
Supply voltage	V _S	20	V
	V _{CC}	20	V
Output current	I _O	1.5	A
Power dissipation	P _D	1.4 (Note 1)	W
		2.7 (Note 2)	
Operating temperature	T _{opr}	-30~85	°C
Storage temperature	T _{stg}	-55~150	°C

Note 1: Not mounted on the PCB

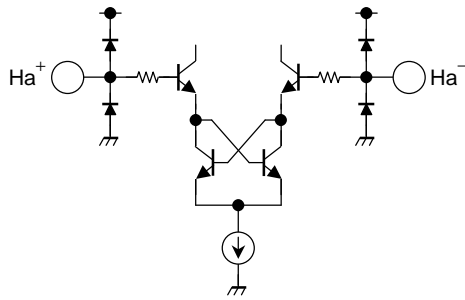
Note 2: Mounted on the PCB (PCB area: 50 × 50 × 0.8 mm cu area: over 60%)

Electrical Characteristics (Ta = 25°C, V_{CC} = V_S = 12 V)

Characteristics		Symbol	Test Circuit	Test Condition	Min	Typ.	Max	Unit
Supply current	Upper	I _{CC-1}	1	V _{CC} = 12 V, 3ST: GND, V _S : Open	—	5.0	7.0	mA
	Lower	I _{CC-2}		V _{CC} = 18 V, 3ST: GND, V _S : Open	—	6.0	9.0	
		I _{CC-3}		Stop (3ST = V _{CC})	—	2.5	4	
Output saturation voltage	Upper	V _{SAT (U)}	2	I _O = 1 A (source current)	—	1.35	1.7	V
	Lower	V _{SAT (L)}	3	I _O = 1 A (sink current)	—	0.4	0.6	
Output leak current	Upper	I _{L (U)}	4	V _S = 20 V	—	—	50	μA
	Lower	I _{L (L)}	5	V _S = 20 V	—	—	50	
Hall Amp.	Input sensitivity	V _H	6	—	20	—	400	mV _{p-p}
	Common mode input voltage range	V _{CMRH}	7	—	2	—	V _{CC} - 3.5	V
CW/CCW control operation voltage	Stop	V _{STP}	6	—	V _{CC} - 0.4	—	V _{CC}	V
	CW	V _{FW}		—	2.5	—	6.5	
	CCW	V _{RV}		—	0	—	0.4	
Thermal shut-down operating temperature		T _{SD}	—	—	—	160	—	°C

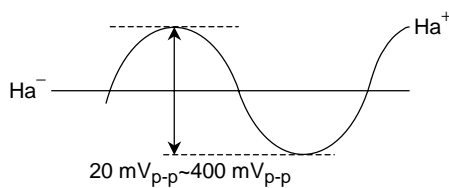
Functional Description

- Hall amp. circuit

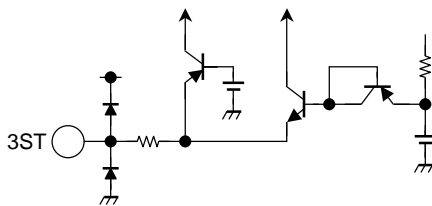


The Hall amp is a high-gain amp. The input sensitivity is 20 mV_{p-p} (min). Make sure that the input amplitude does not exceed 400 mV_{p-p}.

The common mode voltage $V_{CMRH} = 2.0$ to $V_{CC} - 3.5$ V.



- CW/CCW/Stop control circuit

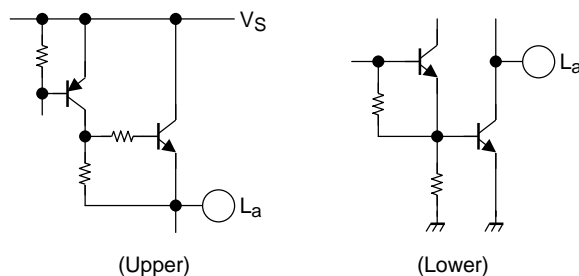


In Reverse mode, the control input (3ST) voltage range is $V_{RV} = 0$ to 0.4 V. However, keep the voltage as close to the IC GND as possible (see the application circuit diagram).

Similarly, in Stop mode, keep the voltage as close to the IC V_{CC} as possible.

In Forward mode, Toshiba recommend the input voltage be $V_{CC}/2$.

- Output circuit



The output circuit uses voltage control where the upper and lower output transistors are saturated and the output current is controlled by the V_S voltage. To reduce switching noise, connect a snubber capacitor to the output circuit.

- Thermal shut-down circuit

The circuit turns off output when $T_j = 160^\circ\text{C}$ (typ.) (according to design specification)

Handling Precautions

(CW/CCW/Stop control circuit)

- a) At 3ST input, because the input voltage ranges for VRV (Reverse mode) and VSTP (Stop mode) are narrow, make sure no impedance is caused between the IC VCC and GND pins. Do not connect an input resistor to the 3ST pin because it causes voltage offset.
- b) When controlling the rotation direction using 3ST input, switch the direction from Reverse to Stop mode or vice versa with $V_S = 0$ V, because punch-through current may be generated at output.

(Hall amp. circuit)

A Hall IC input amplitude of over 400 mV_{p-p} causes an output function error. Make sure the amplitude is within the specified range.

(Output circuit)

Utmost care is necessary in the design of the output fine, V_S , VCC and GND line since IC may be destroyed due to short-circuit between output air contamination fault, or fault by improper grounding

External parts

Symbol	Function	Recommended Value	Remarks
C ₁	Power supply line oscillation prevention	4.7 μ F	—
C ₂	Power supply line oscillation prevention	4.7 μ F	—
C ₃	Output noise reduction	4.7 μ F	(Note 3)
R ₁	Hall bias	—	(Note 4)

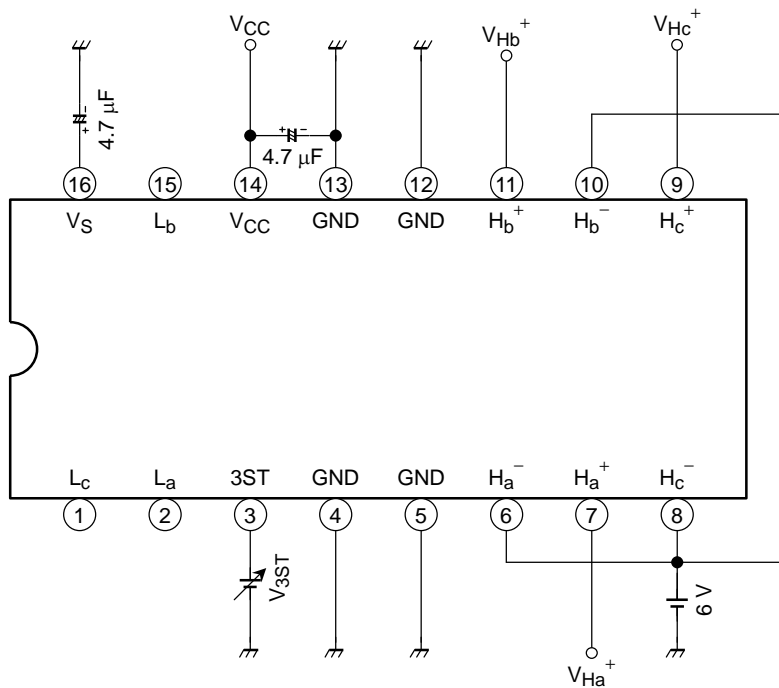
Note 3: Set an appropriate value depending on the motor and use conditions.

Set an appropriate value so that the Hall IC output common mode input voltage and amplitude fall within the specified ranges in the Electrical Characteristics table.

Note 4: Be sure to set this bias so that the Hall element output amplitude and common mode input voltage fall within the ranges specified in the table of electrical characteristic.

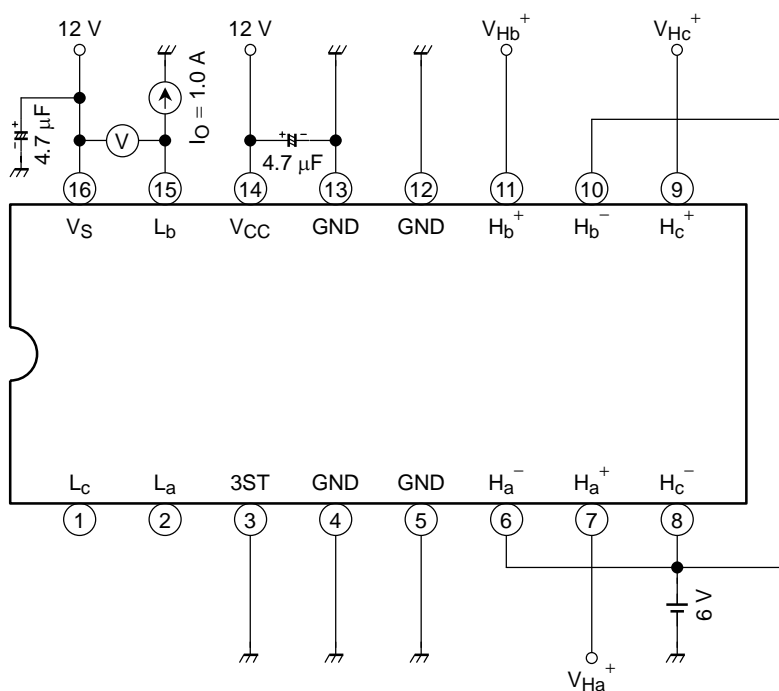
Test circuit

1. Icc1, Icc2, Icc3



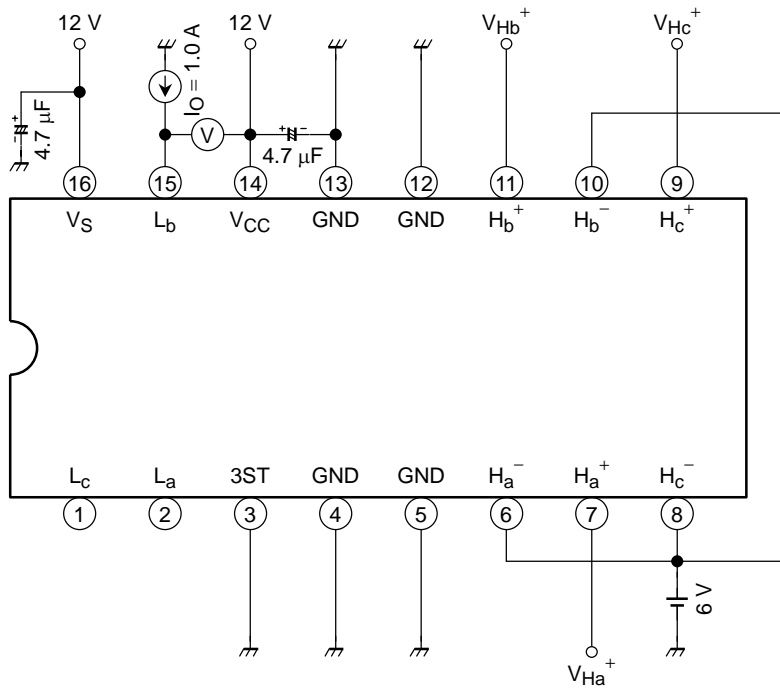
- Icc1: Input V_{Ha}^+ , V_{Hb}^+ , V_{Hc}^+ (6.01 V/5.99 V). $V_{CC} = 12\text{ V}/V_{3ST} = \text{GND}$
- Icc2: Input V_{Ha}^+ , V_{Hb}^+ , V_{Hc}^+ (6.01 V/5.99 V). $V_{CC} = 18\text{ V}/V_{3ST} = \text{GND}$
- Icc3: Input V_{Ha}^+ , V_{Hb}^+ , V_{Hc}^+ (6.01 V/5.99 V). $V_{CC} = 12\text{ V}/V_{3ST} = V_{CC}$

2. VSAT (U)



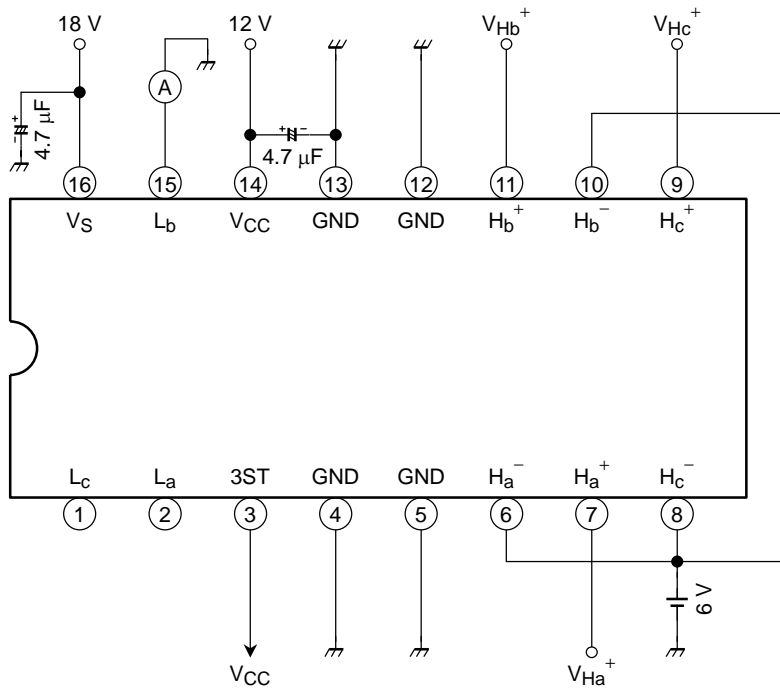
- VSAT (U): Input V_{Ha}^+ , V_{Hb}^+ , V_{Hc}^+ (6.01 V/5.99 V), check that the output function is at High level, then measure phases a, b, and c.

3. VSAT (L)



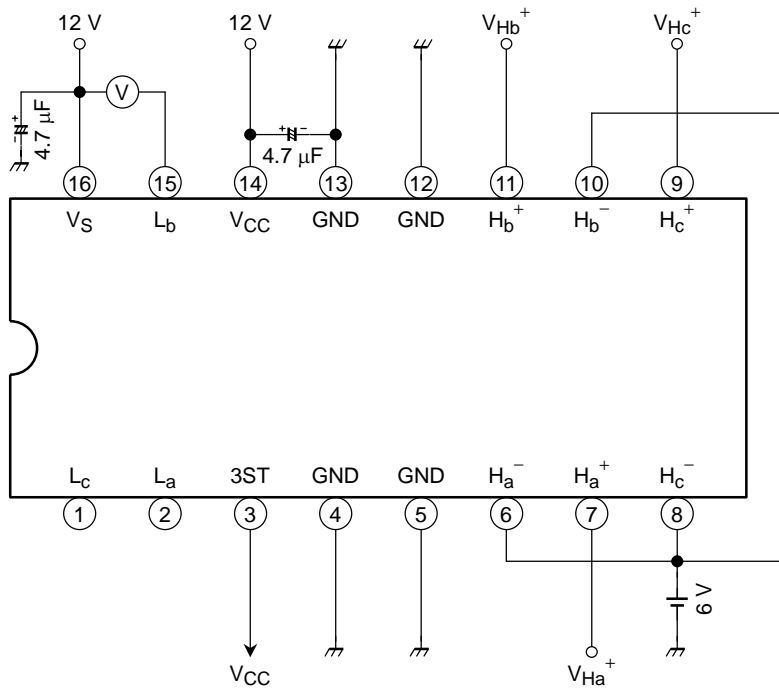
- VSAT (L): Input V_{Ha}^+ , V_{Hb}^+ , V_{Hc}^+ (6.01 V/5.99 V) and check output function is "L". (a-phase, b-phase, c-phase)

4. IL (U)



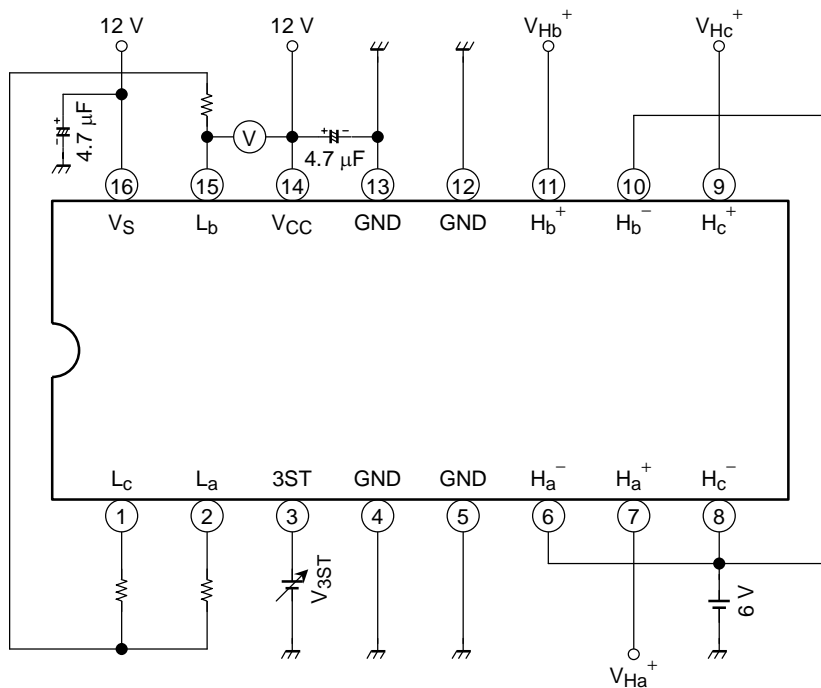
- IL (U): Check output function is high impedance at 3ST = VCC. (a-phase, b-phase, c-phase)

5. $I_L(L)$



- $I_L(L)$: Check output function is high impedance at $3ST = VCC$.
(a-phase, b-phase, c-phase)

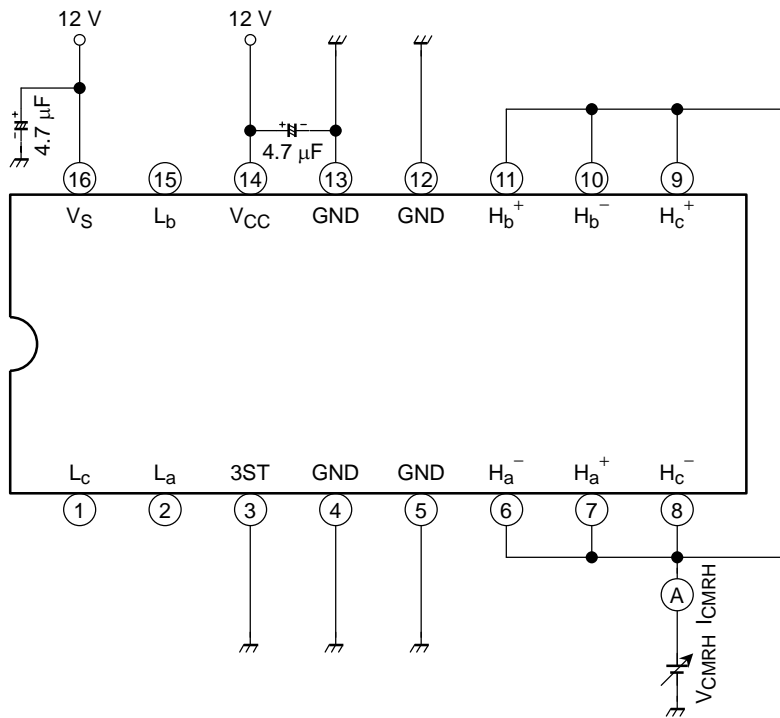
6. $V_H, V_{STP}, V_{FW}, V_{RV}$



- V_H : Input $V_{Ha}^+, V_{Hb}^+, V_{Hc}^+$ (6.01 V/5.99 V) and check output function.
(a-phase, b-phase, c-phase) AT $V_{3ST} = GND$.
- V_{STP} : When V_{3ST} is 8.5 V, input $V_{Ha}^+, V_{Hb}^+, V_{Hc}^+$ (6.01 V/5.99 V), fix the output function, then check that the output function is at high impedance.
- V_{FW} : Input $V_{Ha}^+, V_{Hb}^+, V_{Hc}^+$ (6.01 V/5.99 V) and check output function is forward mode.
AT $V_{3ST} = 2.5 V/6.5 V$.

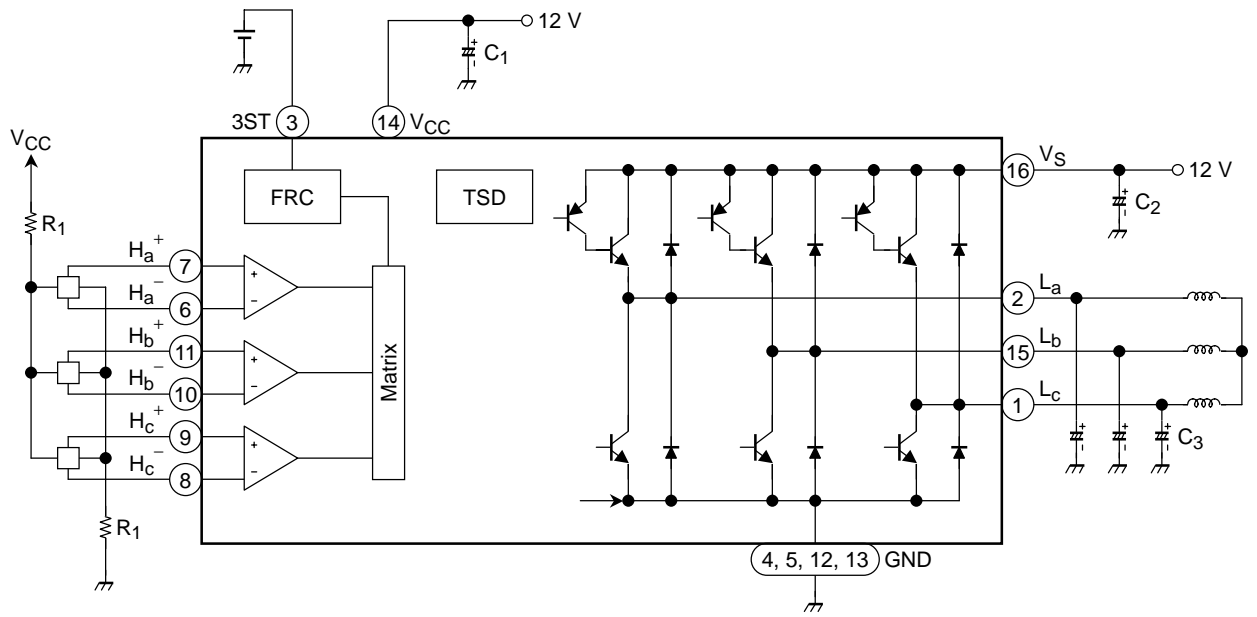
- V_{RV}: Input V_{Ha}⁺, V_{Hb}⁺, V_{Hc}⁺ (6.01 V/5.99 V) and check output function is reverse mode.
AT V_{3ST} = 0.4 V.

7. V_{CMRH}



- V_{CMRH}: Measure the I_{CMRH} gap between V_{CMRH} = 2 V and 8.5 V.

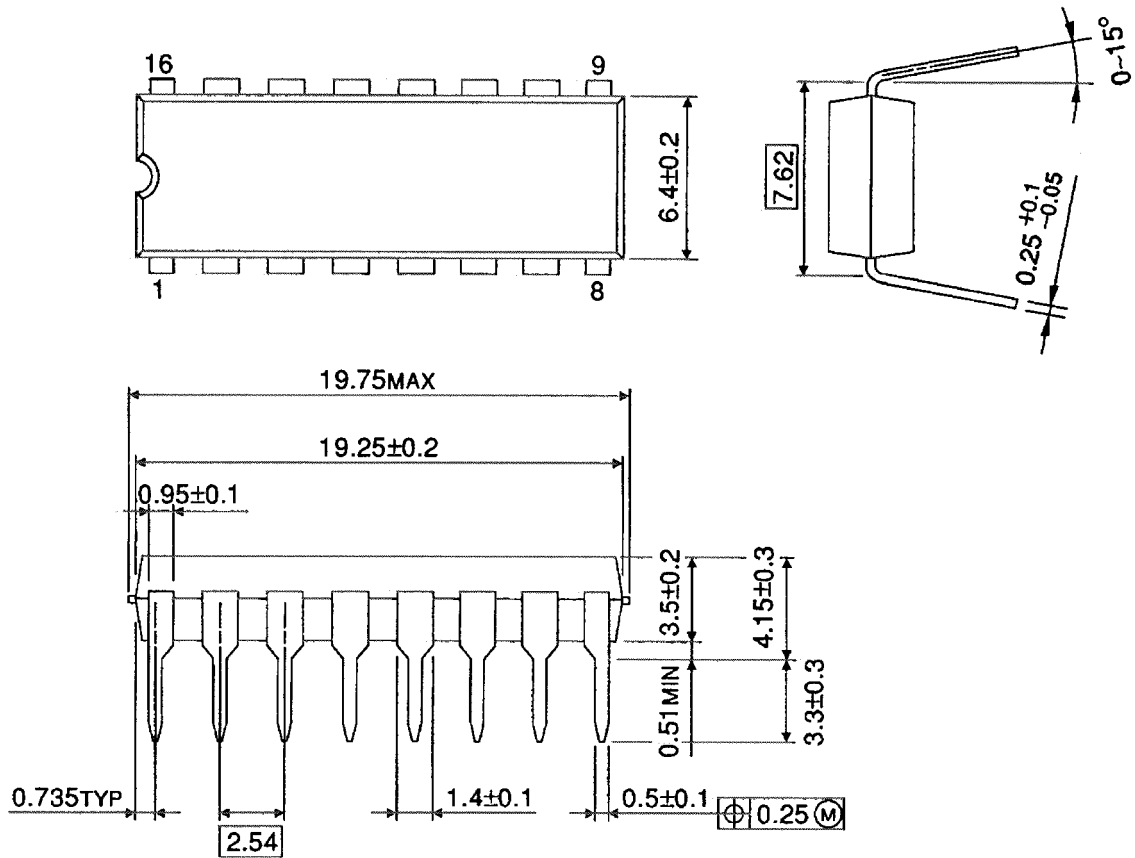
Application Circuit



Package Dimensions

DIP16-P-300-2.54A

Unit : mm



Weight: 1.11 g (typ.)

RESTRICTIONS ON PRODUCT USE

000707EBA

- TOSHIBA is continually working to improve the quality and reliability of its products. Nevertheless, semiconductor devices in general can malfunction or fail due to their inherent electrical sensitivity and vulnerability to physical stress. It is the responsibility of the buyer, when utilizing TOSHIBA products, to comply with the standards of safety in making a safe design for the entire system, and to avoid situations in which a malfunction or failure of such TOSHIBA products could cause loss of human life, bodily injury or damage to property.
In developing your designs, please ensure that TOSHIBA products are used within specified operating ranges as set forth in the most recent TOSHIBA products specifications. Also, please keep in mind the precautions and conditions set forth in the "Handling Guide for Semiconductor Devices," or "TOSHIBA Semiconductor Reliability Handbook" etc..
- The TOSHIBA products listed in this document are intended for usage in general electronics applications (computer, personal equipment, office equipment, measuring equipment, industrial robotics, domestic appliances, etc.). These TOSHIBA products are neither intended nor warranted for usage in equipment that requires extraordinarily high quality and/or reliability or a malfunction or failure of which may cause loss of human life or bodily injury ("Unintended Usage"). Unintended Usage include atomic energy control instruments, airplane or spaceship instruments, transportation instruments, traffic signal instruments, combustion control instruments, medical instruments, all types of safety devices, etc.. Unintended Usage of TOSHIBA products listed in this document shall be made at the customer's own risk.
- The products described in this document are subject to the foreign exchange and foreign trade laws.
- The information contained herein is presented only as a guide for the applications of our products. No responsibility is assumed by TOSHIBA CORPORATION for any infringements of intellectual property or other rights of the third parties which may result from its use. No license is granted by implication or otherwise under any intellectual property or other rights of TOSHIBA CORPORATION or others.
- The information contained herein is subject to change without notice.