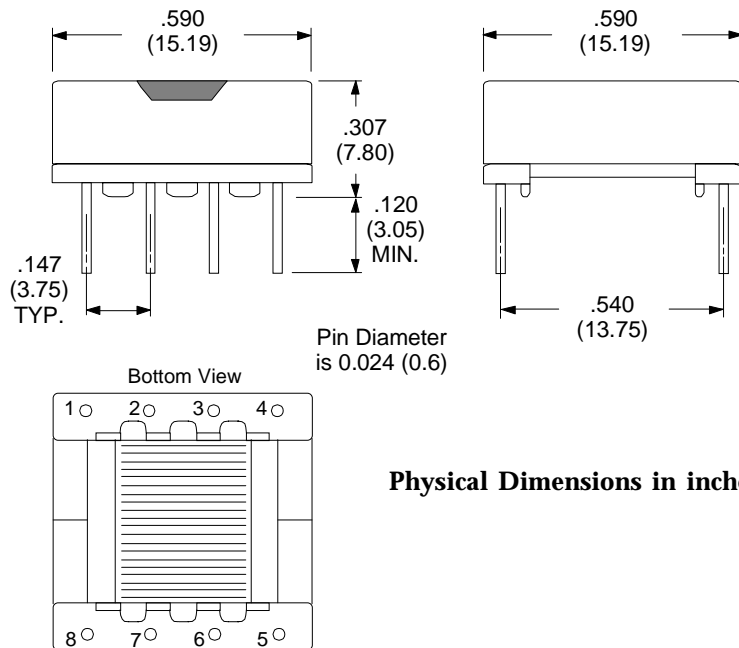
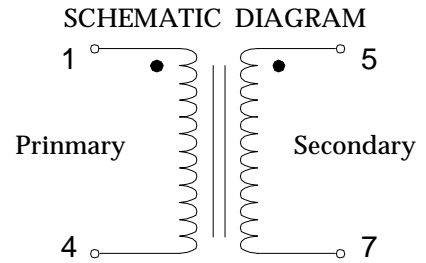


# T-1470

## Telecommunication Transformer

PARAMETER		UNITS
Turns Ratio	1 : 1 $\pm 3\%$	
Primary Impedance	600	$\Omega$
Secondary Impedance	600	$\Omega$
Power Level	-45 to +7	dBm
Insertion Loss @ 1 kHz, 0 dBm	1.4 Typ.	dB
Frequency Response 0.3 - 4 kHz, 0 dBm	$\pm 0.5$	dB
DC Unbalance	0	mA
Longitudinal Balance 0.200 to 4 kHz	60 Min.	dB
Primary DCR (Pins 1-4)	76 $\pm 20\%$ .	$\Omega$
Secondary DCR (5-7)	135 $\pm 20\%$ .	$\Omega$
THD @ 300 Hz, 0dBm	-0.5 Max.	%
Isolation (HI-POT) (Pri. to Sec.)	1500	$V_{RMS}$
Isolation (HI-POT) (Pri. to Core.)	1500	$V_{RMS}$
Isolation (HI-POT) (Sec. to Core.)	1000	$V_{RMS}$



10/25/01