

### DESCRIPTION

M63804P, M63804FP, M63804GP and M64804KP are seven-circuit Single transistor arrays. The circuits are made of NPN transistors. Both the semiconductor integrated circuits perform high-current driving with extremely low input-current supply.

### FEATURES

- Four package configurations (P, FP, GP and KP)
- Medium breakdown voltage ( $BV_{CEO} \geq 35V$ )
- Synchronizing current ( $I_{C(max)} = 300mA$ )
- Low output saturation voltage
- Wide operating temperature range ( $T_a = -40$  to  $+85^\circ C$ )

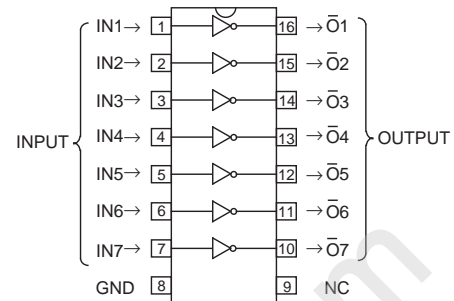
### APPLICATION

Driving of digit drives of indication elements (LEDs and lamps) with small signals

### FUNCTION

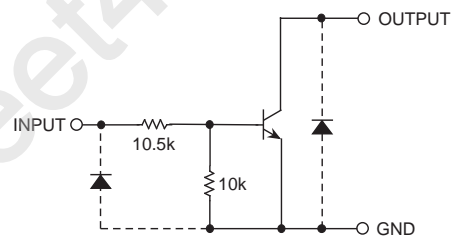
The M63804P, M63804FP, M63804GP and M63804KP each have seven circuits consisting of NPN transistor. The transistor emitters are all connected to the GND pin (pin 8)  
The transistors allow synchronous flow of 300mA collector current. A maximum of 35V voltage can be applied between the collector and emitter.

### PIN CONFIGURATION



Package type 16P4(P)  
16P2N-A(FP)  
16P2S-A(GP)  
16P2Z-A(KP) NC : No connection

### CIRCUIT DIAGRAM



The seven circuits share the GND.

The diode, indicated with the dotted line, is parasitic, and cannot be used.

Unit :  $\Omega$

### ABSOLUTE MAXIMUM RATINGS (Unless otherwise noted, $T_a = -40 \sim +85^\circ C$ )

Symbol	Parameter	Conditions	Ratings	Unit	
$V_{CEO}$	Collector-emitter voltage	Output, H	-0.5 ~ +35	V	
$I_C$	Collector current	Current per circuit output, L	300	mA	
$V_i$	Input voltage		-0.5 ~ +35	V	
$P_d$	Power dissipation	$T_a = 25^\circ C$ , when mounted on board	M63804P	1.47	W
			M63804FP	1.00	
			M63804GP	0.80	
			M63804KP	0.78	
$T_{opr}$	Operating temperature		-40 ~ +85	$^\circ C$	
$T_{stg}$	Storage temperature		-55 ~ +125	$^\circ C$	

**RECOMMENDED OPERATING CONDITIONS** (Unless otherwise noted,  $T_a = -40 \sim +85^\circ\text{C}$ )

Symbol	Parameter	Test conditions	Limits			Unit	
			min	typ	max		
$V_o$	Output voltage		0	—	35	V	
$I_c$	Collector current (Current per 1 circuit when 7 circuits are coming on simultaneously)	M63804P	Duty Cycle no more than 45%	0	—	250	mA
			Duty Cycle no more than 100%	0	—	160	
		M63804FP	Duty Cycle no more than 30%	0	—	250	
			Duty Cycle no more than 100%	0	—	130	
		M63804GP	Duty Cycle no more than 24%	0	—	250	
			Duty Cycle no more than 100%	0	—	120	
M63804KP	Duty Cycle no more than 24%	0	—	250			
	Duty Cycle no more than 100%	0	—	120			
$V_{IN}$	Input voltage		0	—	30	V	

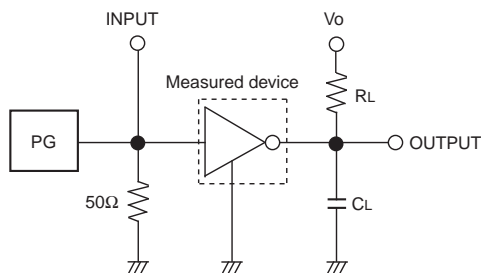
**ELECTRICAL CHARACTERISTICS** (Unless otherwise noted,  $T_a = 25^\circ\text{C}$ )

Symbol	Parameter	Test conditions	Limits			Unit
			min	typ	max	
$V_{(BR)CEO}$	Collector-emitter breakdown voltage	$I_{CEO} = 10\mu\text{A}$	35	—	—	V
$V_{CE(sat)}$	Collector-emitter saturation voltage	$I_{IN} = 1\text{mA}, I_c = 10\text{mA}$	—	—	0.2	V
		$I_{IN} = 2\text{mA}, I_c = 150\text{mA}$	—	—	0.8	
$V_{IN(on)}$	"On" input voltage	$I_{IN} = 1\text{mA}, I_c = 10\text{mA}$	7.5	11	15	V
$h_{FE}$	DC amplification factor	$V_{CE} = 10\text{V}, I_c = 10\text{mA}$	50	—	—	—

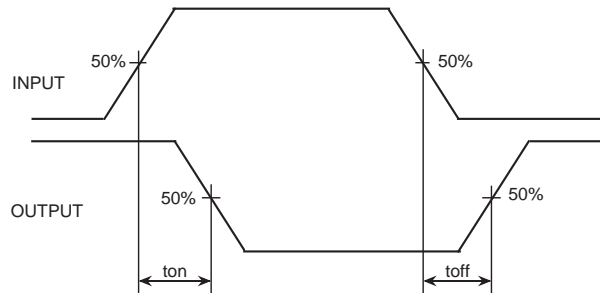
**SWITCHING CHARACTERISTICS** (Unless otherwise noted,  $T_a = 25^\circ\text{C}$ )

Symbol	Parameter	Test conditions	Limits			Unit
			min	typ	max	
$t_{on}$	Turn-on time	$C_L = 15\text{pF}$ (note 1)	—	120	—	ns
$t_{off}$	Turn-off time		—	240	—	

**NOTE 1 TEST CIRCUIT**



**TIMING DIAGRAM**



- (1) Pulse generator (PG) characteristics : PRR=1kHz,  
 $t_w = 10\mu\text{s}, t_r = 6\text{ns}, t_f = 6\text{ns}, Z_o = 50\Omega, V_{IH} = 11\text{V}$
- (2) Input-output conditions :  $R_L = 220\Omega, V_o = 35\text{V}$
- (3) Electrostatic capacity  $C_L$  includes floating capacitance at connections and input capacitance at probes

# POWEREX

## M63804P/FP/GP/KP

7-UNIT 300mA TRANSISTOR ARRAY

### TYPICAL CHARACTERISTICS

