

Solid State Lamp (LED Lamp Cluster)

General Description

Sharp can supply 5 models of solid state lamps which are divided into 2 types; $\phi 26$ mm series and $\phi 52$ mm series. The radiation color is dichromatic emission type; red(super-luminosity) and yellow-green.

They are suited for LED information displays for outdoor use because they featured water-proof structure and high visibility due to the employment of wide viewing angle high-luminosity LED lamps.

Model Line-up

Radiation color	Radiation shape (mm)	Model No.	Viewing angle	Outline dimensions
Yellow-green+ Red(Super-luminosity)	$\phi 26$	LT6610	$\pm 25^\circ$	1
	26X26(Oval lamp type)	LT6850	Horizontal $\pm 35^\circ$, Vertical $\pm 15^\circ$	2
	$\phi 52$	LT6710	$\pm 25^\circ$	3
	$\phi 52$ (Food-cut type)	LT6725		4
	$\phi 52$ (Food-cut type,Oval lamp type)	LT6750	Horizontal $\pm 35^\circ$, Vertical $\pm 15^\circ$	5



Absolute Maximum Ratings

($T_a=25^\circ\text{C}$)

Model No.	Radiation color	Power dissipation P (W)	Forward current I_F (mA)	Reverse current V_R (V)	Operating temperature $T_{opr.}$ ($^\circ\text{C}$)	Storage temperature $T_{stg.}$ ($^\circ\text{C}$)
LT6610	Yellow-green	0.6	60	15	-25 to +60	-30 to +100
	Red(Super-luminosity)	0.3	30	15		
LT6850	Yellow-green	0.65	60	15	-25 to +60	-30 to +100
	Red(Super-luminosity)	0.3	30	15		
LT6710	Yellow-green	1.7	90	24	-25 to +60	-30 to +100
	Red(Super-luminosity)	1.1	60	24		
LT6725	Yellow-green	2.3	120	24	-25 to +60	-30 to +100
	Red(Super-luminosity)	0.8	60	24		
LT6750	Yellow-green	2.3	120	24	-25 to +60	-30 to +100
	Red(Super-luminosity)	0.8	60	24		

Electro-optical Characteristics

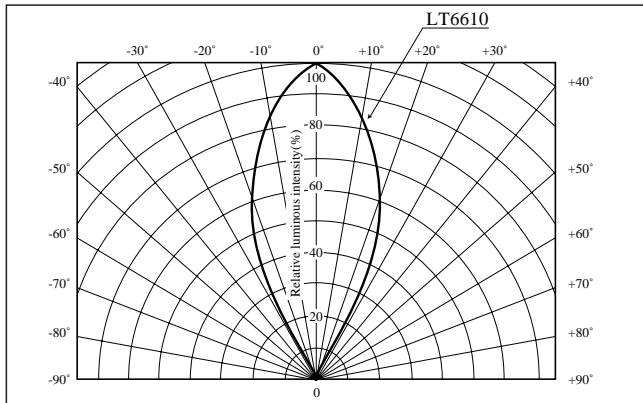
($T_a=25^\circ\text{C}$)

Model No.	Radiation color	Forward voltage V_F (V)		Luminous intensity I_v (cd) TYP.	Peak emission wavelength λ_p (nm) TYP.	Spectrum radiation bandwidth $\Delta\lambda$ (nm) TYP.		Reverse current	
		TYP.	MAX.			I_F (mA)	I_R (μA) MAX.	V_R (V)	
LT6610	Yellow-green	8.5	9.4	0.8	565	30	40	100	15
	Red(Super-luminosity)	9.3	10.2	1.6	660	20	20	100	15
LT6850	Yellow-green	10.8	11.8	1.8	565	30	40	100	15
	Red(Super-luminosity)	9.3	10.3	2.0	660	20	20	100	15
LT6710	Yellow-green	19.0	20.5	3.2	565	30	60	100	24
	Red(Super-luminosity)	18.5	20.0	6.0	660	20	40	100	24
LT6725	Yellow-green	19.0	20.5	5.0	565	30	40	100	24
	Red(Super-luminosity)	13.2	14.0	5.0	660	20	80	100	24
LT6750	Yellow-green	19.0	20.5	5.3	565	30	80	100	24
	Red(Super-luminosity)	13.2	14.0	5.6	660	20	40	100	24

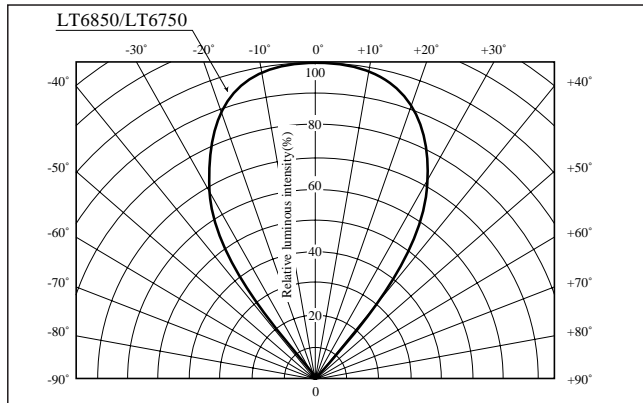
Solid State Lamp Outline Dimensions(Unit:mm)

Radiation Diagrams

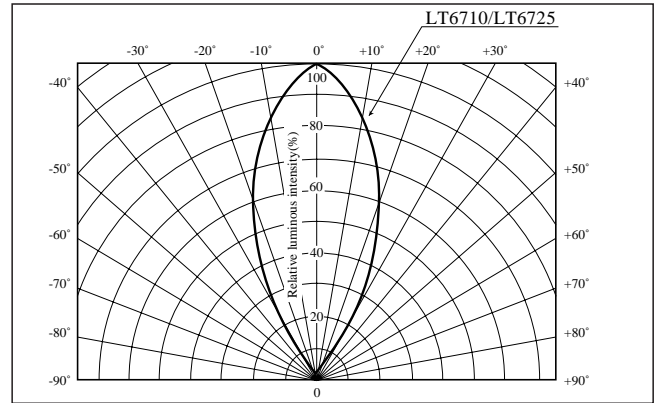
(Ta=25°C)



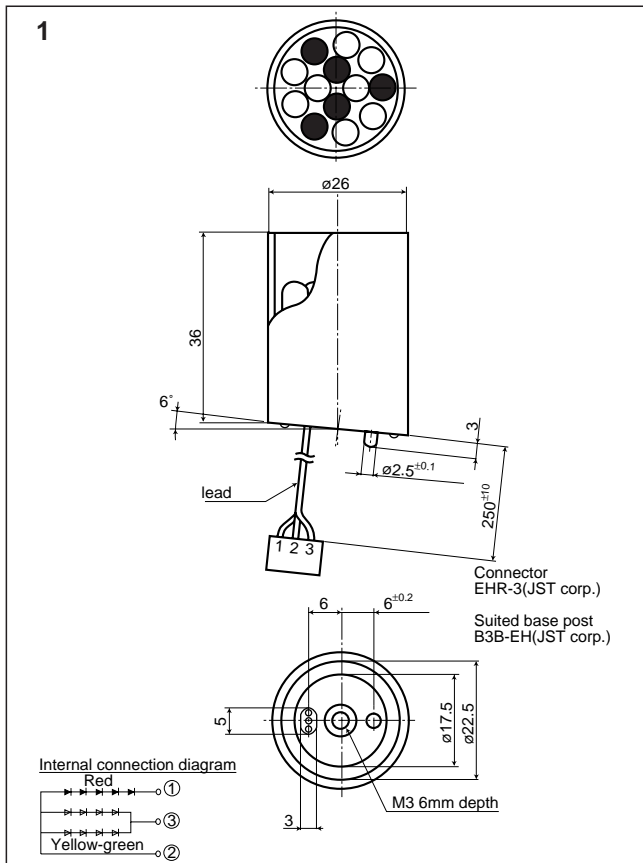
(Ta=25°C)



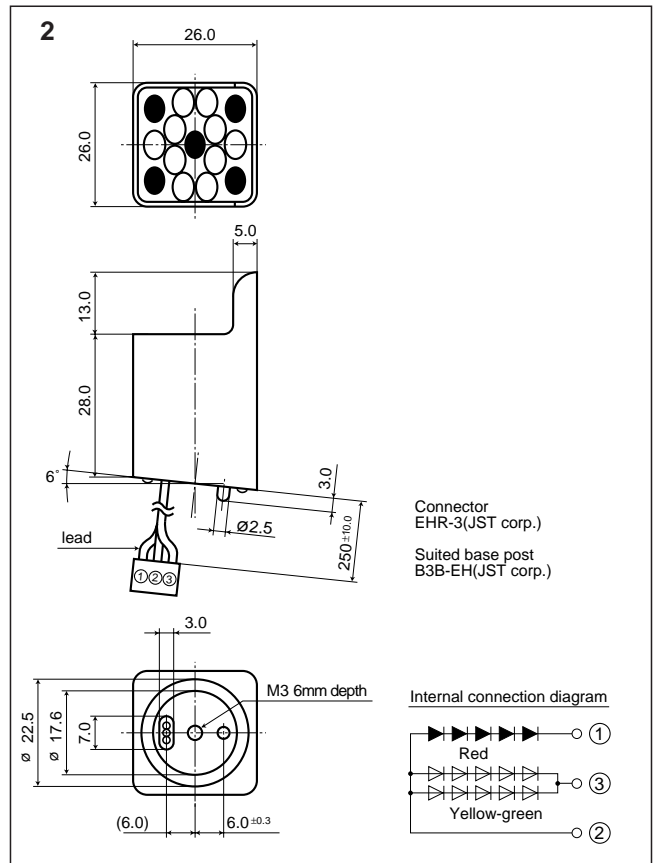
(Ta=25°C)



*As for current conditions, refer to I_f in electro-optical characteristics.



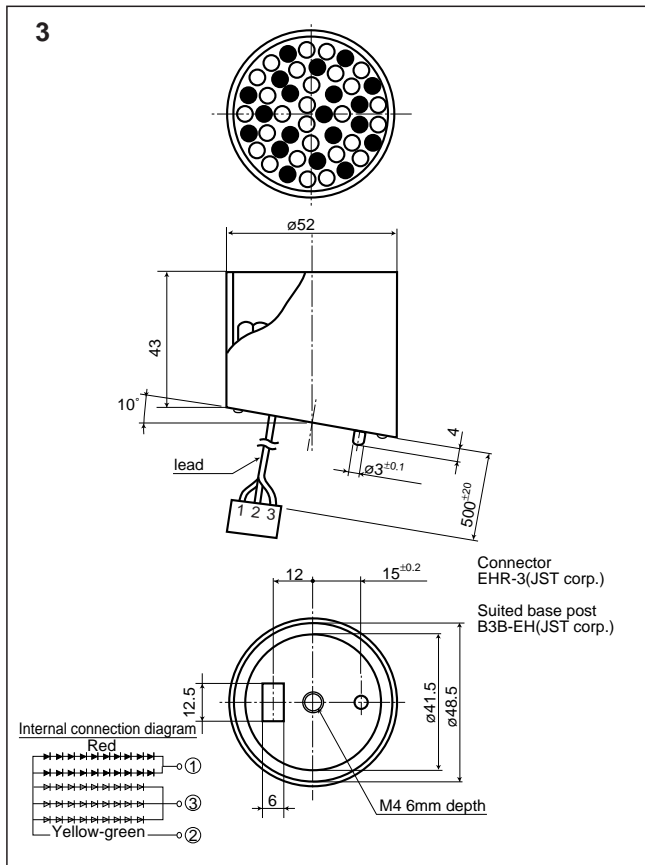
LT6610



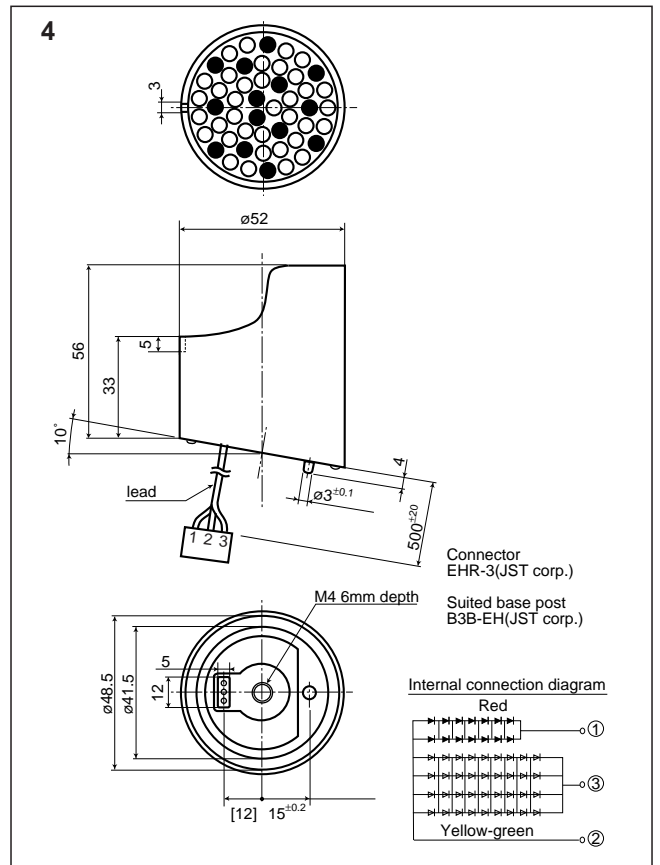
LT6850

(Notice) • In the absence of confirmation by device specification sheets, SHARP takes no responsibility for any defects that may occur in equipment using any SHARP devices shown in catalogs, data books, etc. Contact SHARP in order to obtain the latest device specification sheets before using any SHARP device.
 (Internet) • Data for sharp's optoelectronic/power device is provided for internet.(Address <http://www.sharp.co.jp/ecg/>)

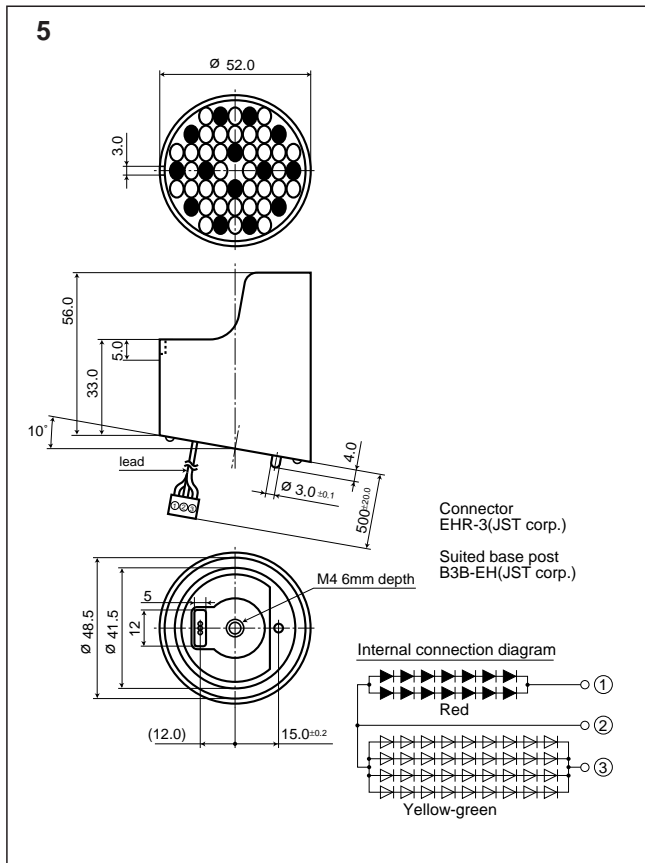
Solid State Lamp Outline Dimensions(Unit:mm)



LT6710



LT6725



LT6750