



**3mW, 100kSPS,
16-Bit ADC in 6 Lead SOT-23**

Preliminary Technical Data

AD7680

FEATURES

Fast Throughput Rate: 100kSPS

Specified for V_{DD} of 2.5 V to 5.25 V

Low Power:

2.5mW typ at 100kSPS with 3V Supplies

15mW typ at 100kSPS with 5V Supplies

Wide Input Bandwidth:

85dB SNR at 10kHz Input Frequency

Flexible Power/Serial Clock Speed Management

No Pipeline Delays

High Speed Serial Interface

SPI/QSPI/ μ Wire/DSP Compatible

Standby Mode: 0.5 μ A max

6-Lead SOT-23, and 8-Lead MSOP Packages

APPLICATIONS

Battery-Powered Systems

Personal Digital Assistants

Medical Instruments

Mobile Communications

Instrumentation and Control Systems

Remote Data Acquisition Systems

High-Speed Modems

Optical Sensors

GENERAL DESCRIPTION

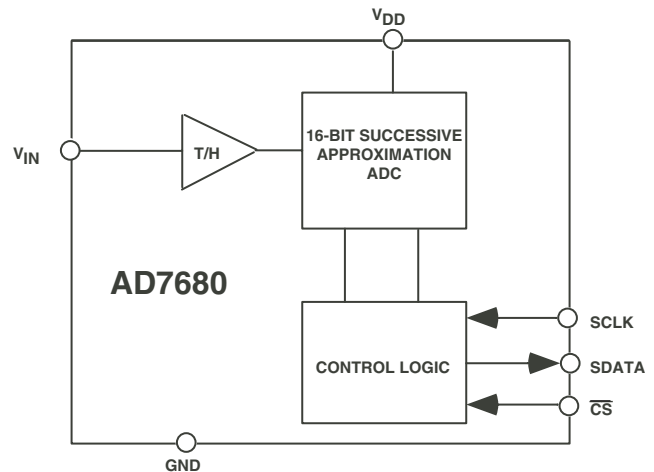
The AD7680 is a 16-bit, fast, low power, successive-approximation ADC. The part operates from a single 2.5 V to 5.25 V power supply and features throughput rates up to 100kSPS. The part contains a low-noise, wide bandwidth track/hold amplifier which can handle input frequencies in excess of 100kHz.

The conversion process and data acquisition are controlled using \overline{CS} and the serial clock, allowing the devices to interface with microprocessors or DSPs. The input signal is sampled on the falling edge of \overline{CS} and the conversion is also initiated at this point. There are no pipelined delays associated with the part.

The AD7680 uses advanced design techniques to achieve very low-power dissipation at fast throughput rates.

The reference for the part is taken internally from V_{DD} . This allows the widest dynamic input range to the ADC. Thus the analog input range for the part is 0 to V_{DD} . The conversion rate is determined by the SCLK frequency.

FUNCTIONAL BLOCK DIAGRAM



PRODUCT HIGHLIGHTS

1. First 16-Bit ADC in a SOT-23 package.
2. High Throughput with Low Power Consumption
3. Flexible Power/Serial Clock Speed Management
The conversion rate is determined by the serial clock allowing the conversion time to be reduced through the serial clock speed increase. This allows the average power consumption to be reduced when a powerdown mode is used while not converting. The part also features a shutdown mode to maximize power efficiency at lower throughput rates. Power consumption is 0.5 μ A max when in shutdown.
4. Reference derived from the power supply.
5. No Pipeline Delay
The part features a standard successive-approximation ADC with accurate control of the sampling instant via a \overline{CS} input and once off conversion control.

REV. PrE 11/02

Information furnished by Analog Devices is believed to be accurate and reliable. However, no responsibility is assumed by Analog Devices for its use, nor for any infringements of patents or other rights of third parties which may result from its use. No license is granted by implication or otherwise under any patent or patent rights of Analog Devices.

One Technology Way, P.O. Box 9106, Norwood, MA 02062-9106, U.S.A.
Tel: 781/329-4700 www.analog.com
Fax: 781/326-8703 Analog Devices, Inc., 2002

PRELIMINARY TECHNICAL DATA

AD7680—SPECIFICATIONS¹ ($V_{DD} = +2.5\text{ V to }+5.25\text{ V}$, $f_{SCLK} = 2.5\text{ MHz}$, $f_{SAMPLE} = 100\text{ Ksps}$ unless otherwise noted; $T_A = T_{MIN}$ to T_{MAX} , unless otherwise noted.)

Parameter	B Version ¹		Units	Test Conditions/Comments
	3V	5V		
DYNAMIC PERFORMANCE				
Signal to Noise + Distortion (SINAD) ²	81		dB min	$F_{IN} = 10\text{ kHz}$ Sine Wave
Signal to Noise Ratio (SNR) ²	82	83	dB min	
	85	86	dB typ	
Total Harmonic Distortion (THD) ²	-95	-95	dB typ	
Peak Harmonic or Spurious Noise (SFDR) ²	-99	-99	dB typ	
Intermodulation Distortion (IMD) ²				
Second Order Terms	-90	-90	dB typ	
Third Order Terms	-90	-90	dB typ	
Aperture Delay	10	10	ns max	
Aperture Jitter	30	30	ps typ	
Full Power Bandwidth	TBD		MHz typ	@ 3 dB
	TBD		MHz typ	@ 0.1 dB
DC ACCURACY				
No missing Codes	15	14	Bits min	
Integral Nonlinearity ³	±4	±4	LSB max	
Offset Error ³	±5	±5	LSB max	
Gain Error ³	±5	±10	LSB max	
ANALOG INPUT				
Input Voltage Ranges	0 to V_{DD}		Volts	
DC Leakage Current	±1		μA max	
Input Capacitance	30		pF typ	
LOGIC INPUTS				
Input High Voltage, V_{INH}	2.4	2.4	V min	Typically 10 nA, $V_{IN} = 0\text{ V}$ or V_{DD}
Input Low Voltage, V_{INL}	0.4	0.8	V max	
Input Current, I_{IN}	±1	±1	μA max	
Input Capacitance, $C_{IN}^{2,3}$	10	10	pF max	
LOGIC OUTPUTS				
Output High Voltage, V_{OH}	$V_{DD} - 0.2$		V min	$I_{SOURCE} = 200\text{ μA}$; $V_{DD} = 2.5\text{ V to }5.25\text{ V}$ $I_{SINK} = 200\text{ μA}$
Output Low Voltage, V_{OL}	0.4		V max	
Floating-State Leakage Current	±1		μA max	
Floating-State Output Capacitance ^{2,3}	10		pF max	
Output Coding	Straight (Natural) Binary			
CONVERSION RATE				
Conversion Time	8		μs max	20 SCLK cycles with SCLK at 2.5MHz
	9.6		μs max	24 SCLK cycles with SCLK at 2.5MHz
Track/Hold Acquisition Time	500		ns max	Full-scale step input
	400		ns max	Sine wave input ≤ 10KHz
Throughput Rate	100		kSPS	See Serial Interface Section
POWER REQUIREMENTS				
V_{DD}	+2.5/+5.25		V min/max	Digital I/Ps = 0V or V_{DD} . SCLK on or off. $f_{SAMPLE} = 100\text{ kSPS}$ SCLK on or off.
I_{DD}				
Normal Mode(Static)	0.95	3.55	mA max	
Normal Mode (Operational)	0.9	3.25	mA max	
Full Power-Down Mode	0.5	0.5	μA max	
Power Dissipation ⁴				$f_{SAMPLE} = 100\text{ kSPS}$
Normal Mode (Operational)	2.85	16.25	mW max	
Full Power-Down	1.5	2.5	μW max	

NOTES

¹Temperature ranges as follows: B Version: -40°C to +85°C.

²See Terminology.

³Sample tested @ +25°C to ensure compliance.

⁴See POWER VERSUS THROUGHPUT RATE section.

Specifications subject to change without notice.

TIMING SPECIFICATIONS¹ ($V_{DD} = +2.5\text{ V to }+5.25\text{ V}$; $T_A = T_{MIN}\text{ to }T_{MAX}$, unless otherwise noted.)

Parameter	Limit at T_{MIN}, T_{MAX}		Units	Description
	3 V	5V		
f_{SCLK}^2	10 2.5	10 2.5	kHz min MHz max	Minimum Quiet Time required between Bus Relinquish and start of next conversion Minimum \overline{CS} Pulse Width \overline{CS} to SCLK Setup Time Delay from \overline{CS} Until SDATA 3-State Disabled Data Access Time After SCLK Falling Edge SCLK Low Pulse Width SCLK High Pulse Width SCLK to Data Valid Hold Time SCLK falling Edge to SDATA High Impedance Power up time from Full Power-down.
$t_{CONVERT}$	$20 \times t_{SCLK}$	$20 \times t_{SCLK}$	min	
t_{quiet}	50	50	ns min	
t_1	10	10	ns min	
t_2	10	10	ns min	
t_3^3	20	20	ns max	
t_4^3	40	40	ns max	
t_5	$0.4t_{SCLK}$	$0.4t_{SCLK}$	ns min	
t_6	$0.4t_{SCLK}$	$0.4t_{SCLK}$	ns min	
t_7	10	10	ns min	
t_8^4	25	25	ns max	
$t_{power-up}^5$	1	1	$\mu\text{s typ}$	

NOTES

¹Sample tested at +25°C to ensure compliance. All input signals are specified with $t_r = t_f = 5\text{ ns}$ (10% to 90% of V_{DD}) and timed from a voltage level of 1.6 Volts.

²Mark/Space ratio for the SCLK input is 40/60 to 60/40.

³Measured with the load circuit of Figure 1 and defined as the time required for the output to cross 0.8 V or 2.0 V.

⁴ t_8 is derived from the measured time taken by the data outputs to change 0.5 V when loaded with the circuit of Figure 1. The measured number is then extrapolated back to remove the effects of charging or discharging the 50 pF capacitor. This means that the time, t_8 , quoted in the timing characteristics is the true bus relinquish time of the part and is independent of the bus loading.

⁵See Power-up Time section.

Specifications subject to change without notice.

ABSOLUTE MAXIMUM RATINGS¹

($T_A = +25^\circ\text{C}$ unless otherwise noted)

V_{DD} to GND	-0.3 V to +7 V
Analog Input Voltage to GND.....	-0.3 V to $V_{DD} + 0.3\text{ V}$
Digital Input Voltage to GND.....	-0.3 V to +7 V
Digital Output Voltage to GND.....	-0.3 V to $V_{DD} + 0.3\text{ V}$
Input Current to Any Pin Except Supplies ²	$\pm 10\text{ mA}$
Operating Temperature Range	
Commercial (B Version).....	-40°C to +85°C
Storage Temperature Range.....	-65°C to +150°C
Junction Temperature.....	+150°C
SOT-23 Package, Power Dissipation.....	450 mW
θ_{JA} Thermal Impedance.....	229.6°C/W
θ_{JC} Thermal Impedance.....	91.99°C/W
MSOP Package, Power Dissipation.....	450 mW
θ_{JA} Thermal Impedance.....	205.9°C/W
θ_{JC} Thermal Impedance.....	43.74°C/W
Lead Temperature, Soldering	
Vapor Phase (60 secs).....	215°C
Infrared (15 secs).....	220°C
ESD.....	3.5kV

NOTES

¹Stresses above those listed under “Absolute Maximum Ratings” may cause permanent damage to the device. This is a stress rating only and functional operation of the device at these or any other conditions above those listed in the operational sections of this specification is not implied. Exposure to absolute maximum rating conditions for extended periods may affect device reliability.

²Transient currents of up to 100 mA will not cause SCR latch up.

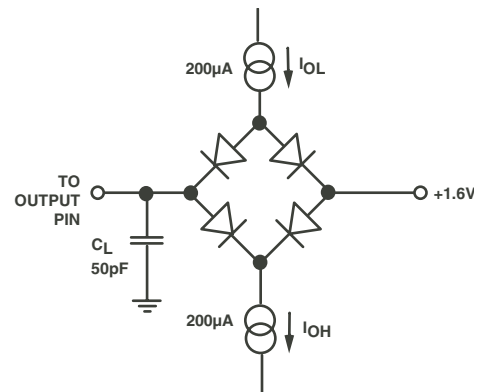


Figure 1. Load Circuit for Digital Output Timing Specifications

CAUTION

ESD (electrostatic discharge) sensitive device. Electrostatic charges as high as 4000 V readily accumulate on the human body and test equipment and can discharge without detection. Although the AD7680 features proprietary ESD protection circuitry, permanent damage may occur on devices subjected to high energy electrostatic discharges. Therefore, proper ESD precautions are recommended to avoid performance degradation or loss of functionality.



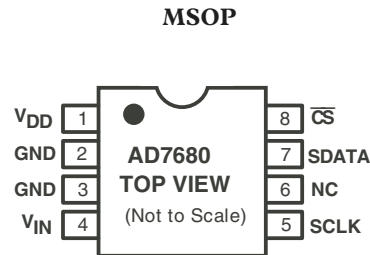
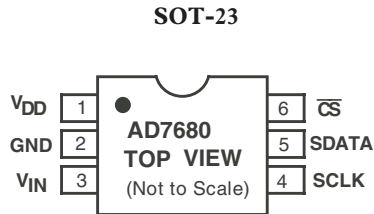
PRELIMINARY TECHNICAL DATA

AD7680

PIN FUNCTION DESCRIPTION

Pin Mnemonic	Function
V _{DD}	Power Supply Input. The V _{DD} range for the AD7680 is from +2.5V to +5.25V.
GND	Analog Ground. Ground reference point for all circuitry on the AD7680. All analog input signals should be referred to this GND voltage.
V _{IN}	Analog Input. Single-ended analog input channel. The input range is 0 to V _{DD} .
SCLK	Serial Clock. Logic input. SCLK provides the serial clock for accessing data from the part. This clock input is also used as the clock source for the AD7680's conversion process.
SDATA	Data Out. Logic Output. The conversion result from the AD7680 is provided on this output as a serial data stream. The bits are clocked out on the falling edge of the SCLK input. The data stream from the AD7680 consists of 4 leading zeros followed by 16 bits of conversion data which is provided MSB first. This will be followed by 4 trailing zeroes if \overline{CS} is held low for a total of 24 SCLK cycles. See serial Interface section.
\overline{CS}	Chip Select. Active low logic input. This input provides the dual function of initiating conversions on the AD7680 and framing the serial data transfer.
NC	No Connect. This pin should be left unconnected.

AD7680 PIN CONFIGURATIONS



ORDERING GUIDE

Model	Range	Linearity Error (LSB) ¹	Package Option ²	Branding
AD7680BRJ	-40°C to +85°C	±2 typ	RJ-6	CQB
AD7680BRM	-40°C to +85°C	±2 typ	RM-8	CQB

NOTES

¹Linearity error here refers to integral nonlinearity

²RT = SOT-23.

²RM = MSOP.

TERMINOLOGY**Integral Nonlinearity**

This is the maximum deviation from a straight line passing through the endpoints of the ADC transfer function. The endpoints of the transfer function are zero scale, a point 1/2 LSB below the first code transition, and full scale, a point 1/2 LSB above the last code transition.

Differential Nonlinearity

This is the difference between the measured and the ideal 1 LSB change between any two adjacent codes in the ADC.

Offset Error

This is the deviation of the first code transition (00 . . . 000) to (00 . . . 001) from the ideal, i.e. AGND + 1LSB

Gain Error

This is the deviation of the last code transition (111 . . . 110) to (111 . . . 111) from the ideal (i.e., $V_{REF} - 1$ LSB) after the offset error has been adjusted out.

Track/Hold Acquisition Time

The track/hold amplifier returns into track mode at the end of conversion. Track/Hold acquisition time is the time required for the output of the track/hold amplifier to reach its final value, within ± 0.5 LSB, after the end of conversion. See serial interface timing section for more details.

Signal to (Noise + Distortion) Ratio

This is the measured ratio of signal to (noise + distortion) at the output of the A/D converter. The signal is the rms amplitude of the fundamental. Noise is the sum of all nonfundamental signals up to half the sampling frequency ($f_s/2$), excluding dc. The ratio is dependent on the number of quantization levels in the digitization process; the more levels, the smaller the quantization noise. The theoretical signal to (noise + distortion) ratio for an ideal N-bit converter with a sine wave input is given by:

$$\text{Signal to (Noise + Distortion)} = (6.02 N + 1.76) \text{ dB}$$

Thus for a 16-bit converter, this is 98 dB.

Total Harmonic Distortion

Total harmonic distortion (THD) is the ratio of the rms sum of harmonics to the fundamental. For the AD7680, it is defined as:

$$\text{THD (dB)} = 20 \log \frac{\sqrt{V_2^2 + V_3^2 + V_4^2 + V_5^2 + V_6^2}}{V_1}$$

where V_1 is the rms amplitude of the fundamental and V_2 , V_3 , V_4 , V_5 and V_6 are the rms amplitudes of the second through the sixth harmonics.

Peak Harmonic or Spurious Noise

Peak harmonic or spurious noise is defined as the ratio of the rms value of the next largest component in the ADC output spectrum (up to $f_s/2$ and excluding dc) to the rms value of the fundamental. Normally, the value of this specification is determined by the largest harmonic in the spectrum, but for ADCs where the harmonics are buried in the noise floor, it will be a noise peak.

Intermodulation Distortion

With inputs consisting of sine waves at two frequencies, f_a and f_b , any active device with nonlinearities will create distortion products at sum and difference frequencies of $m f_a \pm n f_b$ where $m, n = 0, 1, 2, 3$, etc. Intermodulation distortion terms are those for which neither m nor n are equal to zero. For example, the second order terms include $(f_a + f_b)$ and $(f_a - f_b)$, while the third order terms include $(2f_a + f_b)$, $(2f_a - f_b)$, $(f_a + 2f_b)$ and $(f_a - 2f_b)$.

The AD7680 is tested using the CCIF standard where two input frequencies near the top end of the input bandwidth are used. In this case, the second order terms are usually distanced in frequency from the original sine waves while the third order terms are usually at a frequency close to the input frequencies. As a result, the second and third order terms are specified separately. The calculation of the intermodulation distortion is as per the THD specification where it is the ratio of the rms sum of the individual distortion products to the rms amplitude of the sum of the fundamentals expressed in dBs.

PRELIMINARY TECHNICAL DATA

AD7680

PERFORMANCE CURVES

TPC 1 shows a typical FFT plot for the AD7680 at 100kSPS sample rate and 10kHz input frequency. TPC 2 shows the signal-to-(noise+distortion) ratio performance versus input frequency for various supply voltages while sampling at 100kSPS with an SCLK of 2.5MHz.

TPC 3 shows a graph of total harmonic distortion versus analog input frequency for various supply voltages, while TPC 4 shows a graph of total harmonic distortion versus analog input frequency for various source impedances. See Analog Input section.

TPC 5 and TPC 6 show typical DNL and INL plots for the AD7680.

TBD

*TPC 3. AD7680 THD vs. Analog Input Frequency
for Various Supply Voltages at 100 kSPS*

Typical Performance Characteristics

TBD

TBD

*TPC 4. AD7680 THD vs. Analog Input Frequency
for Various Source Impedances*

TPC 1. AD7680 Dynamic Performance at 100 kSPS

TBD

TBD

TPC 6. AD7680 Typical INL

*TPC 2. AD7680 SINAD vs. Analog Input Frequency
for Various Supply Voltages at 100 kSPS*

TBD

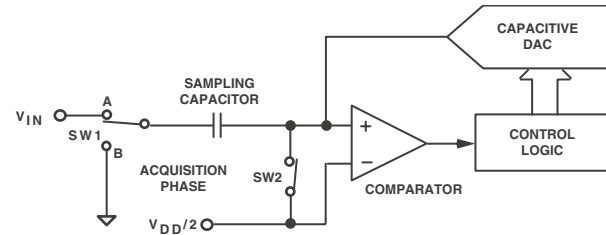


Figure 2. ADC Acquisition Phase

When the ADC starts a conversion, see figure 3, SW2 will open and SW1 will move to position B causing the comparator to become unbalanced. The Control Logic and the Capacitive DAC are used to add and subtract fixed amounts of charge from the sampling capacitor to bring the comparator back into a balanced condition. When the comparator is rebalanced the conversion is complete. The Control Logic generates the ADC output code. Figure 4 shows the ADC transfer function.

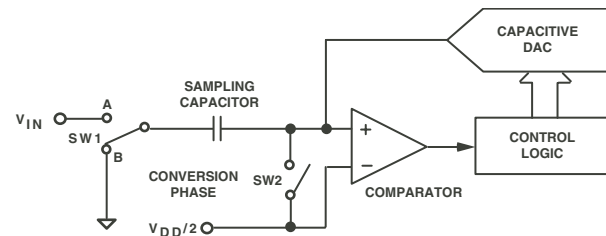


Figure 3. ADC Conversion Phase

TPC 7. AD7680 Typical DNL

CIRCUIT INFORMATION

The AD7680 is a fast, low power, 16-bit, single supply, A/D converter. The part can be operated from a 2.5V to 5.25V supply. When operated from either a 5V or 3V supply, the AD7680 is capable of throughput rates of 100 kSPS when provided with a 2.5MHz clock.

The AD7680 provides the user with an on-chip track/hold, A/D converter, and a serial interface housed in a tiny 6-lead SOT-23 package or 8-ld MSOP package which offer the user considerable space saving advantages over alternative solutions. The serial clock input accesses data from the part and also provides the clock source for the successive-approximation A/D converter. The analog input range for the AD7680 is 0 to V_{DD} . An external reference is not required for the ADC, nor is there a reference on-chip. The reference for the AD7680 is derived from the power supply and thus gives the widest dynamic input range.

The AD7680 also features a power-down option to save power between conversions. The power-down feature is implemented across the standard serial interface as described in the Modes of Operation section.

CONVERTER OPERATION

The AD7680 is a 16-bit, successive approximation analog-to-digital converter based around a capacitive DAC. The AD7680 can convert analog input signals in the range 0 V to V_{DD} . Figures 2 and 3 show simplified schematics of the ADC. The ADC comprises of Control Logic, SAR and a Capacitive DAC, which are used to add and subtract fixed amounts of charge from the sampling capacitor to bring the comparator back into a balanced condition. Figure 2 shows the ADC during its acquisition phase. SW2 is closed and SW1 is in position A. The comparator is held in a balanced condition and the sampling capacitor acquires the signal on the selected V_{IN} channel.

Analog Input

Figure 4 shows an equivalent circuit of the analog input structure of the AD7680. The two diodes D1 and D2 provide ESD protection for the analog inputs. Care must be taken to ensure that the analog input signal never exceeds the supply rails by more than 300mV. This will cause these diodes to become forward biased and start conducting current into the substrate. 10mA is the maximum current these diodes can conduct without causing irreversible damage to the part. The capacitor C1 in Figure 4 is typically about 4pF and can primarily be attributed to pin capacitance. The resistor R1 is a lumped component made up of the on resistance of a switch (track

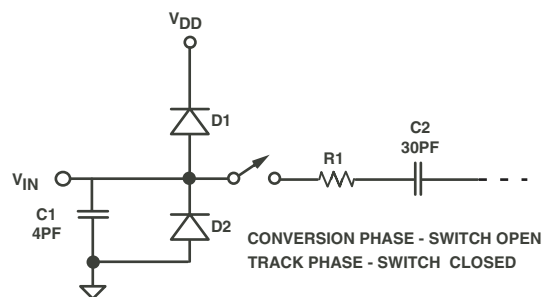


Figure 4. Equivalent Analog Input Circuit

AD7680

and hold switch). This resistor is typically about 100 Ω. The capacitor C2 is the ADC sampling capacitor and has a capacitance of 30pF typically. For ac applications, removing high frequency components from the analog input signal is recommended by use of an RC low-pass filter on the relevant analog input pin. In applications where harmonic distortion and signal to noise ratio are critical the analog input should be driven from a low impedance source. Large source impedances will significantly affect the ac performance of the ADC. This may necessitate the use of an input buffer amplifier. The choice of the op amp will be a function of the particular application. When no amplifier is used to drive the analog input the source impedance should be limited to low values. The maximum source impedance will depend on the amount of total harmonic distortion (THD) that can be tolerated. The THD will increase as the source impedance increases and performance will degrade (see TPC4).

ADC TRANSFER FUNCTION

The output coding of the AD7680 is straight binary. The designed code transitions occur at successive integer LSB values (i.e., 1 LSB, 2 LSBs, etc.). The LSB size is = $V_{DD}/65536$. The ideal transfer characteristic for the AD7680 is shown in Figure 5.

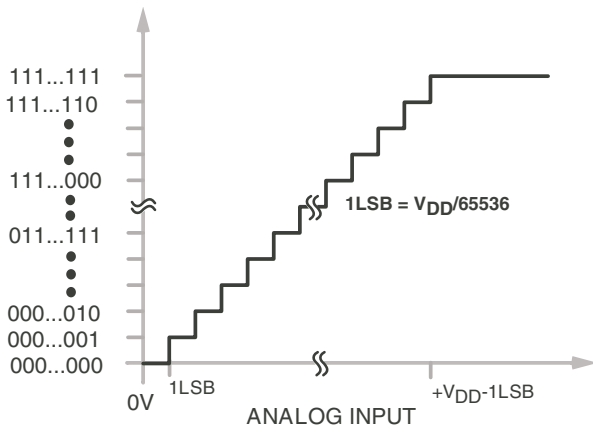


Figure 5. AD7680 Transfer Characteristic

TYPICAL CONNECTION DIAGRAM

Figure 6 shows a typical connection diagram for the AD7680. V_{REF} is taken internally from V_{DD} and as such should be well decoupled. This provides an analog input range of 0 V to V_{DD} . The conversion result is output in a 24-bit word, or alternatively all 16 bits of the conversion result may be accessed using a minimum of 20 SCLKs. This 20-/24-bit data stream consists of a four leading zeros, followed by the 16 bits of conversion data followed by four trailing zeros in the case of the 24 SCLK transfer. For applications where power consumption is of concern, the power-down mode should be used between conversions or bursts of several conversions to improve power performance. See Modes of Operation section of the datasheet.

In fact, because the supply current required by the AD7680 is so low, a precision reference can be used as the supply source to the AD7680. For example, a REF19x voltage reference (REF195 for 5 V or REF193 for 3 V etc.) can be used to supply the required voltage to the ADC (see Figure 6). This configuration is especially useful if the power supply available is quite noisy or if the system supply voltages are at some value other than the required operating voltage of the AD7680 (e.g. 15V). The REF19x will output a steady voltage to the AD7680.

TBD

Figure 6. Typical Connection Diagram

Digital Inputs

The digital inputs applied to the AD7680 are not limited by the maximum ratings which limit the analog inputs. Instead, the digital inputs applied can go to 7V and are not restricted by the $V_{DD} + 0.3V$ limit as on the analog inputs. For example, if the AD7680 was operated with a V_{DD} of 3V, then 5V logic levels could be used on the digital inputs. However, it is important to note that the data output on SDATA will still have 3 V logic levels when $V_{DD} = 3 V$.

Another advantage of SCLK, and \overline{CS} not being restricted by the $V_{DD} + 0.3 V$ limit is the fact that power supply sequencing issues are avoided. If one of these digital inputs is applied before V_{DD} then there is no risk of latch-up as there would be on the analog inputs if a signal greater than 0.3 V was applied prior to V_{DD} .

MODES OF OPERATION

The mode of operation of the AD7680 is selected by controlling the (logic) state of the \overline{CS} signal during a conversion. There are two possible modes of operation, Normal Mode and Power-Down Mode. The point at which \overline{CS} is pulled high after the conversion has been initiated will determine whether the AD7680 will enter Power-down Mode or not. Similarly, if already in Power-down then \overline{CS} can control whether the device will return to Normal operation or remain in Power-down. These modes of operation are designed to provide flexible power management options. These options can be chosen to optimize the power dissipation/throughput rate ratio for differing application requirements.

Normal Mode

This mode is intended for fastest throughput rate performance as the user does not have to worry about any power-up times with the AD7680 remaining fully-powered all the time. Figure 7 shows the general diagram of the operation of the AD7680 in this mode.

The conversion is initiated on the falling edge of \overline{CS} as described in the Serial Interface section. To ensure the part remains fully powered up at all times \overline{CS} must remain low until at least 10 SCLK falling edges have elapsed after the falling edge of \overline{CS} . If \overline{CS} is brought high any time after the 10th SCLK falling edge but before the 20th SCLK falling edge the part will remain powered up but the conversion will be terminated and SDATA will go back into tri-state. At least twenty serial clock cycles are required to complete the conversion and access the complete conversion result. A total of twenty-four SCLK cycles will access four trailing zeros in addition. \overline{CS} may idle high until the next conversion or may idle low until \overline{CS} returns high sometime prior to the next conversion, (effectively idling \overline{CS} low).

Once a data transfer is complete (SDATA has returned to tri-state), another conversion can be initiated after the quiet time, t_{quiet} has elapsed by bringing \overline{CS} low again.

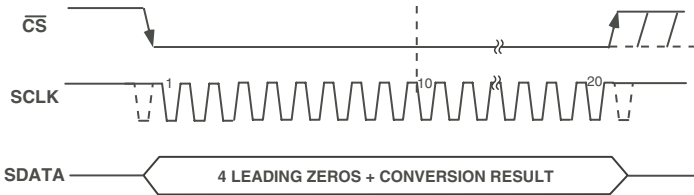


Figure 7. Normal Mode Operation

Power-Down Mode

This mode is intended for use in applications where slower throughput rates are required; either the ADC is powered down between each conversion, or a series of conversions may be performed at a high throughput rate and then the ADC is powered down for a relatively long duration between these bursts of several conversions. When the AD7680 is in power down, all analog circuitry is powered down.

To enter Power-Down, the conversion process must be interrupted by bringing \overline{CS} high anywhere after the second falling edge of SCLK and before the tenth falling edge of SCLK as shown in Figure 8. Once \overline{CS} has been brought high in this window of SCLKs, then the part will enter power down and the conversion that was initiated by the falling edge of \overline{CS} will be terminated and SDATA will go back into tri-state. If \overline{CS} is brought high before the second SCLK falling edge, then the part will remain in Normal Mode and will not power-down. This will avoid accidental powerdown due to glitches on the \overline{CS} line.

In order to exit this mode of operation and power the AD7680 up again, a dummy conversion is performed. On the falling edge of \overline{CS} the device will begin to power up, and will continue to power up as long as \overline{CS} is held low until after the falling edge of the tenth SCLK. The device will be fully powered up once at least 16 SCLKs (or approximately 6 μ s) have elapsed and valid data will result from the next conversion as shown in figure 9. If \overline{CS} is brought high before the tenth falling edge of SCLK, regardless of SCLK frequency, then the AD7680 will go back into power down again. This avoids accidental power up due to glitches on the \overline{CS} line or an inadvertent burst of 8 SCLK cycles while \overline{CS} is low. So although the device may begin to power up on the falling edge of \overline{CS} , it will power down again on the rising edge of \overline{CS} as long as it occurs before the tenth SCLK falling edge.

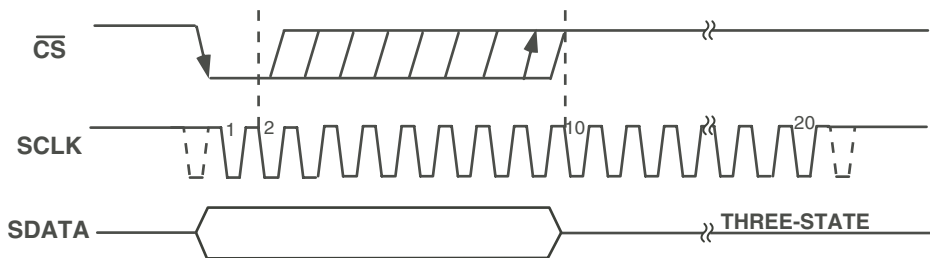


Figure 8. Entering Power Down Mode

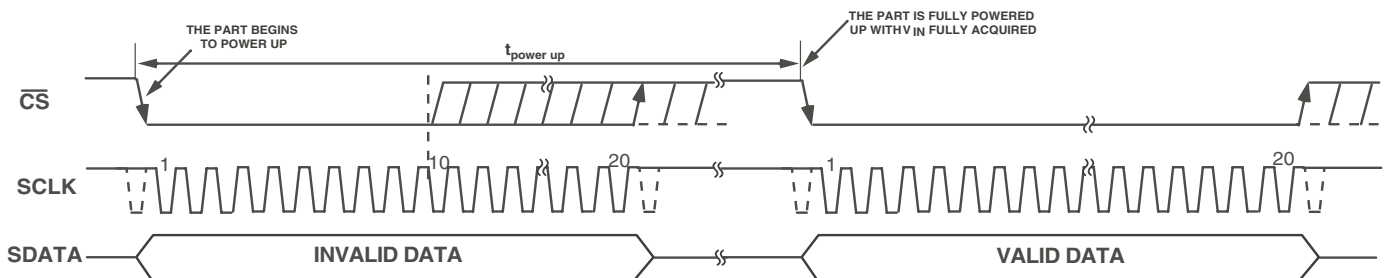


Figure 9. Exiting Power Down Mode

SERIAL INTERFACE

Figure 12 shows the detailed timing diagram for serial interfacing to the AD7680. The serial clock provides the conversion clock and also controls the transfer of information from the AD7680 during conversion.

The \overline{CS} signal initiates the data transfer and conversion process. The falling edge of \overline{CS} puts the track and hold into hold mode, takes the bus out of tristate and the analog input is sampled at this point. The conversion is also initiated at this point and will require at least 20 SCLK cycles to complete. Once 17 SCLK falling edges have elapsed, then the track and hold will go back into track on the next SCLK rising edge. Figure 12 shows a 24 SCLK transfer which allows for a 100kSPS throughput rate. On the 24th SCLK falling edge the SDATA line will go back into tristate. If the rising edge of \overline{CS} occurs before 24 SCLKs have elapsed then the conversion will be terminated and the SDATA line will go back into tri-state, otherwise SDATA returns to tri-state on the 24th SCLK falling edge as shown in Figure 12. A minimum of twenty serial clock cycles are required to perform the conversion process and to access data from the AD7680. \overline{CS} going low provides the first leading zero to be read in by the microcontroller or DSP. The remaining data is then clocked out by subsequent SCLK falling edges beginning with the 2nd leading zero, thus the first falling clock edge

on the serial clock has the first leading zero provided and also clocks out the second leading zero. The data transfer will consist of four leading zeros followed by the sixteen bits of data followed by four trailing zeros, if a 24 SCLK transfer is used as in Figure 12. The final bit (4th trailing zero) in the data transfer is valid on the 24th falling edge, having being clocked out on the previous (23rd) falling edge. If a 20 SCLK transfer is used as shown in Figure 13, then the data output stream will only consist of four leading zeros followed by sixteen bits of data with the final bit valid on the 20th SCLK falling edge. A 20 SCLK transfer will allow for a shorter cycle time and hence a faster throughput rate to be achieved.

It is also possible to take valid data on each SCLK rising edge rather than falling edge as the SCLK cycle time is long enough to ensure the data is ready on the rising edge of SCLK. However, the first leading zero will still be driven by the \overline{CS} falling edge and so can only be taken on the first SCLK falling edge. It may be ignored and the first rising edge of SCLK after the \overline{CS} falling edge would have the second leading zero provided and the 23rd rising SCLK edge would have the final trailing zero provided. This method may not work with most Micros/DSPs, but could possibly be used with FPGAs and ASICs.

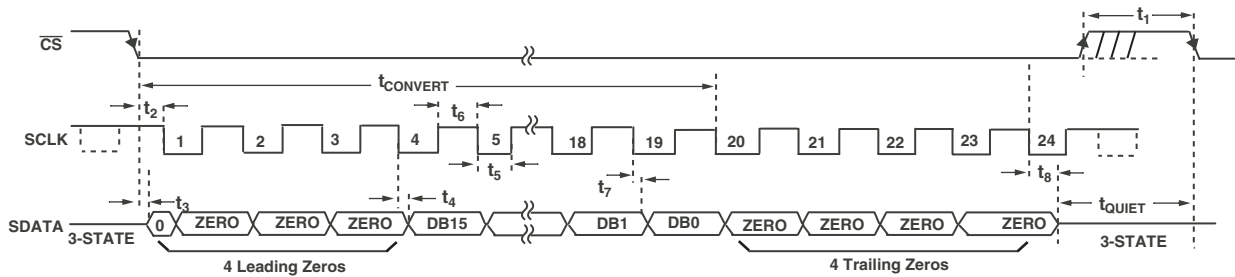


Figure 12. AD7680 Serial Interface Timing Diagram - 24 SCLK Transfer

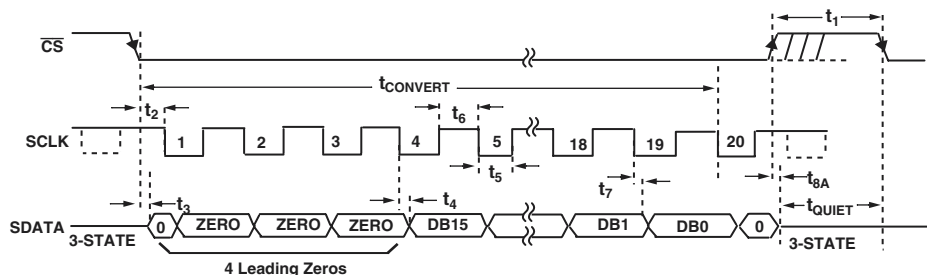


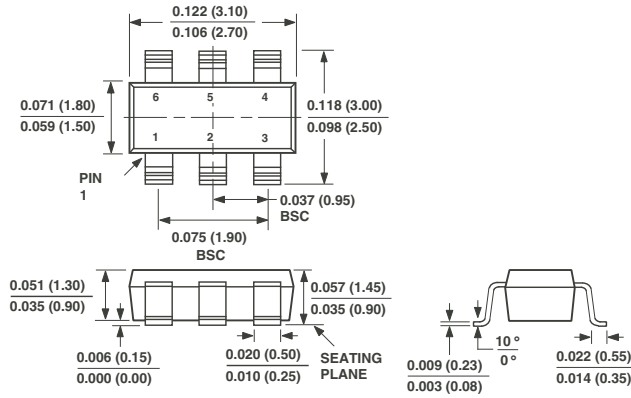
Figure 13. AD7680 Serial Interface Timing Diagram - 20 SCLK Transfer

AD7680

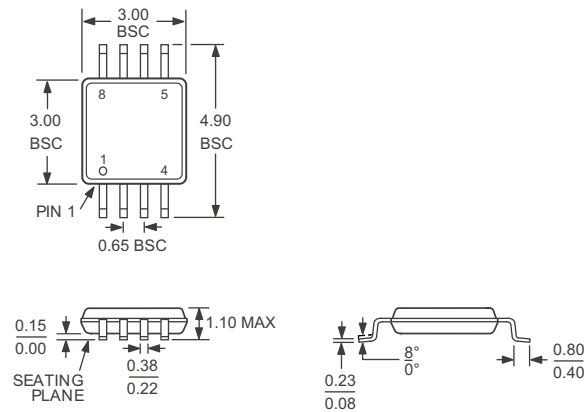
OUTLINE DIMENSIONS

Dimensions shown in inches and (mm).

6-lead SOT23 (RJ-6)



8-lead MSOP Package [MSOP] (RM-8)



COMPLIANT TO JEDEC STANDARDS MO-187AA