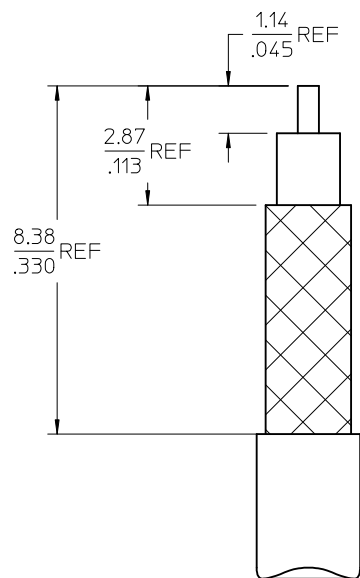
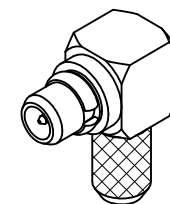
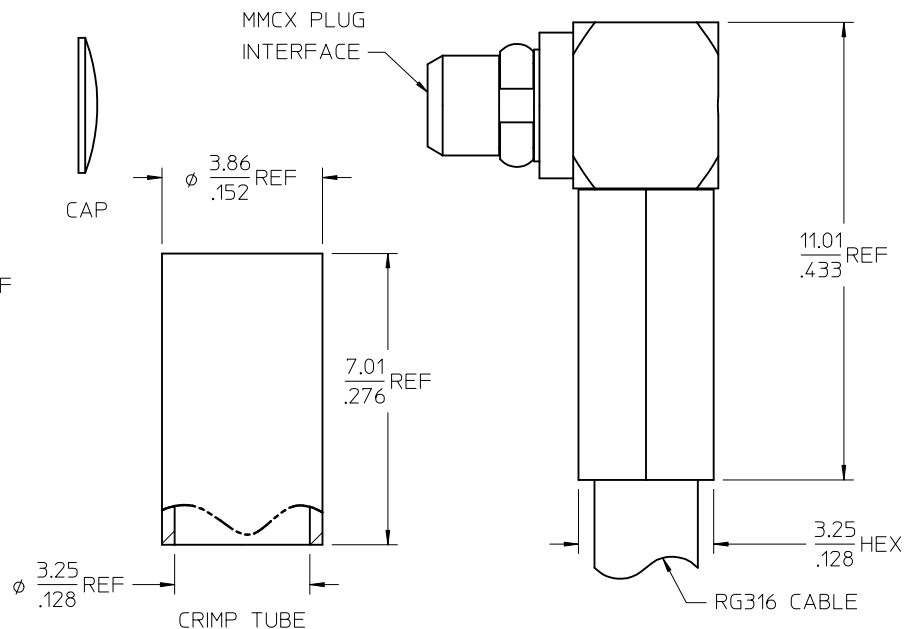
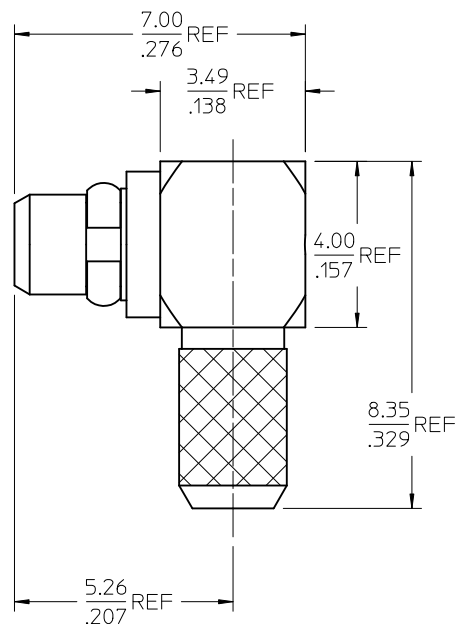


MATERIALS AND FINISHES:

BODY, CAP, CRIMP TUBE,
CONTACT: BRASS
FINISH: GOLD

SNAP RING: BERYLLIUM COPPER
FINISH: GOLD

INSULATOR: TEFLON



CABLE STRIP DIMENSIONS

73415-1124	CONTACT (10 μ" MIN.)
73415-1123	BODY(10), CAP(10), TUBE(10), CONTACT(30), RING(30)u"
73415-1122	P/N 73415-1121, ONE PER BAG
73415-1121	PER COMMERCIAL REQUIREMENTS, BULK
73415-1120	PER MILITARY REQUIREMENTS, BULK
PART NO.	PLATING AND PACKAGING

ES-73599-0000-015	INTERFACE
PS-89675-1930	ELECTRO/MECH PERFORM.
SPECIFICATION	DESCRIPTION

CHG: ADDED -1124 PER PDR112975 IEC NO: URF2012-0644 DRWN: CME102 2012/04/30 CHKD: APPR: MHIUANG 2012/05/11	QUALITY SYMBOLS ▽=0 ▽=0	GENERAL TOLERANCES (UNLESS SPECIFIED) mm INCH 4 PLACES ± --- ± --- 3 PLACES ± --- ± --- 2 PLACES ± --- ± --- 1 PLACE ± --- ± --- ANGULAR ± 2 °	DIMENSION STYLE MM/IN DRAWN BY DATE TEF 2000/01/13 CHECKED BY DATE TEF 2000/01/13 APPROVED BY DATE GMH 2000/01/13	SCALE DESIGN UNITS METRIC THIRD ANGLE PROJECTION	TITLE MMCX PLUG, R/A RG316 50 OHMS MMCX-PC
	DRAFT WHERE APPLICABLE MUST REMAIN WITHIN DIMENSIONS	MATERIAL NO. SEE TABLE	DOCUMENT NO. SD-73415-112	SHEET NO. 1 OF 1	
	THIS DRAWING CONTAINS INFORMATION THAT IS PROPRIETARY TO MOLEX INCORPORATED AND SHOULD NOT BE USED WITHOUT WRITTEN PERMISSION				
	SIZE C				