

PLEASE CHECK WWW.MOLEX.COM FOR LATEST PART INFORMATION

Part Number: [0039532295](#)
Status: **Active**
Overview:
Description: 1.25mm (.049") Pitch FFC/FPC Connector, Through-Hole, Vertical, ZIF, 29 Circuits, Lead-free

Agency Certification

UL E29179

General

Product Family FFC/FPC Connectors
 Series 5597
 Overview ffc_fpc_throughhole
 Product Name N/A

Physical

Circuits (Loaded) 29
 Color - Resin Natural
 Contact Position N/A
 Durability (mating cycles max) 30
 Entry Angle Vertical
 Flammability 94V-0
 Mated Height (in) 0.295 In
 Mated Height (mm) 7.50 mm
 Material - Metal Phosphor Bronze
 Material - Plating Mating Tin-Bismuth
 Material - Plating Termination Tin-Bismuth
 Material - Resin Polyester
 Number of Rows 1
 Orientation Vertical
 PC Tail Length (in) 0.138 In
 PC Tail Length (mm) 3.50 mm
 PCB Locator No
 PCB Retention None
 Packaging Type Tray
 Pitch - Mating Interface (in) 0.049 In
 Pitch - Mating Interface (mm) 1.25 mm
 Plating min: Mating (µin) 40
 Plating min: Mating (µm) 1
 Plating min: Termination (µin) 40
 Plating min: Termination (µm) 1
 Polarized to PCB No
 Stackable No
 Surface Mount Compatible (SMC) No
 Temperature Range - Operating -20°C to +80°C
 Termination Interface: Style Through Hole
 Wire/Cable Type FFC/FPC

Electrical

Current - Maximum per Contact 1A
 Voltage - Maximum 200V

Material Info

Old Part Number 5597-29CPB7F

Reference - Drawing Numbers

Packaging Specification SPK-5597-001

EU RoHS

**ELV and RoHS
Compliant**

REACH SVHC

Not Reviewed

Halogen-Free

Status

Not Reviewed

China RoHS



**Need more information on product
environmental compliance?**

Email productcompliance@molex.com
 For a multiple part number RoHS Certificate of Compliance, [click here](#)

Please visit the [Contact Us](#) section for any non-product compliance questions.

Search Parts in this Series

[5597Series](#)

Product Specification

Sales Drawing

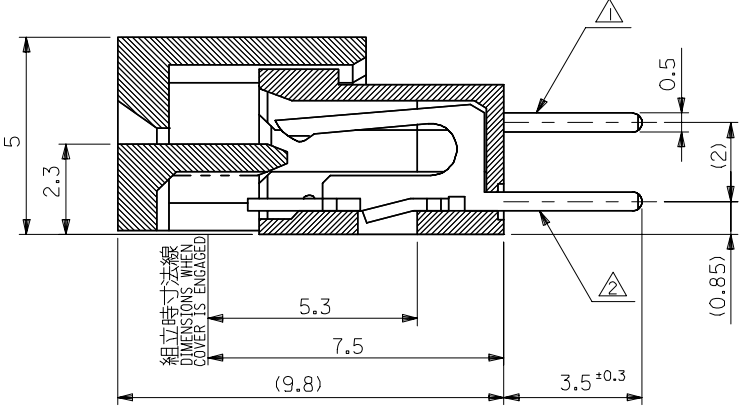
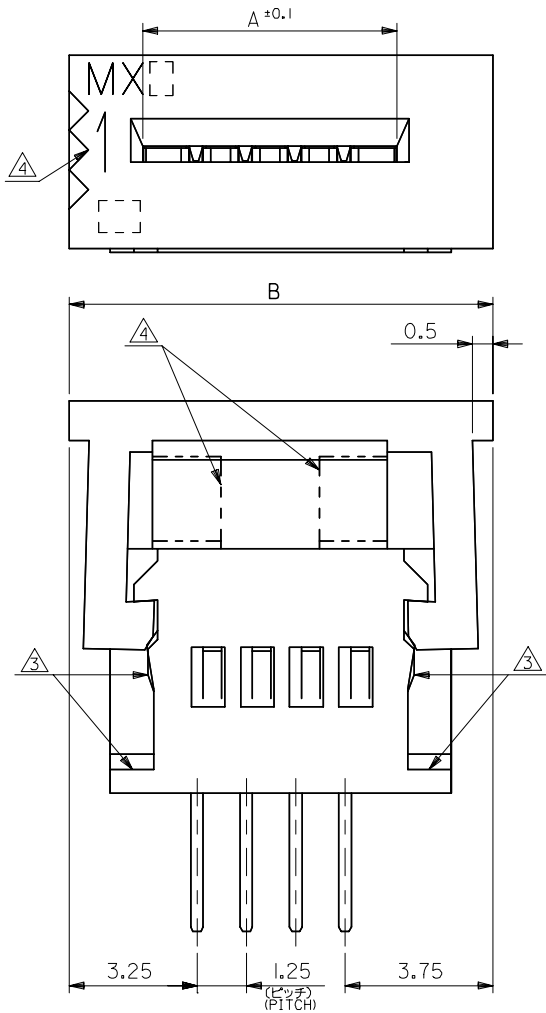
PS-5597-004, RPS-5597-005, RPS-5597-006,
RPS-5597-013, RPS-5597-014, RPS-5597-015,
RPS-5597-016
SD-5597-007

This document was generated on 06/04/2010

PLEASE CHECK WWW.MOLEX.COM FOR LATEST PART INFORMATION

10 9 8 7 6 5 4 3 2 1

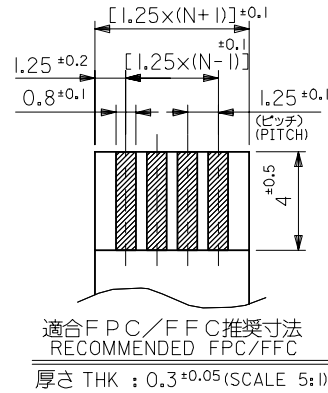
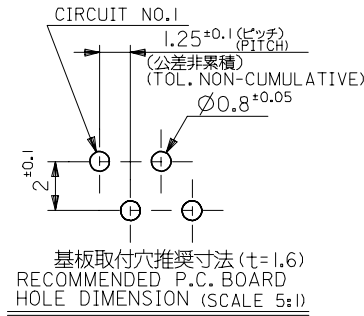
F
E
D
C
B
A



| | | | | |
|-------|-------|--------------|----------------|----|
| 49.5 | 45.2 | 39-53-2355 | 5597-35CPB7F | 35 |
| 48.25 | 43.95 | ↑ -2345 | ↑ -34CPB7F | 34 |
| 47 | 42.7 | ↑ -2335 | ↑ -33CPB7F | 33 |
| 45.75 | 41.45 | ↑ -2325 | ↑ -32CPB7F | 32 |
| 44.5 | 40.2 | ↑ -2315 | ↑ -31CPB7F | 31 |
| 43.25 | 38.95 | ↑ -2305 | ↑ -30CPB7F | 30 |
| 42 | 37.7 | ↑ -2295 | ↑ -29CPB7F | 29 |
| 40.75 | 36.45 | ↑ -2285 | ↑ -28CPB7F | 28 |
| 39.5 | 35.2 | ↑ -2275 | ↑ -27CPB7F | 27 |
| 38.25 | 33.95 | ↑ -2265 | ↑ -26CPB7F | 26 |
| 37 | 32.7 | ↑ -2255 | ↑ -25CPB7F | 25 |
| 35.75 | 31.45 | ↑ -2245 | ↑ -24CPB7F | 24 |
| 34.5 | 30.2 | ↑ -2235 | ↑ -23CPB7F | 23 |
| 33.25 | 28.95 | ↑ -2225 | ↑ -22CPB7F | 22 |
| 32 | 27.7 | ↑ -2215 | ↑ -21CPB7F | 21 |
| 30.75 | 26.45 | ↑ -2205 | ↑ -20CPB7F | 20 |
| 29.5 | 25.2 | ↑ -2195 | ↑ -19CPB7F | 19 |
| 28.25 | 23.95 | ↑ -2185 | ↑ -18CPB7F | 18 |
| 27 | 22.7 | ↑ -2175 | ↑ -17CPB7F | 17 |
| 25.75 | 21.45 | ↑ -2165 | ↑ -16CPB7F | 16 |
| 24.5 | 20.2 | ↑ -2155 | ↑ -15CPB7F | 15 |
| 23.25 | 18.95 | ↑ -2145 | ↑ -14CPB7F | 14 |
| 22 | 17.7 | ↑ -2135 | ↑ -13CPB7F | 13 |
| 20.75 | 16.45 | ↑ -2125 | ↑ -12CPB7F | 12 |
| 19.5 | 15.2 | ↑ -2115 | ↑ -11CPB7F | 11 |
| 18.25 | 13.95 | ↑ -2105 | ↑ -10CPB7F | 10 |
| 17 | 12.7 | ↑ -2095 | ↑ -09CPB7F | 9 |
| 15.75 | 11.45 | ↑ -2085 | ↑ -08CPB7F | 8 |
| 14.5 | 10.2 | ↑ -2075 | ↑ -07CPB7F | 7 |
| 13.25 | 8.95 | ↑ -2065 | ↑ -06CPB7F | 6 |
| 12 | 7.7 | ↑ -2055 | ↑ -05CPB7F | 5 |
| 10.75 | 6.45 | ↓ -2045 | ↓ -04CPB7F | 4 |
| 9.5 | 5.2 | ↓ 39-53-2035 | ↓ 5597-03CPB7F | 3 |

MODEL NO. 5597-NCPB7F B A EDP.NO. ENG. NO. 極数

| | | | | | | | | |
|--|---------------------------------------|------------|----------------------------|---|---------------------------------|------------------------|------------------------|--|
| REVISED EC NO: J2005-4741 DRAWN: SUZUKI CHKD: KTOJO APPR: NUKITA | GENERAL TOLERANCES (UNLESS SPECIFIED) | | DIMENSION STYLE MM ONLY | | SCALE --- | DESIGN UNITS METRIC | THIRD ANGLE PROJECTION | |
| | 10 UNDER | ± 0.2 | DRAWN BY YWADA | DATE 04/02/19 | TITLE 1.25 FPC CONN ASSY ZIF | | | |
| | 10 OVER 30 UNDER | ± 0.25 | CHECKED BY MSASAO | DATE 04/02/19 | -LEAD FREE- | | | |
| | 30 OVER | ± 0.3 | APPROVED BY MSASAO | DATE 04/02/19 | MOLEX INCORPORATED | | | |
| | ANGULAR | ± 3 ° | MATERIAL NO. | DOCUMENT NO. SD-5597-007 | SHEET NO. 1 OF 2 | | | |
| DRAFT WHERE APPLICABLE MUST REMAIN WITHIN DIMENSIONS | | SIZE A3 | | THIS DRAWING CONTAINS INFORMATION THAT IS PROPRIETARY TO MOLEX INCORPORATED AND SHOULD NOT BE USED WITHOUT WRITTEN PERMISSION | | | | |



FPCについて:

打抜き方向は導体側から補強板側を推奨いたします。
補強フィルム材質はポリイミドを推奨致します。
接着剤は熱硬化接着剤を推奨致します。

ABOUT FPC:

RECOMMENDED PUNCHER DIRECTION :
FROM CONDUCTOR SIDE TO STIFFENER BOARD SIDE.
RECOMMENDED MATERIAL:
STIFFENER FILM : POLYIMIDE
BONDING AGENT : THERMOSETTING BONDING AGENT

注記 NOTES

- ① MX J側を基準に奇数番目の極におけるソルダーテール。
SOLDER TAIL OF ODD CKTS, MXJ MARK AS BASIC.
- ② MX J側を基準に偶数番目の極におけるソルダーテール。
SOLDER TAIL OF EVEN CKTS, MXJ MARK AS BASIC.
- ③ 3極~10極に適用。APPLY FOR 3-10 CKTS.
- ④ 3極~19極に適用。APPLY FOR 3-19 CKTS.
- 5. () 内寸法は、参考値。
() DIMENSION IS FOR REFERENCE.
- 6. ソルダーテールは、先端が取付推奨穴にガイドされること。
SOLDER TAILS MAY BE CHECKED BY INSERTION FOR RECOMMENDED PCB BOARD HOLES.

7. 使用材料 MATERIAL

ハウジング、アクチュエーター: PBTP, UL94V-0
HOUSING, ACTUATOR: PBTP, UL94V-0
ターミナル: リン青銅 (t=0.3)
PHOSPHOR BRONZE (t=0.3)
錫ピスマスメッキ 1.0µm MIN.
TIN-BISMUTH 1.0 MICROMETER MIN.
ニッケル下地 1.0µm MIN.
NICKEL 1.0 MICROMETER MIN.

8. 本製品は5597-NCPBの鉛フリー品である。
THIS PRODUCT IS LEAD FREE OF 5597-NCPB.

| | | | | | | | | |
|---|--|-------|----------------------------|-----------------------------|--|------------------------|------------------------|--|
| REVISED EC NO: J2005-4741 DRAWN: SUZUKI CHKD: KATO APPR: NUKITA 2004/12/14 2004/12/14 2004/12/21 | GENERAL TOLERANCES (UNLESS SPECIFIED) | | DIMENSION STYLE MM ONLY | | SCALE --- | DESIGN UNITS METRIC | THIRD ANGLE PROJECTION | |
| | 10 UNDER | ±0.2 | DRAWN BY YWADA | DATE 04/02/19 | TITLE 1.25 FPC CONN ASSY ZIF | | | |
| | 10 OVER 30 UNDER | ±0.25 | CHECKED BY MSASAO | DATE 04/02/19 | -LEAD FREE- | | | |
| | 30 OVER | ±0.3 | APPROVED BY MSASAO | DATE 04/02/19 | MOLEX INCORPORATED | | | |
| | ANGULAR ±3 ° | | MATERIAL NO. | DOCUMENT NO. SD-5597-007 | SHEET NO. 2 OF 2 | | | |
| A | DRAFT WHERE APPLICABLE MUST REMAIN WITHIN DIMENSIONS | | SEE CHART | | THIS DRAWING CONTAINS INFORMATION THAT IS PROPRIETARY TO MOLEX INCORPORATED AND SHOULD NOT BE USED WITHOUT WRITTEN PERMISSION | | | |