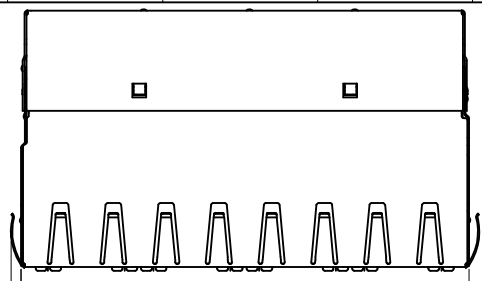


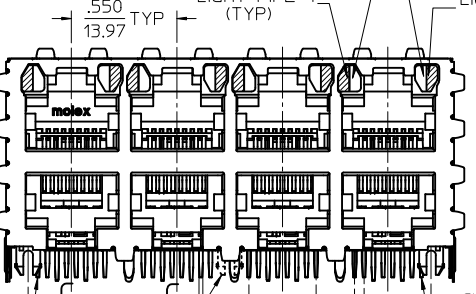
.052  
1.32 TYP



DIM -A-

LIGHT PIPE 3 (TYP)  
LIGHT PIPE 2 (TYP)  
LIGHT PIPE 4 (TYP)  
LIGHT PIPE 1 (TYP)

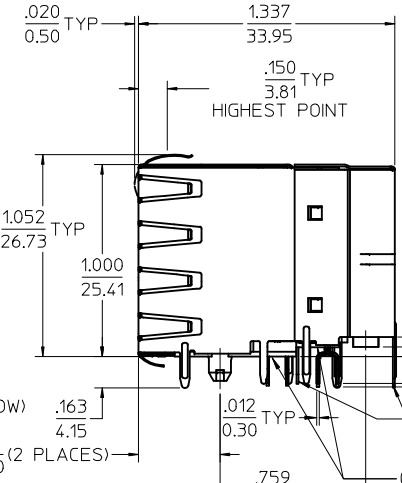
OPTIONAL  
SIDE PANEL  
GROUND TABS  
TYP (8)  
SEE NOTE 9



CIRCUIT #1 (BOTTOM ROW)  
SNAP-FIT CENTER PEG  
(16 PORT VERSIONS ONLY)

CIRCUIT #1 (TOP ROW)  
.050 TYP  
1.27

.020 TYP  
0.51  
DIM -B-



.020 TYP  
0.50  
1.337  
33.95

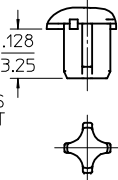
.150 TYP  
3.81  
HIGHEST POINT

1.052 TYP  
26.73

1.000  
25.41

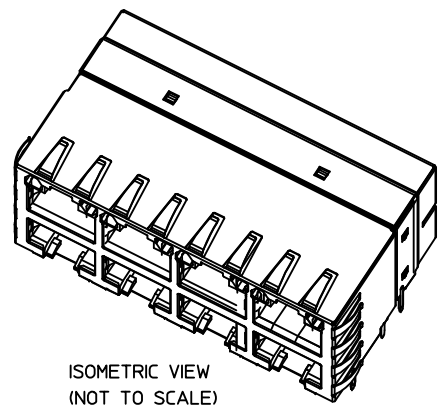
.100 TYP  
2.55  
.050 TYP  
1.27

.158 (2) PLACES  
4.01 PER PORT  
.140 (6) PLACES  
3.56 PER PORT



PRESS-FIT PEG  
STYLE (NOTE 6)

SNAP-FIT PEG  
STYLE (NOTE 6)



ISOMETRIC VIEW  
(NOT TO SCALE)

- NOTES:
- MATERIAL:  
HOUSING: POLYESTER(PBT), GLASS FILLED, UL94V-0, COLOR: BLACK  
LIGHT PIPES: POLYCARBONATE, UL-94HB, COLOR: CLEAR  
TERMINALS: PHOSPHOR BRONZE  
SHIELD: BRASS
  - FINISH:  
TERMINALS:  
SELECT GOLD IN CONTACT AREA: 50 MICROINCHES / 1.27 MICROMETERS MIN.  
\*SELECT TIN IN PC TAIL AREA: 100 MICROINCHES / 2.54 MICROMETERS MIN.  
WITH OVERALL NICKEL UNDERPLATE: 50 MICROINCHES / 1.27 MICROMETERS MIN.  
SHIELD:  
\*100 MICROINCHES / 2.54 MICROMETERS NICKEL OVER 50 MICROINCHES /  
1.27 MICROMETERS COPPER UNDERPLATE PCB GROUND TABS DIPPED IN TIN  
\*THE PRIMARY SHIPPING CARTON WILL BE LABELED 'COMPLIANT TO RoHS DIRECTIVE  
2002/95/EC AND ELV ANNEX II OF DIRECTIVE 2000/53/EC'. CARTONS WITHOUT THIS  
LABEL MAY CONTAIN PRODUCT WITH TIN-LEAD IN THE PC TAILS AND/OR SHIELD.
  - PRODUCT SPECIFICATION AND PROCESSING PARAMETERS: PS-44050-003.
  - PACKAGING SPECIFICATION: CONNECTOR PACKAGED IN THERMOFORMED TRAYS PER PK-44170-003.
  - APPLICATION SPECIFICATION: AS-43860-001
  - CONNECTORS AVAILABLE WITH EITHER SNAP-FIT OR PRESS-FIT PEGS.
  - CONFORMS TO FCC REGULATION PART 68.5 FOR MODULAR JACKS.
  - PCB LAYOUT AND PANEL CUT-OUT SHOWN ON SHEET (2) OF (2).
  - AVAILABLE WITH THE (8) PANEL GROUND TABS REMOVED ON EACH SIDE  
FOR SIDE TO SIDE STACKABILITY.
  - TERMINAL LENGTHS MAY BE DIFFERENT FROM TERMINAL TO TERMINAL.
  - THIS PART CONFORMS TO CLASS B REQUIREMENTS OF COSMETIC  
SPECIFICATION PS-45499-002 WITH THE EXCEPTION OF THE SURFACE  
INDICATED WHICH IS A CLASS C SURFACE.

ASSEMBLY MATERIAL NUMBER	NUMBER OF PORTS	PEG STYLE	DIM -A-	DIM -B-	SIDE PANEL GROUND TABS	INNER/REAR GROUND TABS
44170-0001	8 (2 X 4)	SNAP-FIT	2.330/59.18	2.100/53.34	YES	YES
44170-2001	8 (2 X 4)	SNAP-FIT	2.330/59.18	2.100/53.34	NO	YES
44170-3001	8 (2 X 4)	SNAP-FIT	2.330/59.18	2.100/53.34	YES	NO
44170-4001	8 (2 X 4)	SNAP-FIT	2.330/59.18	2.100/53.34	NO	NO
44170-0004	8 (2 X 4)	PRESS-FIT	2.330/59.18	2.100/53.34	YES	YES
44170-2004	8 (2 X 4)	PRESS-FIT	2.330/59.18	2.100/53.34	NO	YES
44170-3004	8 (2 X 4)	PRESS-FIT	2.330/59.18	2.100/53.34	YES	NO
44170-4004	8 (2 X 4)	PRESS-FIT	2.330/59.18	2.100/53.34	NO	NO
44170-0002	12 (2 X 6)	SNAP-FIT	3.430/87.12	3.200/81.28	YES	YES
44170-2002	12 (2 X 6)	SNAP-FIT	3.430/87.12	3.200/81.28	NO	YES
44170-3002	12 (2 X 6)	SNAP-FIT	3.430/87.12	3.200/81.28	YES	NO
44170-4002	12 (2 X 6)	SNAP-FIT	3.430/87.12	3.200/81.28	NO	NO
44170-0005	12 (2 X 6)	PRESS-FIT	3.430/87.12	3.200/81.28	YES	YES
44170-2005	12 (2 X 6)	PRESS-FIT	3.430/87.12	3.200/81.28	NO	YES
44170-3005	12 (2 X 6)	PRESS-FIT	3.430/87.12	3.200/81.28	YES	NO
44170-4005	12 (2 X 6)	PRESS-FIT	3.430/87.12	3.200/81.28	NO	NO
44170-0003	16 (2 X 8)	SNAP-FIT	4.530/115.06	4.300/109.22	YES	YES
44170-2003	16 (2 X 8)	SNAP-FIT	4.530/115.06	4.300/109.22	NO	YES
44170-3003	16 (2 X 8)	SNAP-FIT	4.530/115.06	4.300/109.22	YES	NO
44170-4003	16 (2 X 8)	SNAP-FIT	4.530/115.06	4.300/109.22	NO	NO
44170-0006	16 (2 X 8)	PRESS-FIT	4.530/115.06	4.300/109.22	YES	YES
44170-2006	16 (2 X 8)	PRESS-FIT	4.530/115.06	4.300/109.22	NO	YES
44170-3006	16 (2 X 8)	PRESS-FIT	4.530/115.06	4.300/109.22	YES	NO
44170-4006	16 (2 X 8)	PRESS-FIT	4.530/115.06	4.300/109.22	NO	NO

REVISED TITLE BLOCK  
EC NO: UCP2010-0464  
DRAWN: JAGUILAR 2009/08/20  
CHKD: BELL 2009/08/26  
APPR: FSMITH 2009/08/26

QUALITY SYMBOLS  
▽=0  
▽=0

GENERAL TOLERANCES (UNLESS SPECIFIED)		DIMENSION STYLE	
mm	INCH	IN/MM	
4 PLACES ± .010	± .0004	DRAWN BY	DATE
3 PLACES ± .010	± .0004	MARGULIS	98/11/16
2 PLACES ± .025	± .0010	CHECKED BY	DATE
1 PLACE ± .010	± .0004	ROBERTS	98/11/16
ANGULAR ± 1/2°	± .0004	APPROVED BY	DATE
		ROBERTS	98/11/16

DRAFT WHERE APPLICABLE  
MUST REMAIN  
WITHIN DIMENSIONS

SEE CHART

MATERIAL NO.  
SD-44170-001

SCALE 2:1  
DESIGN UNITS INCH  
THIRD ANGLE PROJECTION

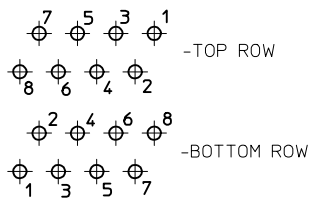
TITLE  
**STACKED MODULAR JACK  
WITH LIGHT PIPES  
CAT 5**

MOLEX MOLEX INCORPORATED

DOCUMENT NO.  
SD-44170-001

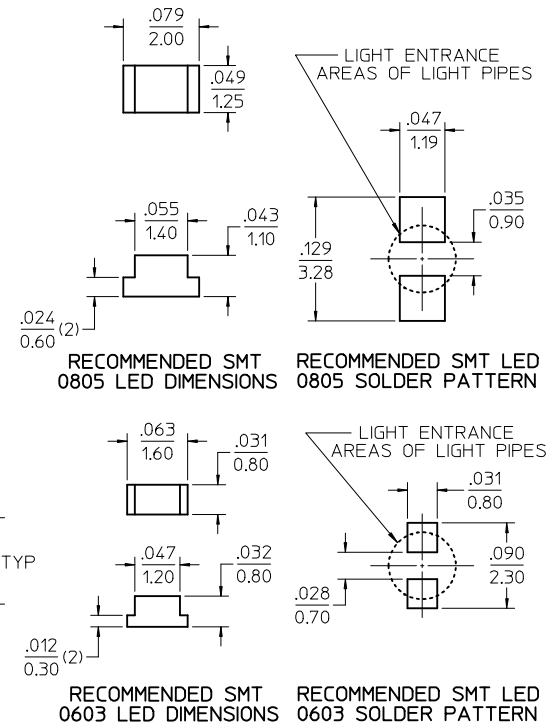
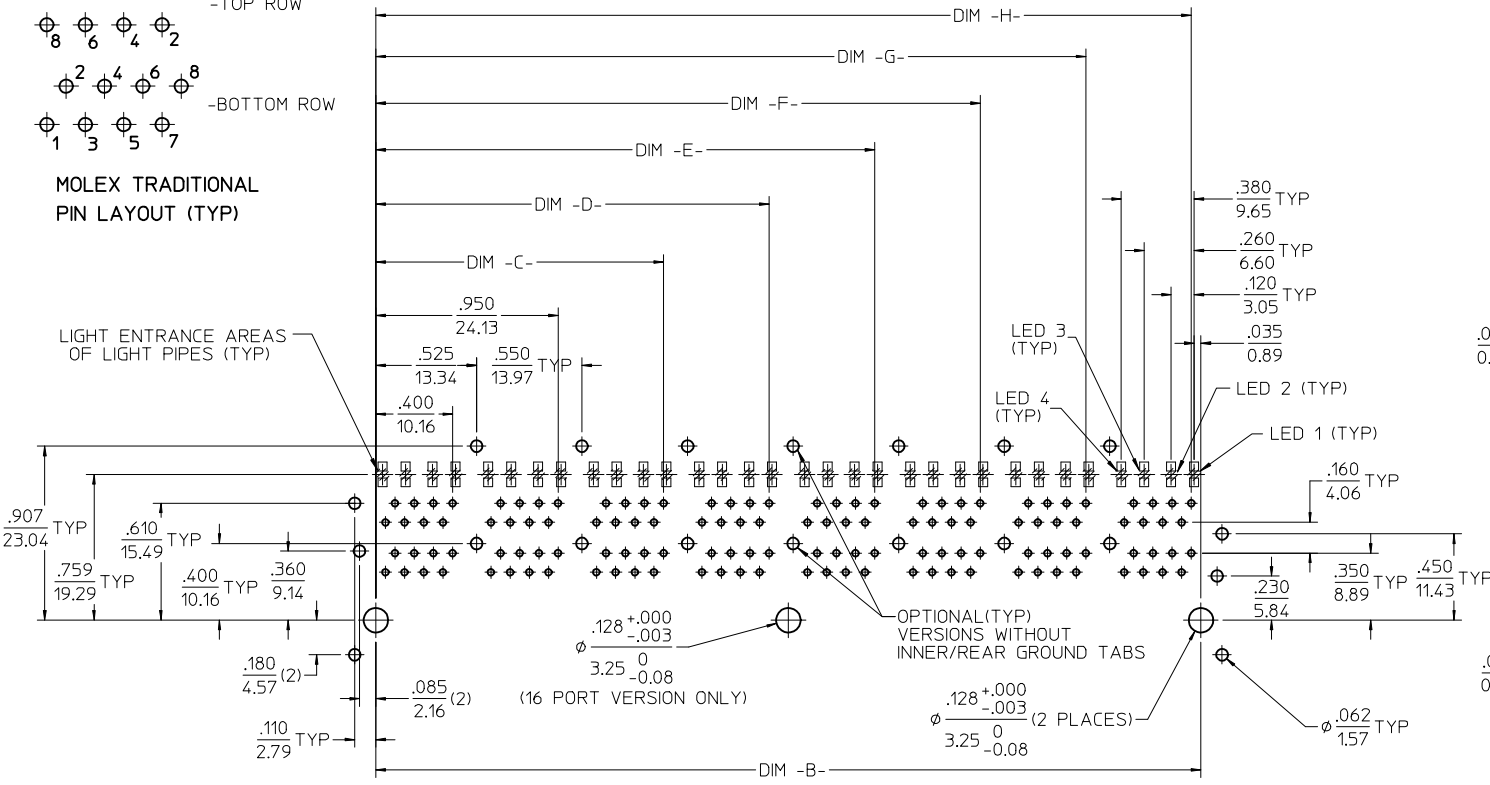
SHEET NO.  
1 OF 2

THIS DRAWING CONTAINS INFORMATION THAT IS PROPRIETARY TO MOLEX INCORPORATED AND SHOULD NOT BE USED WITHOUT WRITTEN PERMISSION

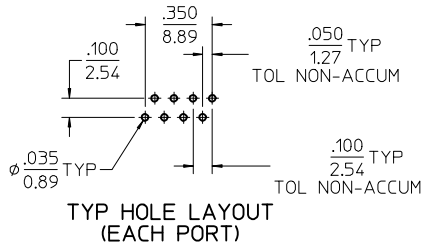


**MOLEX TRADITIONAL PIN LAYOUT (TYP)**

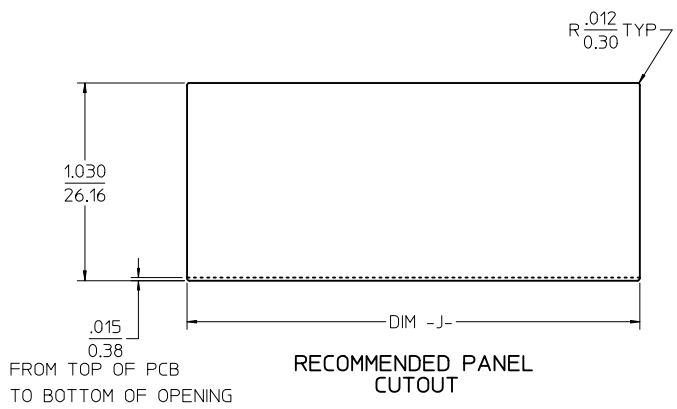
**LIGHT ENTRANCE AREAS OF LIGHT PIPES (TYP)**



**PC BOARD LAYOUT: COMPONENT SIDE**  
**RECOMMENDED PCB THICKNESS: .062/1.57**  
**(16 PORT VERSION SHOWN)**



- NOTES:**
1. SEE MOLEX WEB SITE FOR CROSS REFERENCE OF RECOMMENDED LED'S.



NUMBER OF PORTS	DIM -B-	DIM -C-	DIM -D-	DIM -E-	DIM -F-	DIM -G-	DIM -H-	DIM -J-
8 (2 X 4)	2.100/53.34	1.500/38.10	2.050/52.07					2.360/59.94
12 (2 X 6)	3.200/81.28	1.500/38.10	2.050/52.07	2.600/66.04	3.150/80.01			3.460/87.88
16 (2 X 8)	4.300/109.22	1.500/38.10	2.050/52.07	2.600/66.04	3.150/80.01	3.700/93.98	4.250/107.95	4.560/115.82

<b>SEE SHEET 1</b> EC NO: UCP2010-0464 DRWN: JAGUILAR CHKD: BELL APPR: FSMITH 2009/08/20 2009/08/26 2009/08/26	QUALITY SYMBOLS ▽=0 ▽=0	GENERAL TOLERANCES (UNLESS SPECIFIED)		DIMENSION STYLE <b>IN/MM</b>		SCALE <b>2:1</b>	DESIGN UNITS <b>INCH</b>	THIRD ANGLE PROJECTION	
		4 PLACES ± --- ± ---	mm INCH	DRAWN BY MARGULIS	DATE 98/11/16	TITLE <b>STACKED MODULAR JACK WITH LIGHT PIPES CAT 5</b>			
		3 PLACES ± --- ± .010		CHECKED BY ROBERTS	DATE 98/11/16	MOLEX INCORPORATED			
		2 PLACES ± 0.25 ± ---		APPROVED BY ROBERTS	DATE 98/11/16	MATERIAL NO. <b>SEE CHART</b>			
1 PLACE ± --- ± ---		ANGULAR ±1/2°		DRAFT WHERE APPLICABLE MUST REMAIN WITHIN DIMENSIONS		DOCUMENT NO. <b>SD-44170-001</b>		SHEET NO. <b>2 OF 2</b>	
THIS DRAWING CONTAINS INFORMATION THAT IS PROPRIETARY TO MOLEX INCORPORATED AND SHOULD NOT BE USED WITHOUT WRITTEN PERMISSION									