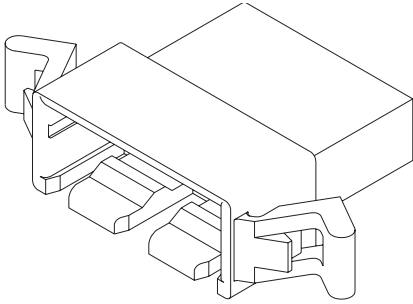


2.50mm (.098") Pitch SPOX™ Wire-to-Wire Plug Housing 5240



Features and Benefits

- Sizes 2 to 12 circuits
- With and without mounting ears

Reference Information

Packaging: Bag
 UL File No.: E29179
 CSA File No.: LR19980
 Mates With: 5102-N and 51191 housings
 Use With: 5241 terminals
 Designed In: Millimeters

Electrical

Voltage: 250V
 Current:

AWG	22	24	26	28
	3.0A	2.5A	2.0A	1.5A

Contact Resistance: 20 milliohms max.
 Dielectric Withstanding Voltage: 1000V AC/1 min.
 Insulation Resistance: 1000 Megohms min.

Physical

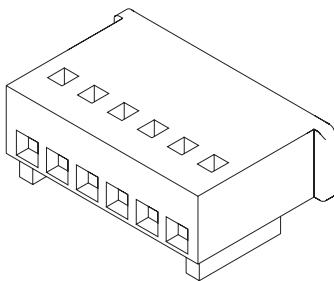
Housing: 6/6 nylon, UL 94V-0
 Operating Temperature: -40 to +105°C

Circuits	Order No.	
	With Ears	Without Ears
2	29-11-0022	29-11-0023
3	29-11-0032	29-11-0033
4	29-11-0042	29-11-0043
5	29-11-0052	29-11-0053
6	29-11-0062	29-11-0063
7	29-11-0072	29-11-0073

Circuits	Order No.	
	With Ears	Without Ears
8	29-11-0082	29-11-0083
9	29-11-0092	29-11-0093
10	29-11-0102	29-11-0103
11	29-11-0112	29-11-0113
12	29-11-0122	29-11-0123

www.molex.com/product/spox.html

2.50mm (.098") Pitch SPOX™ Wire-to-Board Crimp Terminal Housing 5102-N



Features and Benefits

- Sizes 2 to 20 circuits
- Low profile
- Molded pull tab
- Friction lock

Reference Information

Packaging: Bag
 UL File No.: E29179
 CSA File No.: LR19980
 Mates With: 5045-NA and 5046-NA
 Use With: 5103 terminals
 Designed In: Millimeters

Electrical

Voltage: 250V
 Current:

AWG	22	24	26	28
	3.0A	2.5A	2.0A	1.5A

Contact Resistance: 20 milliohms max.
 Dielectric Withstanding Voltage: 1000V AC/1 min.
 Insulation Resistance: 1000 Megohms min.

Physical

Housing: 6/6 nylon, UL 94V-0
 Operating Temperature: -40 to +105°C

Circuits	Order No.
2	22-01-1024
3	22-01-1034
4	22-01-1044
5	22-01-1054
6	22-01-1064
7	22-01-1074
8	22-01-1084
9	22-01-1094
10	22-01-1104
11	22-01-1114

Circuits	Order No.
12	22-01-1124
13	22-01-1134
14	22-01-1144
15	22-01-1154
16	22-01-1164
17	22-01-1174
18	22-01-1184
19	22-01-1194
20	22-01-1204