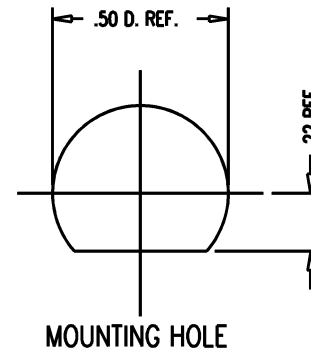
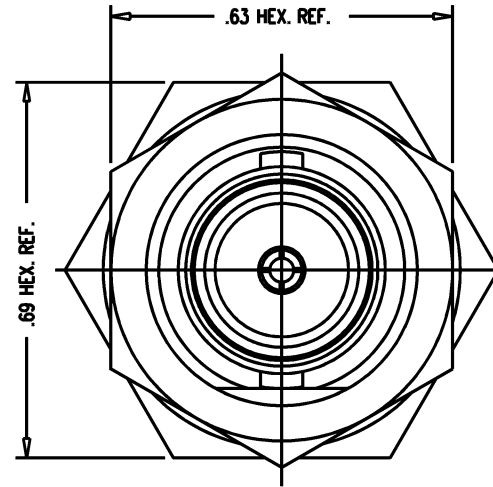
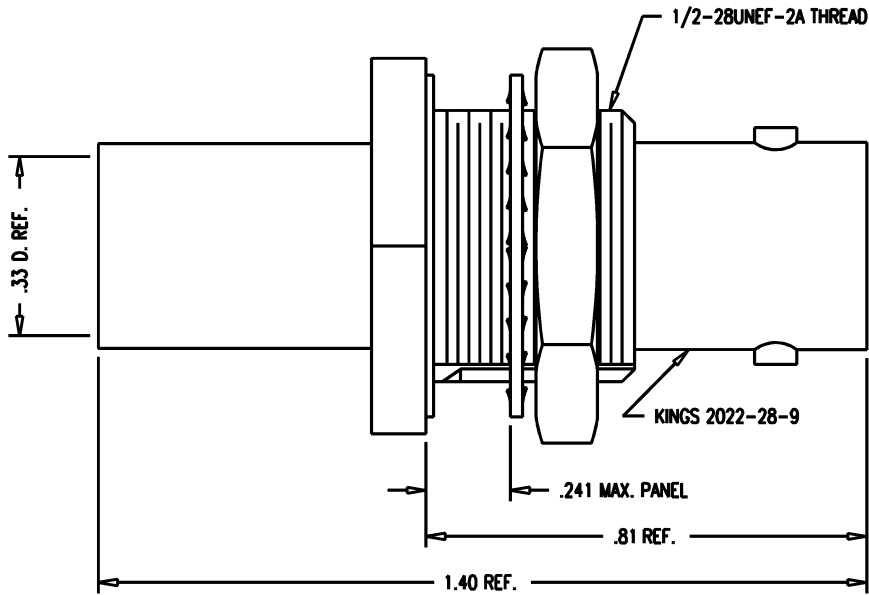


GSD

2022-28-9



GSD

REVISIONS

ISSUE	CHANGES
0	ER 36536 ME 09/06/95

QGS0815

SCALE:	4:1
APPROX SURFACE AREA	
WAS:	E-18983
USED ON	
REF:	
JACK, BULKHEAD, 75~W BNC, F	
DRAWN	ME 09/06/95
DESIGN	AR 09/06/95
APPR.	DATE

KINGS
ELECTRONICS CO., INC.
TUCKAHOE, NEW YORK 10707

2022-28-9

NOTES:

- FOR USE WITH WE724 AND BELDEN 8281 CABLES.
- FOR CABLE INSTRUCTIONS SEE CP-465.
- FOR CRIMPING USE DIE KTH-2010.
- INTERFACE PER KINGS ES-17, FIG. 2.
- CONTACT, P/N 1-507-39MA9, TO BE SUPPLIED UNASSEMBLED.
- MATERIALS:
INSULATOR: TEFLON, ASTM-D-4894
GASKET: SILICONE RUBBER, ZZ-R-765
K-GRIP SLEEVE: COM'L BRONZE, ASTM-B-140
LOCKWASHER: PHOSPHOR BRONZE, ASTM-B-103
CONTACT: BER. COPPER, ASTM-B-196
ALL OTHER METAL PARTS: BRASS, ASTM-B16
- FINISHES:
CONTACT: GOLD PLATE PER MIL-G-45204
ALL OTHER METAL PARTS: KINGS TARNISH RESISTANT NICKEL FINISH (TR-5)
- ELECTRICAL CHARACTERISTICS:
NOMINAL IMPEDANCE: 75~W
FREQUENCY RANGE: DC TO 4 GHz
VOLTAGE RATING: 500 VOLTS RMS