

## Features

- SYMMETRICAL CLIPPING:  
GOOD EVEN-ORDER SUPPRESSION
- HIGH GAIN: 13 dB (TYP.)
- LOW VSWR: < 1.5:1 (TYP.)
- FAST PULSE RECOVERY TIME: < 50 NSEC (TYP.)

## Description

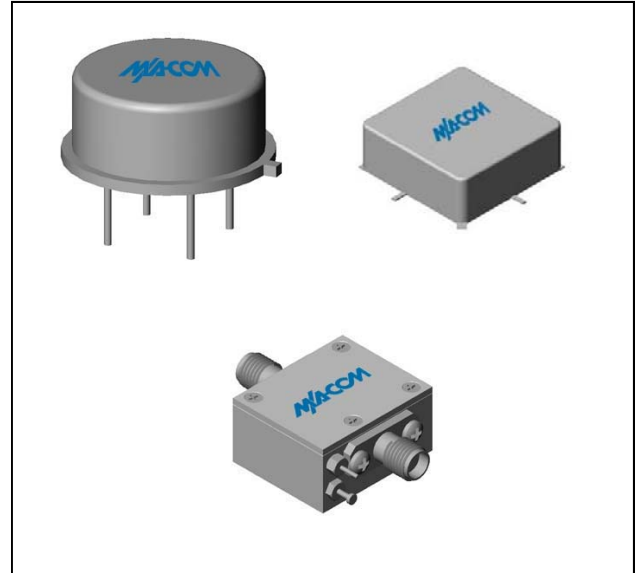
The AL7 limiting amplifier is a discrete hybrid design, which uses thin film manufacturing processes for accurate performance and high reliability. This design uses a Schottky diode limiter circuit at the output, and a single stage bipolar transistor feedback amplifier at the output. An RF choke is used for DC power supply decoupling. Both TO-8 and Surface Mount packages are hermetically sealed, and MIL-STD-883 environmental screening is available.

## Ordering Information

Part Number	Package
AL7	TO-8
SMAL7	Surface Mount
CAL7 **	SMA Connectorized

\*\* The connectorized version is not RoHs compliant.

## Product Image



## Electrical Specifications: $Z_0 = 50\Omega$ , $V_{CC} = +15 V_{DC}$

Parameter	Units	Typical	Guaranteed	
		25°C	0° to 50°C	-54° to +85°C*
Frequency	MHz	20-550	50-500	50-500
Small Signal Gain (min)	dB	13.0	12.0	11.0
Gain Flatness (max)	dB	±0.2	±0.5	±0.7
Noise Figure (max)	50-300 MHz	5.0	6.0	6.5
	300-500 MHz	5.5	6.5	7.0
Power Output @ 1 dB comp. (min)	dBm	-1.5	-5.0	-7.0
Output Limiting Level (max) Pin = +10 dBm	dBm	+0.5	+1.5	+2.5
VSWR Input / Output (max)		1.1:1 / <1.5:1	1.7:1 / 2.0:1	1.8:1 / 2.1:1
DC Current @ 15 Volts (max)	mA	54	60	62

## Absolute Maximum Ratings

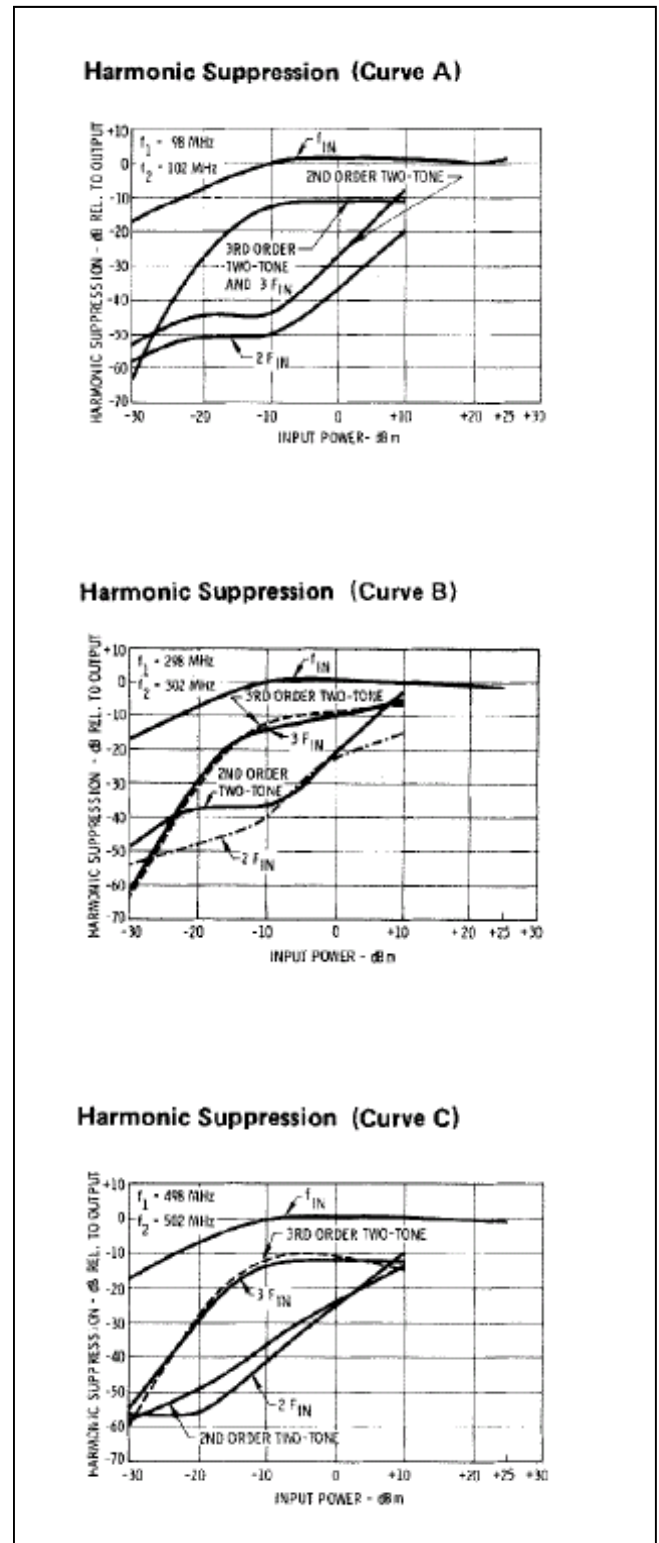
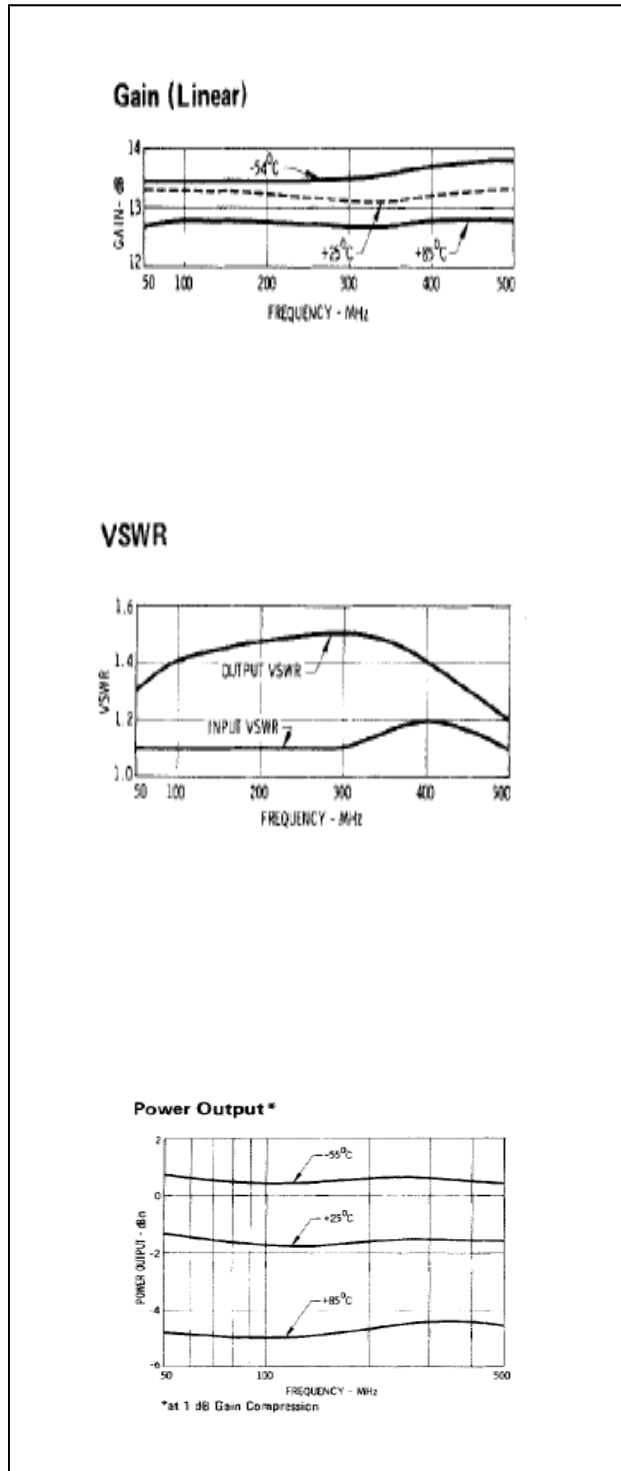
Parameter	Absolute Maximum
Storage Temperature	-62°C to +125°C
Case Temperature	+125°C
DC Voltage	+17 V
Continuous Input Power	+13 dBm
Short Term Input power (1 minute max.)	50 mW
Peak Power (3 µsec max.)	0.5 W
"S" Series Burn-In Temperature (case)	125°C

## Thermal Data: $V_{CC} = +15 V_{DC}$

Parameter	Rating
Thermal Resistance $\theta_{jc}$	45°C/W
Transistor Power Dissipation $P_d$	0.560 W
Junction Temperature Rise Above Case $T_{jc}$	25.2°C

\* Over temperature performance limits for part number CAL7, guaranteed from 0°C to +50°C only.

## Typical Performance Curves at +25°C

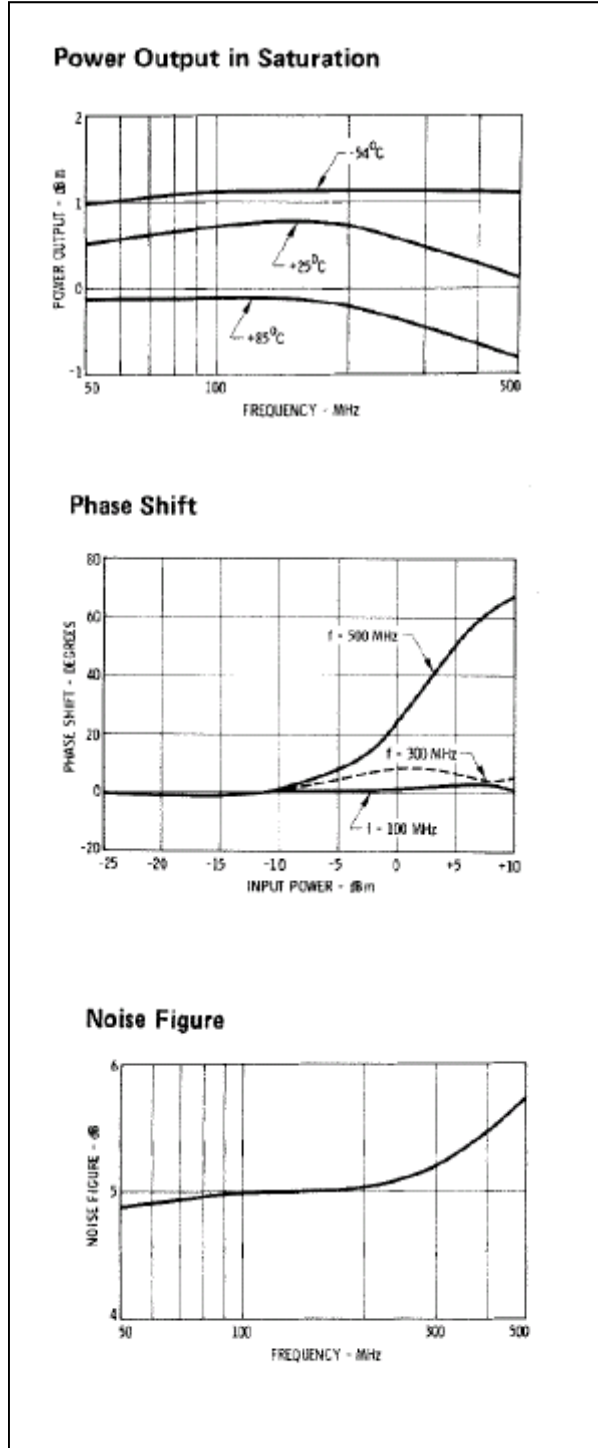


# AL7 / SMAL7

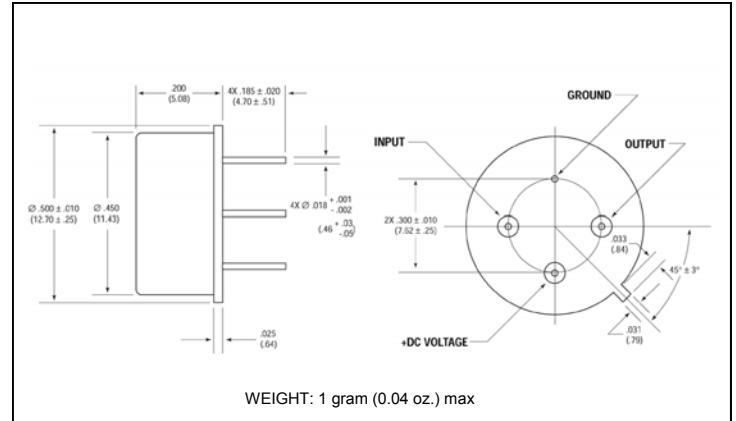
Cascadable Amplifier  
50 to 500 MHz

Rev. V4

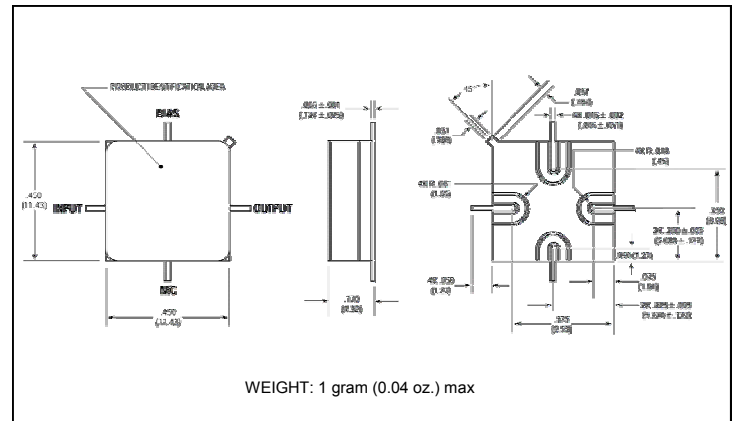
## Typical Performance Curves at +25°C



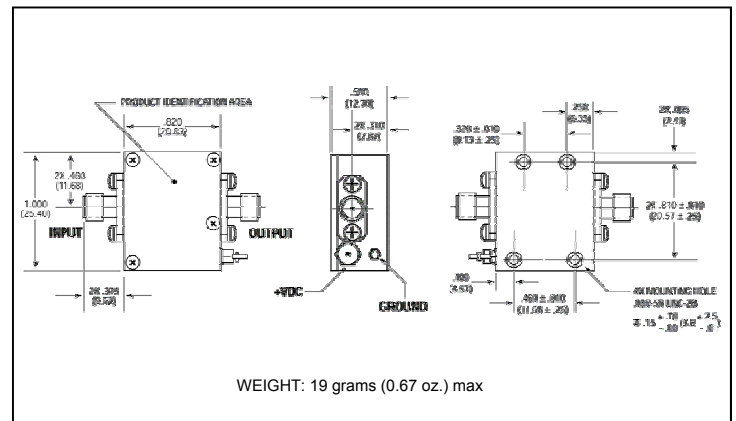
## Outline Drawing: TO-8 \*



## Outline Drawing: Surface Mount \*



## Outline Drawing: SMA Connectorized \*



\* Dimensions are inches (millimeters) ±0.015 (0.38) unless otherwise specified.