

10 9 8 7 6 5 4 3 2 1

F

E

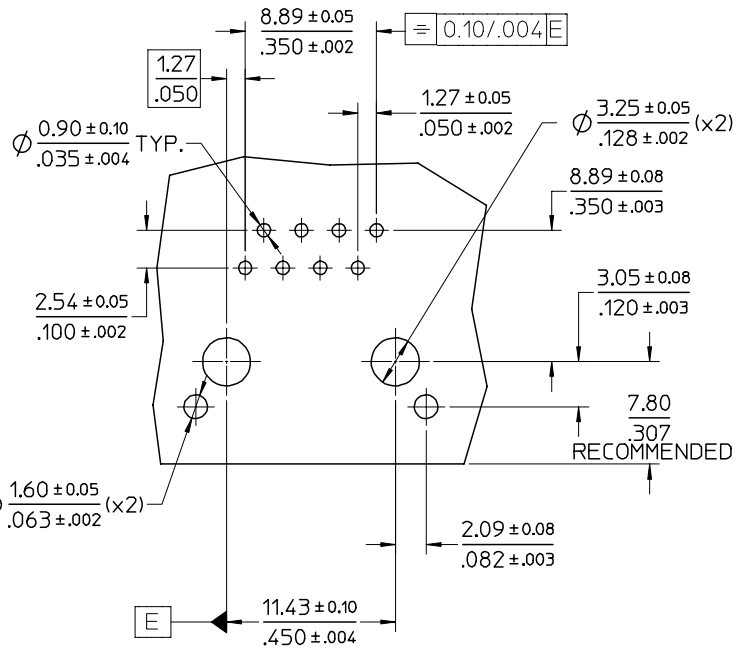
D

C

B

A

|            |                 |
|------------|-----------------|
| PART No.   | PACKAGING SPEC. |
| 95622-3881 | PK-95122 SHT 1. |
| 95622-3981 | PK-95122-006    |



RECOMMENDED P.C.B LAYOUT VIEW FROM COMPONENT SIDE

**TECHNICAL SPECIFICATIONS:**

**MATERIAL:**

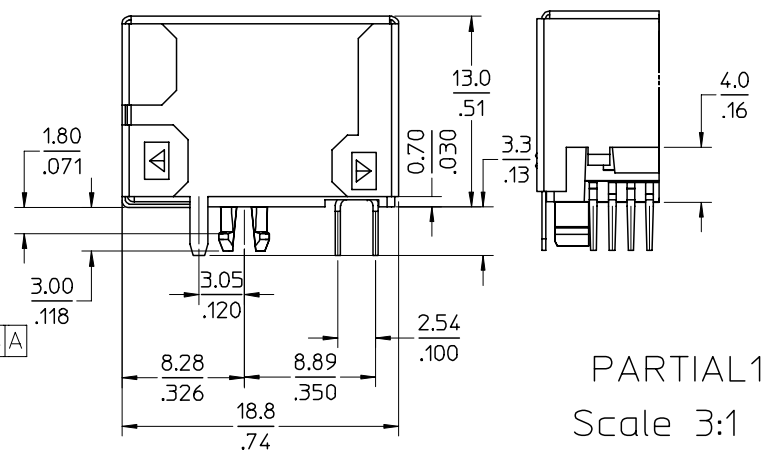
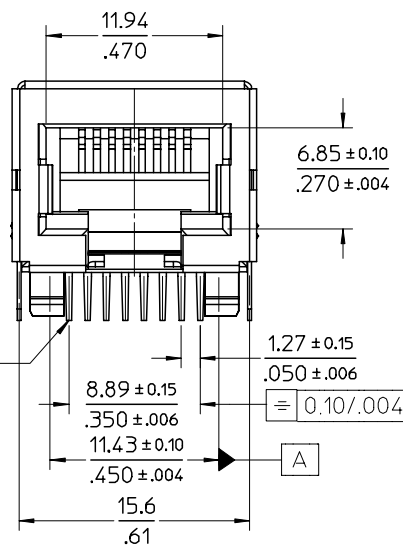
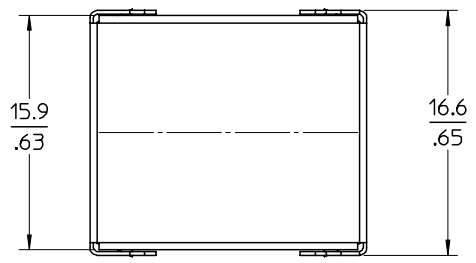
HOUSING: LCP GLASS FILLED UL 94V-0  
COLOUR BLACK.

TERMINAL: BRASS PLATED WITH:  
0.00127/.000050 MIN. GOLD IN CONTACT AREA,  
0.00190/.000075 MIN. PURE TIN IN TAIL AREA,  
BOTH OVER 0.00127/.000050 MIN NICKEL OVERALL

SHIELD: BRASS PLATED WITH 0.0020/.000078 MIN.TIN

**NOTES:**

- JACK FOR MATING WITH SHIELDED PLUG MOLEX 95043 AND 85568 SERIES.
- PRODUCT SPECIFICATION: MOLEX PS-95622-001.
- P.C.B. THICKNESS: 1.57/.062
- PACKAGING SPECIFICATION: SEE CHART.
- APPLICATION SPECIFICATION: AS-85513-001



PARTIAL1 Scale 3:1

|  |                               |                                       |                       |   |                    |  |                        |                              |                     |  |  |
|--|-------------------------------|---------------------------------------|-----------------------|---|--------------------|--|------------------------|------------------------------|---------------------|--|--|
| ADDED PART No.<br>EC NO: E2008-0224<br>DRWN: DBYRNES<br>CHKD:<br>APPR: HDURMAN | QUALITY SYMBOLS<br>▽=0<br>▽=0 | GENERAL TOLERANCES (UNLESS SPECIFIED) |                       | DIMENSION STYLE<br>MM/IN  |                    | SCALE<br>3:1   | DESIGN UNITS<br>METRIC | THIRD ANGLE PROJECTION       |                     |  |  |
|  |                               | 4 PLACES ± --- ± ---                  | 3 PLACES ± --- ± .010 | DRAWN BY<br>D.BYRNES  | DATE<br>2006/07/27 | TITLE<br>FULLY SHIELDED R/A<br>MODULAR JACK 8 CKTS<br>THROUGH HOLE-VERSION LCP |                        |                              |                     |  |  |
|  |                               | 2 PLACES ± 0.25 ± .014                | 1 PLACE ± 0.35 ± ---  | CHECKED BY<br>EOMAHONY  | DATE<br>2006/07/28 | MOLEX INCORPORATED   |                        |                              |                     |  |  |
|  |                               | ANGULAR ± 2 °                         |                       | APPROVED BY<br>EOMAHONY   | DATE<br>2006/07/28 | MATERIAL NO.<br>SEE CHART  |                        | DOCUMENT NO.<br>SD-95622-003 | SHEET NO.<br>1 OF 1 |  |  |
| DRAFT WHERE APPLICABLE<br>MUST REMAIN WITHIN DIMENSIONS                        |                               | SIZE<br>A3                            |                       | THIS DRAWING CONTAINS INFORMATION THAT IS PROPRIETARY TO MOLEX INCORPORATED AND SHOULD NOT BE USED WITHOUT WRITTEN PERMISSION |                    |  |                        |                              |                     |  |  |

9 8 7 6 5 4 3 2 1