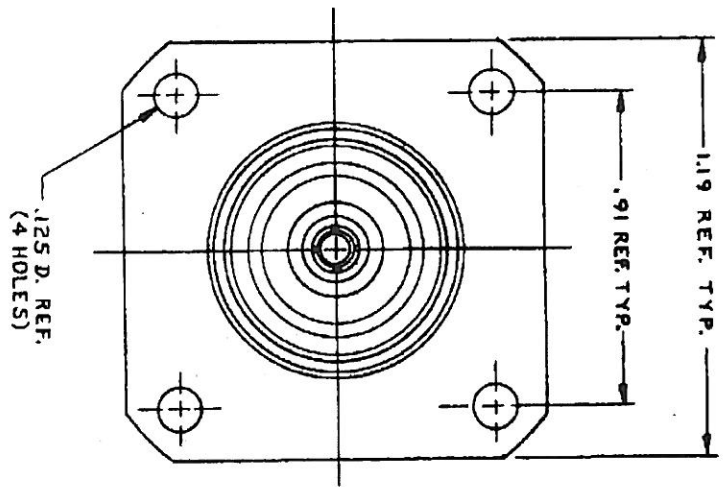


- NOTES:
1. FOR USE WITH TIMES AA-2831 & FEP 226 CABLES.
 2. FOR CABLE TRIMMING USE DIE SIZE 177.
 3. FOR CRIMPING USE DIE SIZE 177.
 4. FOR CABLING INSTRUCTIONS SEE CP-5402.
 5. ITEM ⑤ TO BE SUPPLIED UNASSEMBLED.
 6. INTERFACE PER MIL-STD-348, FIG. 309-2.
 7. ITEMS ①, ② & ⑤ TO BE TR-5 FINISH.
 8. MARK PACKAGE: KINGS B21-3-9 XXXX (DATE CODE)

UNLESS OTHERWISE SPECIFIED:

1. TOLERANCES FRACTIONS & PLACE DECIMALS & DIM
2. PLACE DECIMALS IN ALL DIMENSIONS & .000
3. ALL DIMENSIONS UNLESS OTHERWISE SPECIFIED
4. ALL DIMENSIONS UNLESS OTHERWISE SPECIFIED
5. ALL DIMENSIONS UNLESS OTHERWISE SPECIFIED
6. ALL DIMENSIONS UNLESS OTHERWISE SPECIFIED
7. ALL DIMENSIONS UNLESS OTHERWISE SPECIFIED
8. ALL DIMENSIONS UNLESS OTHERWISE SPECIFIED



S-D
(SHEET 1 OF 2)

B21-3-9

REVISIONS	
NO.	DESCRIPTION
0	ER 50645 KH 16 MAR 89
1	CJ 31044 C JCA 8 AUG 89

S-D

SCALE	3:1
APPROVAL	WAS:E-15654
DESIGN	BOEING
SC PANEL JACK	
DATE	16 MAR 89
APPN	JY
DATE	29 MAR 89
KINGS	
B21-3-9	
(SHEET 1 OF 2)	

