

**PLEASE CHECK WWW.MOLEX.COM FOR LATEST PART INFORMATION**

**Part Number:** [0743209010](#)

**Status:** **Active**

**Description:** MicroCross™ DVI-I Digital/Analog Visual Interface, PCB Receptacle, Panel Mount, Through Hole, Right Angle, with Beveled Metal Pins, 0.76µm (30µ") Gold (Au), Lead Free, Screw Hole, 4-40 Thread, 29 Circuits

**Documents:**

[Drawing \(PDF\)](#)

[Product Specification PS-74320-001 \(PDF\)](#)

[Test Summary \(PDF\)](#)

[RoHS Certificate of Compliance \(PDF\)](#)

**Agency Certification**

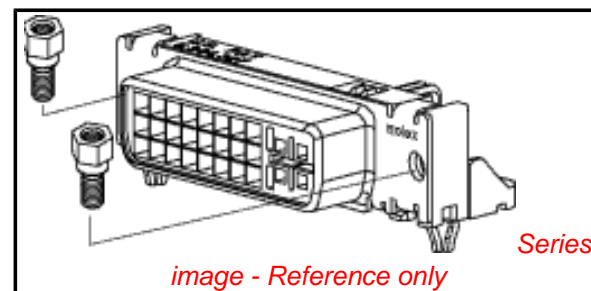
UL E29179

**General**

|                |   |
|----------------|---|
| Product Family | I/O Connectors                                |
| Series         | <a href="#">74320</a>                         |
| Application    | Wire-to-Board                                 |
| Comments       | DDWG (Digital Display Working Group) Standard |
| Component Type | Receptacle                                    |
| MolexKits      | Yes   |
| Product Name   | MicroCross™DVI                                |
| Type           | N/A   |

**Physical**

|                                |              |
|--------------------------------|--------------|
| Boot Color                     | N/A          |
| Circuits (Loaded)              | 24           |
| Circuits (maximum)             | 24           |
| Color - Resin                  | Natural      |
| Durability (mating cycles max) | 100          |
| Flammability                   | 94V-0        |
| Gender                         | Receptacle   |
| Keying to Mating Part          | Yes          |
| Lock to Mating Part            | Yes          |
| Material - Metal               | Copper Alloy |
| Material - Plating Mating      | Gold         |
| Material - Plating Termination | Tin          |
| Number of Rows                 | 3            |
| Orientation                    | Right Angle  |
| PC Tail Length (in)            | 0.092 In     |
| PC Tail Length (mm)            | 2.34 mm      |
| PCB Locator                    | Yes          |
| PCB Retention                  | Yes          |
| Packaging Type                 | Tray         |
| Panel Mount                    | Yes          |
| Pitch - Mating Interface (in)  | 0.075 In     |
| Pitch - Mating Interface (mm)  | 1.91 mm      |
| Pitch - Term. Interface (in)   | 0.075 In     |
| Pitch - Term. Interface (mm)   | 1.91 mm      |
| Plating min: Mating (µin)      | 30           |
| Plating min: Mating (µm)       | 0.76         |
| Plating min: Termination (µin) | 100          |
| Plating min: Termination (µm)  | 2.50         |
| Polarized to Mating Part       | Yes          |
| Polarized to PCB               | Yes          |
| Ports                          | 1            |
| Surface Mount Compatible (SMC) | No           |



**EU RoHS**

**ELV and RoHS  
Compliant**

**REACH SVHC**

Not Reviewed

**Halogen-Free**

**Status**

**Not Reviewed**

**Need more information on product  
environmental compliance?**

Email [productcompliance@molex.com](mailto:productcompliance@molex.com)  
For a multiple part number RoHS Certificate of  
Compliance, [click here](#)

Please visit the [Contact Us](#) section for any  
non-product compliance questions.

**China RoHS**



**Search Parts in this Series**

[74320Series](#)

**Mates With**

[88744](#) , [74323](#)

**Use With**

[71781](#) Panel Mount Hex Screw Kit

|                               |                |
|-------------------------------|----------------|
| Temperature Range - Operating | -20°C to +85°C |
| Termination Interface: Style  | Through Hole   |
| Waterproof / Dustproof        | No             |
| Wire Size AWG                 | N/A            |

### **Electrical**

|                               |              |
|-------------------------------|--------------|
| Current - Maximum per Contact | 3A           |
| Grounding to Panel            | Yes          |
| Shield Type                   | Full Shield  |
| Shielded                      | Yes          |
| Voltage - Maximum             | 40V AC (RMS) |

### **Material Info**

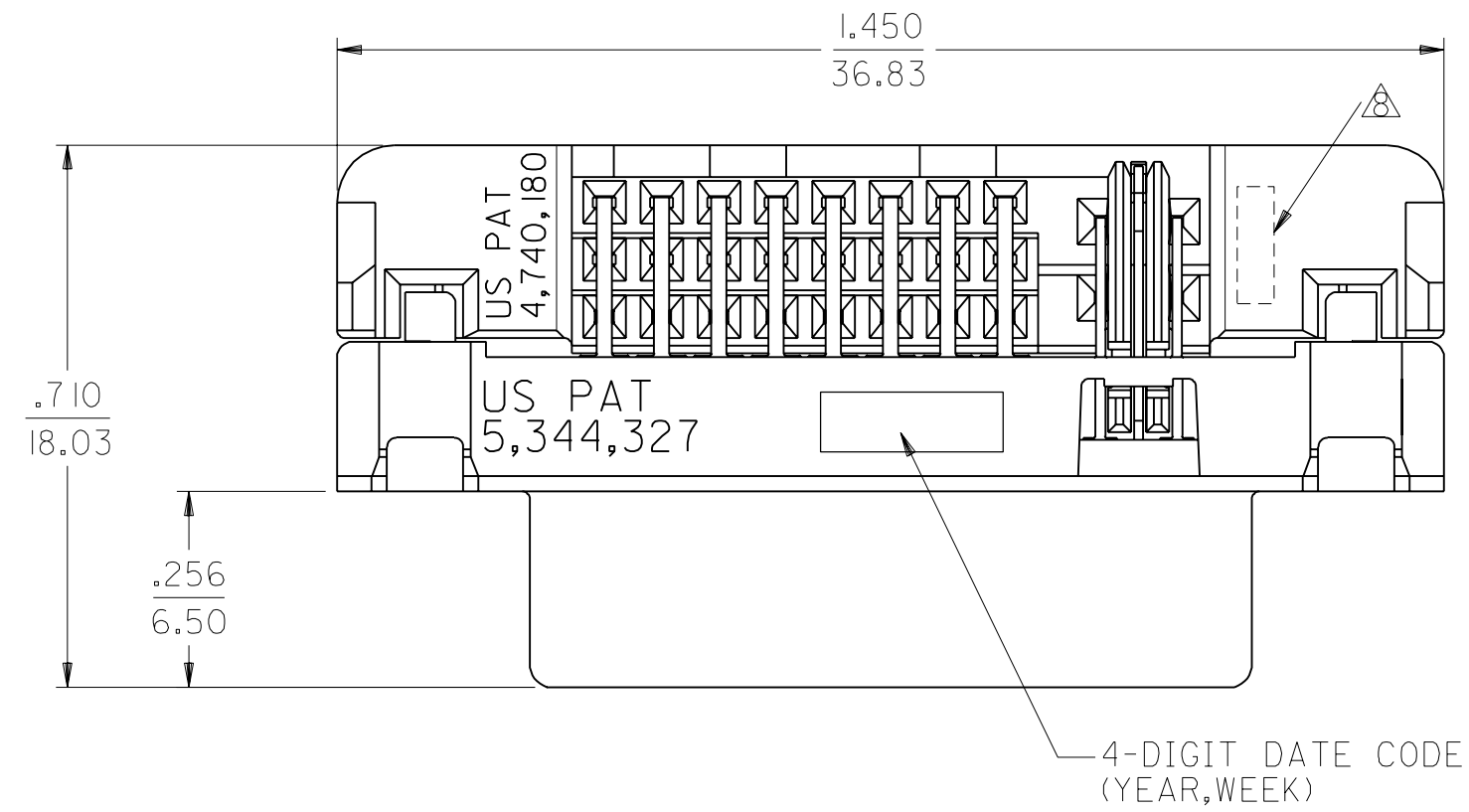
### **Reference - Drawing Numbers**

|                         |                            |
|-------------------------|----------------------------|
| Packaging Specification | PK-74320-005, PK-74320-010 |
| Product Specification   | PS-74320-001               |
| Sales Drawing           | SD-74320-026               |
| Test Summary            | TS-74320-001               |

This document was generated on 06/07/2010

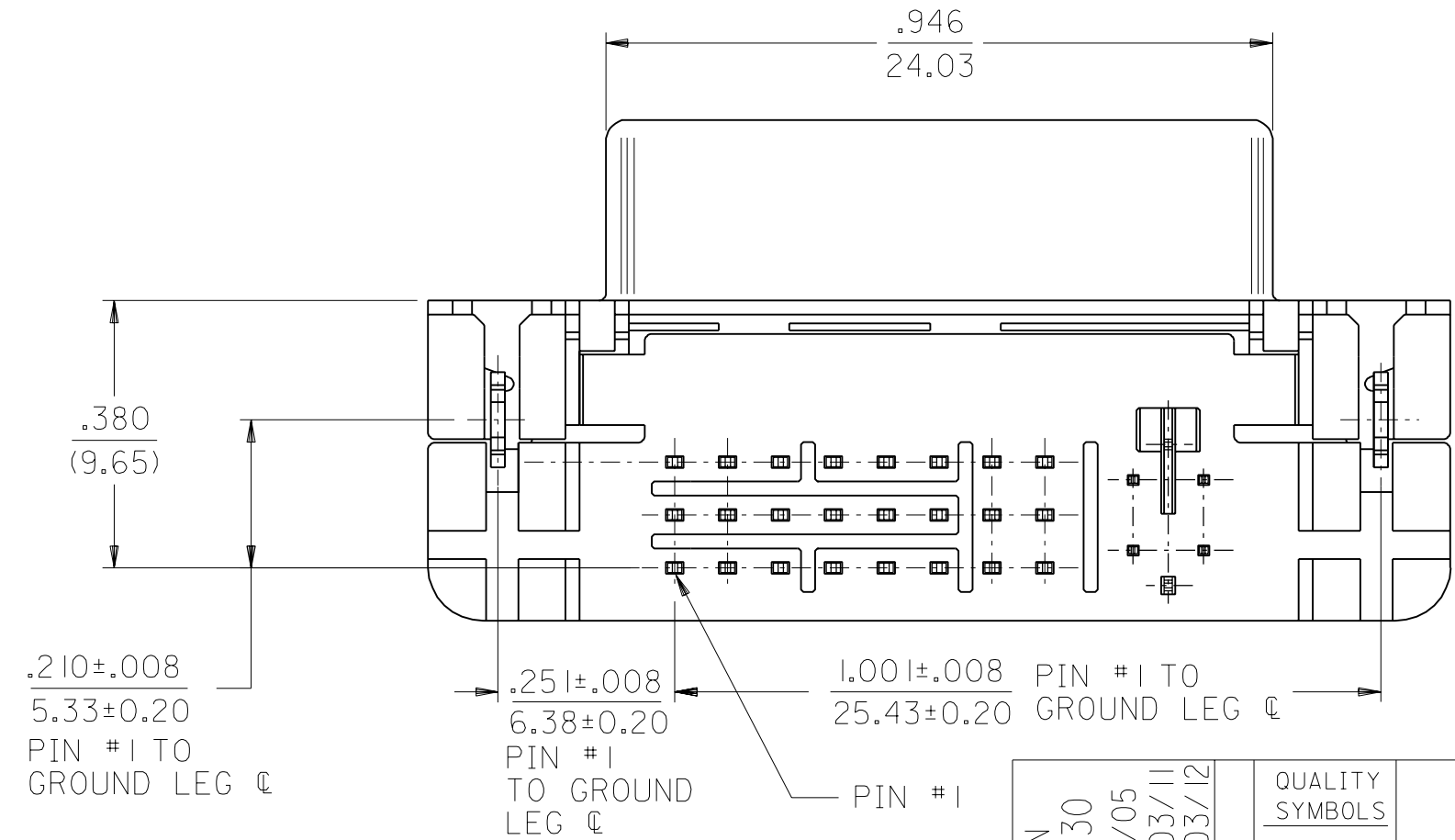
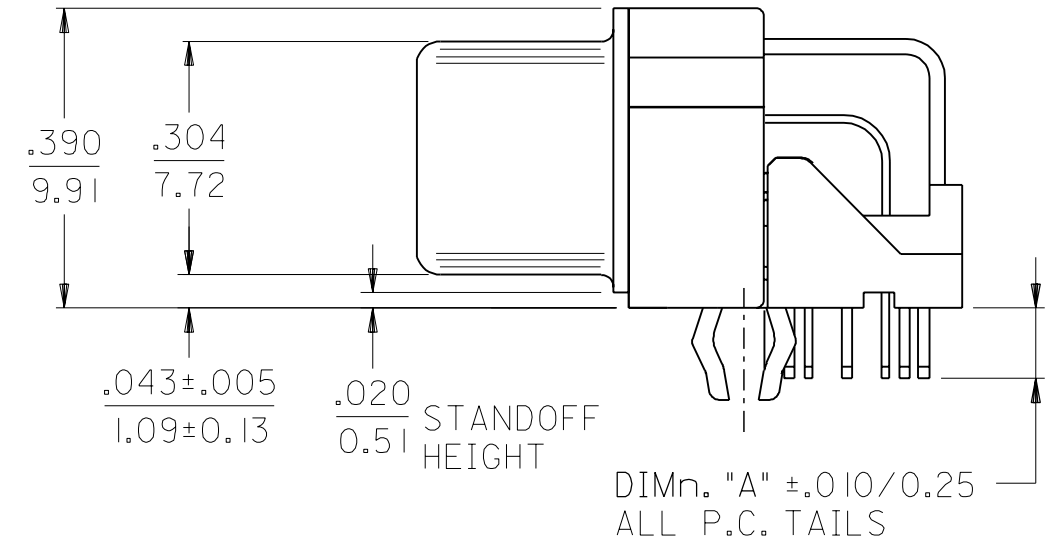
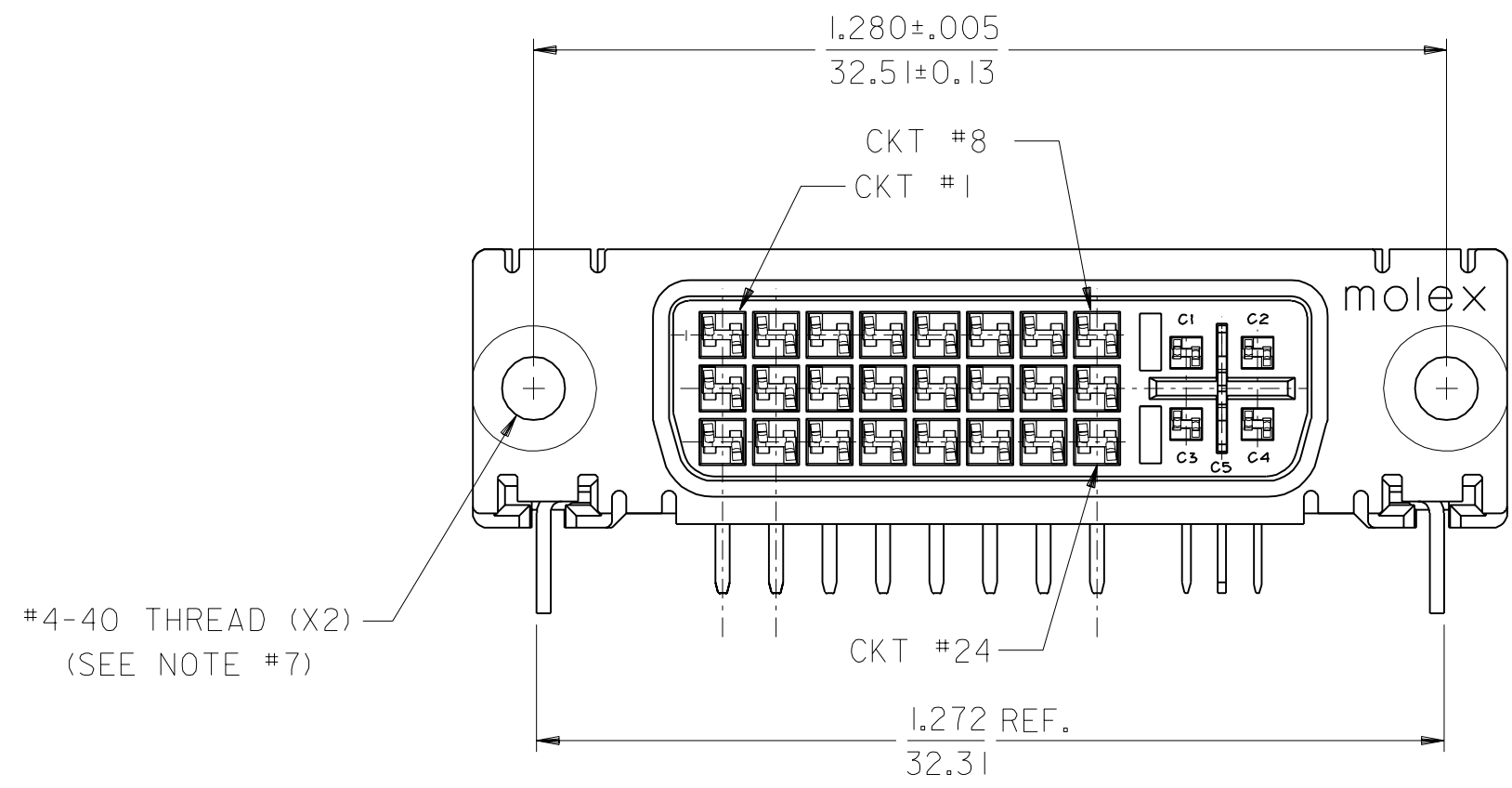
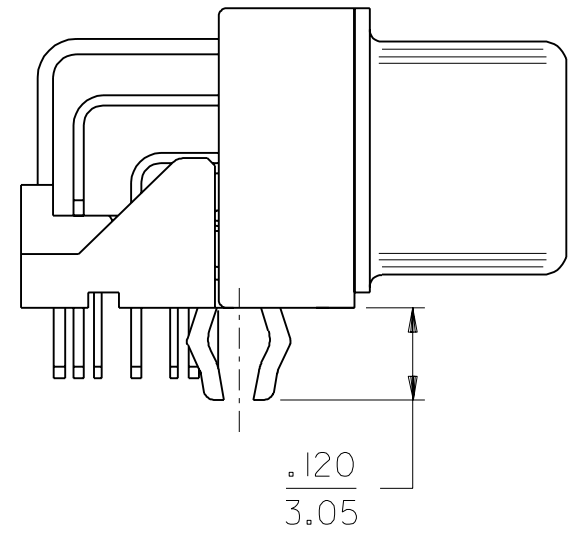
**PLEASE CHECK [WWW.MOLEX.COM](http://WWW.MOLEX.COM) FOR LATEST PART INFORMATION**

| PART NUMBER | DIM "A"   | PLATING OPTION |
|-------------|-----------|----------------|
| 74320-9010  | .092/2.34 | 1              |
| 74320-9014  |           | 2              |



NOTES:

- MATERIALS:  
SHIELD -- DEEP DRAW STEEL.  
HOUSING -- GLASS FILLED POLYMER, WHITE/NATURAL, UL 94v-0.  
TAIL ALIGNER -- GLASS FILLED POLYMER, WHITE/NATURAL, UL 94v-0.  
CONTACTS -- COPPER ALLOY.  
MICROCROSS GROUND -- COPPER ALLOY.
  - PLATING: SEE SHEET 2
  - PRODUCT CONFORMS TO MOLEX PRODUCT SPECIFICATION NUMBER PS-74320-001.
  - SEE SHEET 2 FOR RECOMMENDED PANEL CUT-OUT AND P.C.B. LAYOUT.
  - PARTS WILL BE PACKAGED IN TRAYS PER PK-74320-010.
  - PRODUCT CONFORMS TO DDWG DVI SPECIFICATION. REFER TO THIS SPECIFICATION FOR CONNECTOR MATING DIMENSIONS.
  - RECOMMENDED MOUNTING HARDWARE IS MOLEX P/N 71781-0001 OR 82007-0300 OR 88780-6066. REFER TO PRODUCT SPECIFICATION NUMBER PS-74320-001 FOR THE APPLICATION TORQUE REQUIREMENT FOR ASSEMBLING MOUNTING HARDWARE.
- ⚠ CAVITY NO. AND MANUFACTURING PLANT CODE.



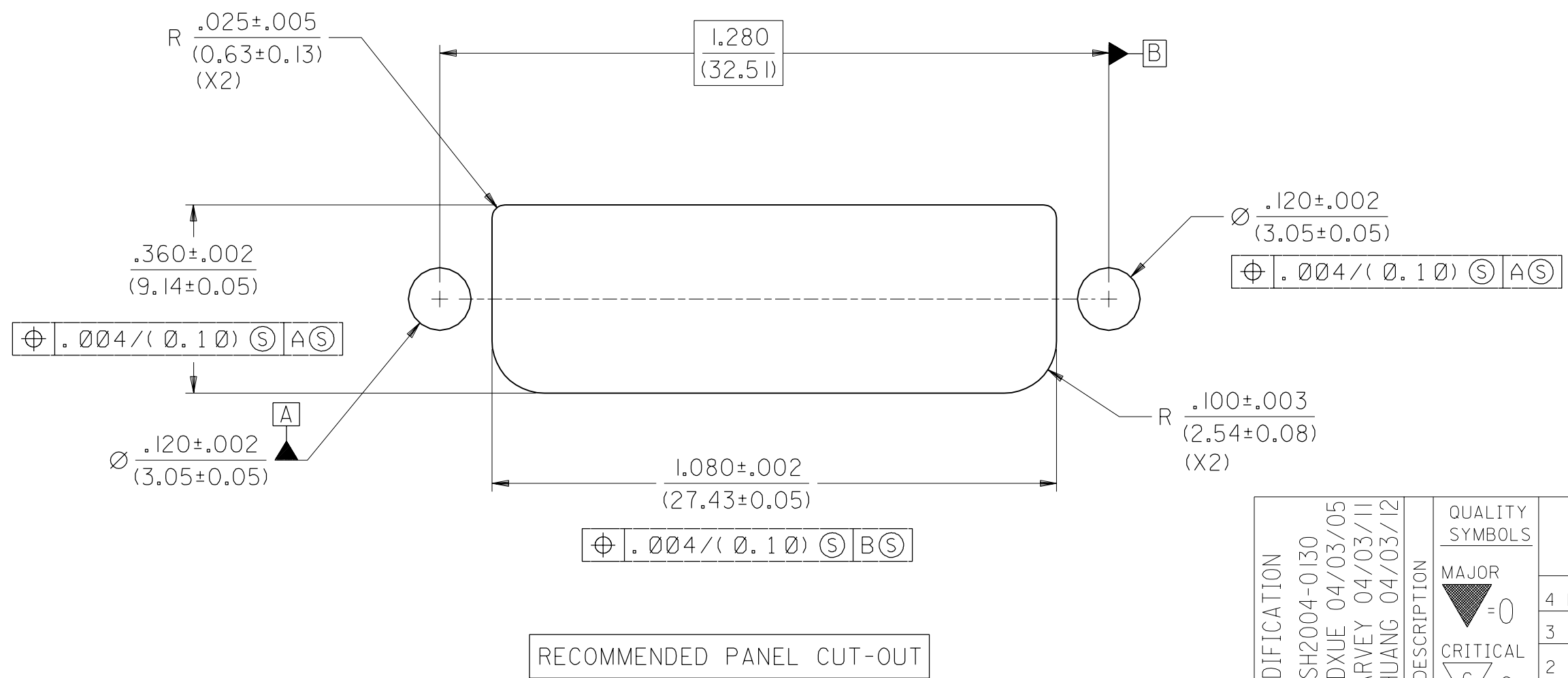
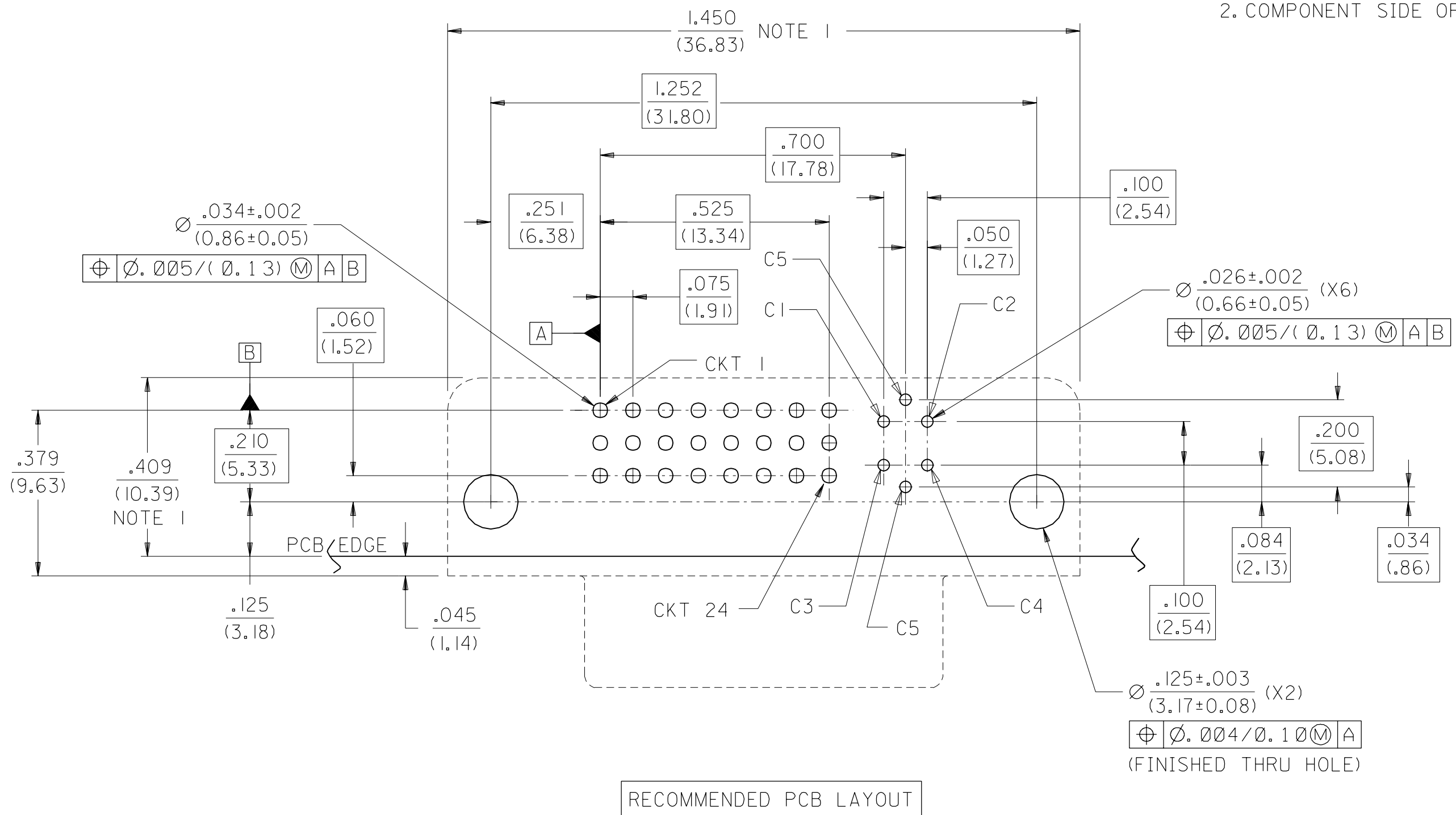
| MODIFICATION          | DESCRIPTION | QUALITY SYMBOLS |
|-----------------------|-------------|-----------------|
| EC No. SH2004-0130    |             | MAJOR = 0       |
| DRWN: DXUE 04/03/05   |             | CRITICAL = 0    |
| CHK: HARVEY 04/03/11  |             |                 |
| APPR: SHUANG 04/03/12 |             |                 |
| REV                   | DESCRIPTION |                 |
| C                     |             |                 |

| GENERAL TOLERANCES: (UNLESS SPECIFIED)               |       |
|--|-------|
| 4 PLACES   | ±0.05 |
| 3 PLACES   | ±0.10 |
| 2 PLACES   | ±0.25 |
| 1 PLACE  | ±0.50 |
| ANGULAR: ± 1/2°                                      |       |
| DRAFT WHERE APPLICABLE MUST REMAIN WITHIN DIMENSIONS |       |

|  |  |
|--|--|
| SCALE 4 : 1                            | DESIGN UNITS<br><input type="checkbox"/> mm <input checked="" type="checkbox"/> INCH |
| DRAWN BY & DATE<br>TMCCLELL 99/11/16   |  |
| CHECKED BY & DATE<br>SCHMIDGA 99/11/16 |  |
| APPROVED BY & DATE<br>NELSON 99/11/16  |  |
| CAD FILENAME<br>SD74320026.S01         | MATERIAL NO.<br>SEE CHART  |

|  |                             |                     |           |
|--|-----------------------------|---------------------|-----------|
| DIMENSIONS:<br><input type="checkbox"/> mm <input checked="" type="checkbox"/> INCH <input type="checkbox"/> mm ONLY           |                             | SHT                 | REV       |
| THIRD ANGLE PROJECTION   |                             | REVISE ON CAD ONLY  |           |
| TITLE:<br>DVI - I<br>RIGHT ANGLE RECEPTACLE<br>CONNECTOR W/FORKLOCK  |                             |                     |           |
| MOLEX INCORPORATED   |                             |                     |           |
| CAD FILENAME<br>SD74320026.S01   | DRAWING NO.<br>SD-74320-026 | SHEET NO.<br>1 OF 2 |           |
| THIS DRAWING CONTAINS INFORMATION THAT IS PROPRIETARY TO MOLEX INCORPORATED AND SHOULD NOT BE USED WITHOUT WRITTEN PERMISSION. |                             |                     | SIZE<br>C |

NOTES:  
 1. THESE DIMENSIONS REPRESENT CONNECTOR OVERLAY ON PCB.  
 2. COMPONENT SIDE OF PCB SHOWN.



**PLATING OPTIONS:**  
**PLATING OPTION #1:**  
 OUTER SHIELD -- 150u"/(3.75um) MIN. BRIGHT TIN OVER 50u"/(1.27um) MIN. NICKEL OVER COPPER FLASH  
 .075"/(1.91mm) CONTACTS -- 30u"/(0.75um) MIN. SELECT GOLD AND 100u"/(2.50um) MIN. SELECT PURE TIN OVER 50u"/(1.27um) MIN. NICKEL OVERALL.  
**PLATING OPTION #2:**  
 OUTER SHIELD -- 150u"/(3.75um) MIN. BRIGHT TIN OVER 50u"/(1.27um) MIN. NICKEL OVER COPPER FLASH  
 .075"/(1.91mm) CONTACTS -- SELECT GOLD FLASH AND 100u"/(2.50um) MIN. SELECT PURE TIN OVER 50u"/(1.27um) MIN. NICKEL OVERALL.

NOTE:  
 1. PANEL THICKNESS: .030" - .040".

| MODIFICATION         | DESCRIPTION           | QUALITY SYMBOLS |
|----------------------|-----------------------|-----------------|
| EC NO. SH2004-0130   | DRWN: DXUE 04/03/05   | MAJOR = 0       |
| CHK: HARVEY 04/03/11 | APPR: SHUANG 04/03/12 | CRITICAL = 0    |
| C                    | REV                   |                 |

| GENERAL TOLERANCES: (UNLESS SPECIFIED)               |       |
|--|-------|
| 4 PLACES   | ±0.   |
| 3 PLACES   | ±0.10 |
| 2 PLACES   | ±0.25 |
| 1 PLACE  | ±0.10 |
| ANGULAR: ± 1/2°                                      |       |
| DRAFT WHERE APPLICABLE MUST REMAIN WITHIN DIMENSIONS |       |

|                                     |                      |
|-------------------------------------|----------------------|
| SCALE 4 : 1                         | DESIGN UNITS mm INCH |
| DRAWN BY & DATE TMCCLELL 99/11/16   |                      |
| CHECKED BY & DATE SCHMIDGA 99/11/16 |                      |
| APPROVED BY & DATE NELSON 99/11/16  |                      |
| CAD FILENAME SD74320026.S02         |                      |

|  |                          |             |        |
|--|--------------------------|-------------|--------|
| DIMENSIONS: mm INCH  |                          | SHT         | REV    |
| TITLE: DVI - I RIGHT ANGLE W/FORKLOCK RECEPTACLE CONNECTOR   |                          |             |        |
| MOLEX INCORPORATED   |                          |             |        |
| MATERIAL NO. SEE CHART   | DRAWING NO. SD-74320-026 | SHEET NO. 2 |        |
| THIS DRAWING CONTAINS INFORMATION THAT IS PROPRIETARY TO MOLEX INCORPORATED AND SHOULD NOT BE USED WITHOUT WRITTEN PERMISSION. |                          |             | SIZE C |