



TAI-SAW TECHNOLOGY CO., LTD.

No. 3, Industrial 2nd Rd., Ping-Chen Industrial District,
Taoyuan, 324, Taiwan, R.O.C.

TEL: 886-3-4690038 FAX: 886-3-4697532

E-mail: tstsales@mail.taisaw.com Web: www.taisaw.com

Approval Sheet For Product Specification

Issued Date:

Product Name: SAW Resonator 316.2 MHz SMD 5.0X3.5 mm

TST Parts No.: TC0465A

Customer Parts No.: _____

Company: _____
Division: _____
Approved by : _____
Date: _____

Checked by: Paul Ni *Paul*

Approval by: Francis Chen *Francis Chen*

Date: 2008/7/31



TAI-SAW TECHNOLOGY CO., LTD.

No. 3, Industrial 2nd Rd., Ping-Chen Industrial District,
Taoyuan, 324, Taiwan, R.O.C.

TEL: 886-3-4690038 FAX: 886-3-4697532

E-mail: tstsales@mail.taisaw.com Web: www.taisaw.com

SAW Resonator 316.2 MHz

MODEL NO.: TC0465A

REV. NO.: 1.0

A. FEATURES:

- 1-Port Resonator.

B. MAXIMUM RATING:

1. Input Power Level: 10 dBm
2. DC voltage: 5 V
3. Operating Temperature: -40°C to +85°C
4. Storage Temperature: -40°C to +85°C

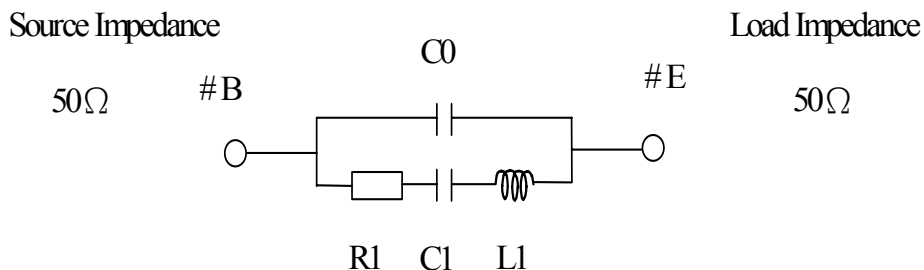
C. ELECTRICAL CHARACTERISTICS:

Characteristic	Units	Minimum	Typical	Maximum
Center frequency Fr	MHz	316.125	316.200	316.275
Insertion Loss IL	dB	-	1.2	2.0
Equivalent Elements				
Motional capacitance C1	fF	-	2.58	-
Motional inductance L1	μH	-	98.28	-
Motional resistance R1	Ohm	-	12.23	-
Parallel capacitance Co	pF	-	4.07	-
Temp.coeff.	ppm/c*2	-	0.032	-
Turnover To	deg.C	-	25	-
Package size		SMD 5.0X3.5X1.4mm		

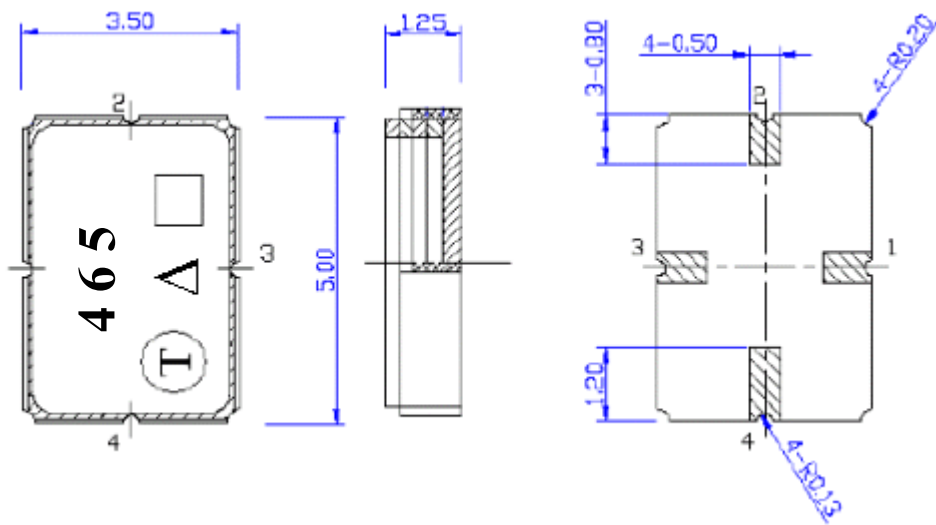
RoHS Compliant
Lead free
Lead-free soldering

D. EQUIVIRENT CIRCUIT:

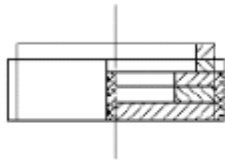
One-Port Resonator:



E. OUTLINE DRAWING:



Pin 1 : Input
Pin 3 : Output
Pin 2,4 : Ground



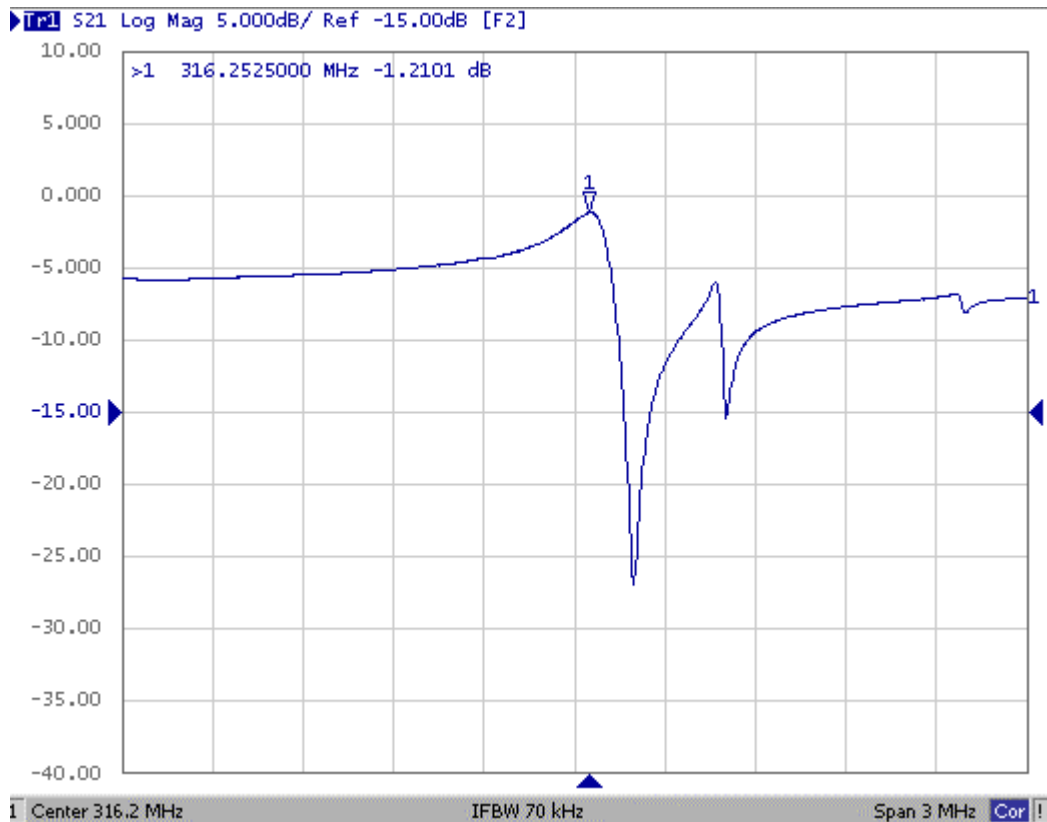
Year	2005 2007	2006 2008
Year Code	C	c

Δ : Year Code

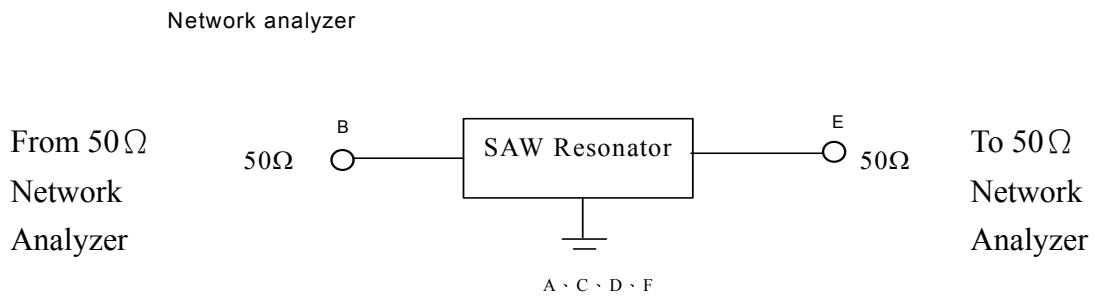
\square : Data Code (Follow provided by planer each year) the table

WK	01	02	...	26	27	28	...	52
Code	A	B	...	Z	a	b	...	z

F. FREQUENCY CHARACTERISTICS

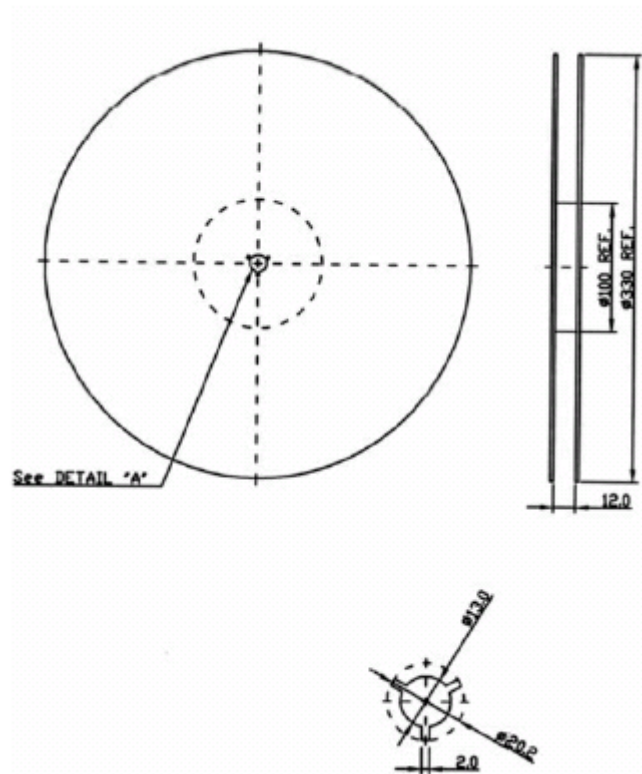


G. TEST CIRCUIT:

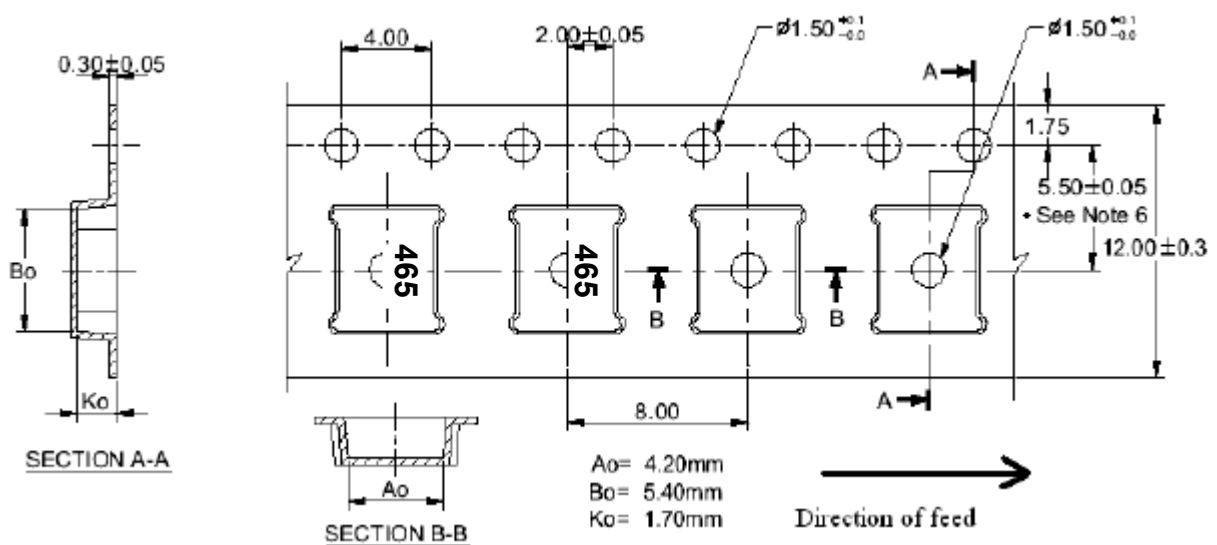


H. PACKING:

1. REEL DIMENSION



2. TAPE DIMENSION



I. RECOMMENDED REFLOW PROFILE:

