

10BASE-T NETWORK COMPONENTS

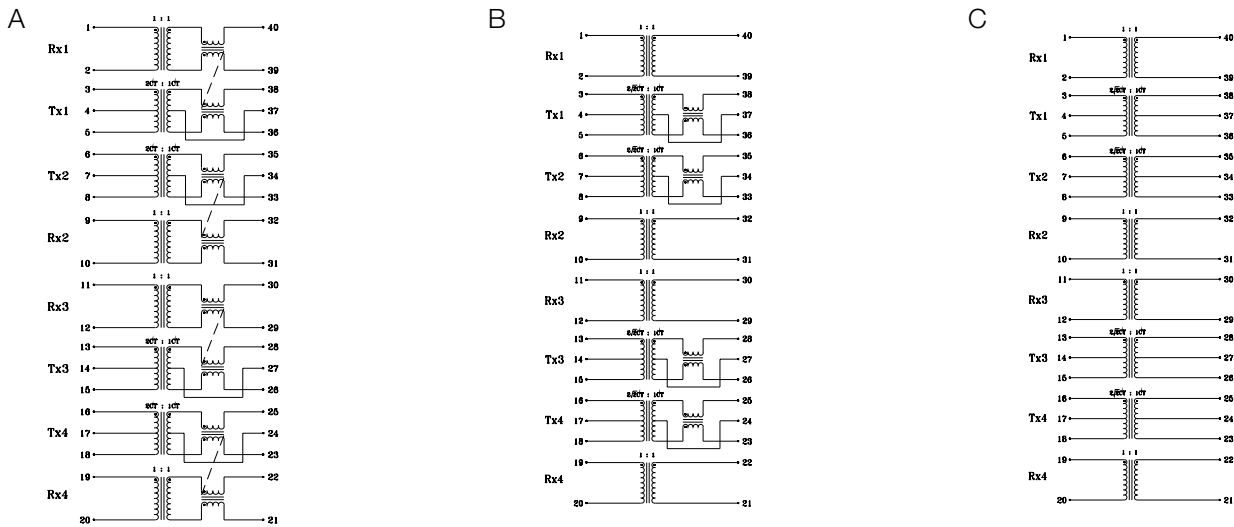
960073A

- Designed for use with Seeq 84C24 and 8425 10Base-T PHY transceivers
- Quad, 4-port designs for maximum space, performance and cost efficiency
- Family of part types with same footprint and pinout to customize EMI suppression requirements
- Low profile surface mount packaging, IR reflow rating of 225°C peak temperature
- 2000 Vrms isolation

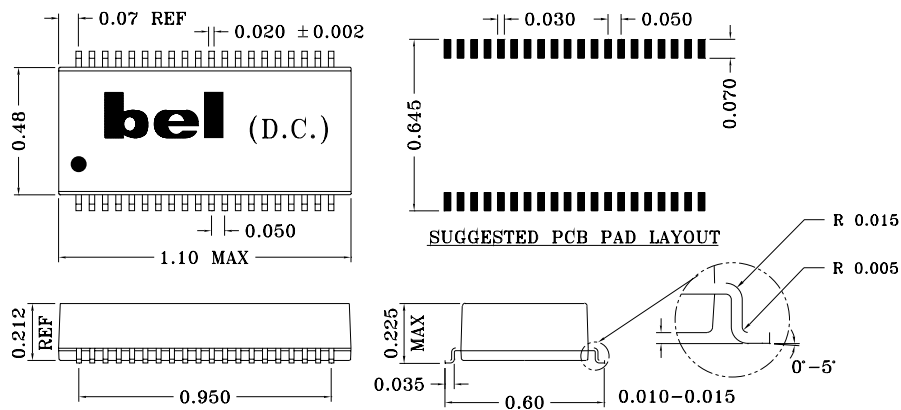
ELECTRICALS AT 25°C

Part No.	Insertion Loss	OCL	Return Loss	Crosstalk	CM-CM Rej		Schematic
	(dB) Max 1-10MHz	Inductance (μH) Min	(dB) Min 1MHz-10MHz	(dB) Min 1MHz-10MHz	10-30MHz	100MHz	
S553-5841-02	-1.0	100	-18	-40	-40	-30	A
S553-5841-20	-1.0	100	-18	-40	-40	-30	B
S553-5841-21	-1.0	100	-18	-40	--	--	C

SCHEMATICS



MECHANICAL



Specifications subject to change without notice.

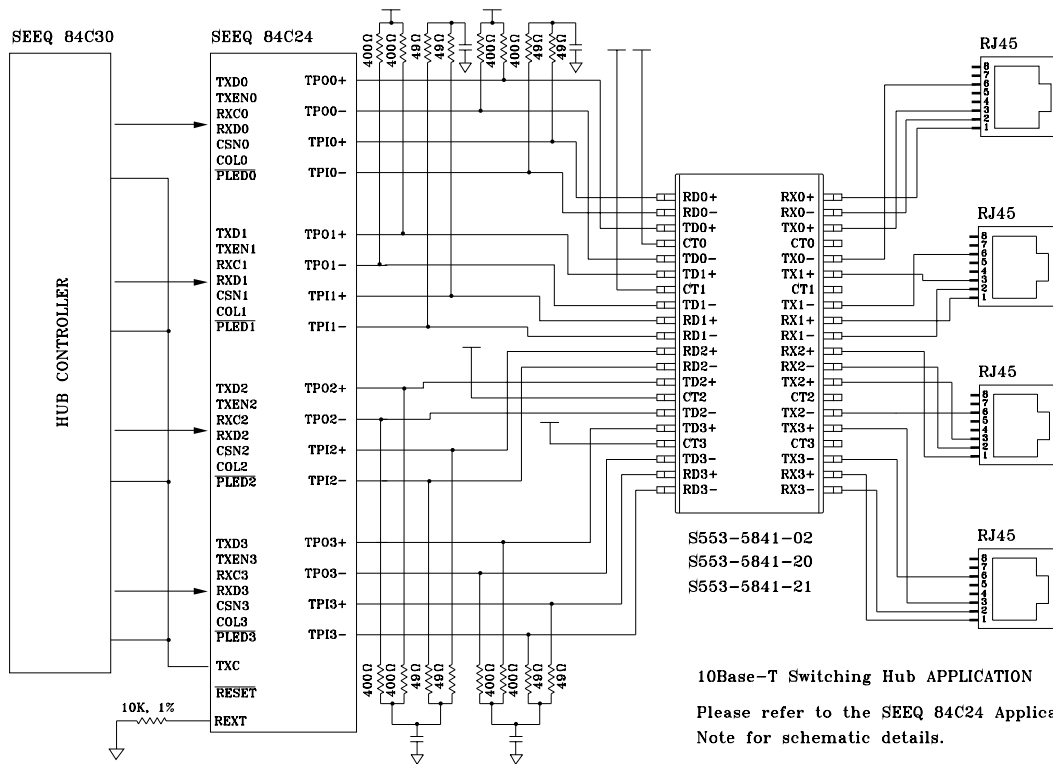


defining a degree of excellence

10BASE-T NETWORK COMPONENTS

960073A

APPLICATION CIRCUIT



APPLICATION NOTES

- Bel has developed a variety of quad, 4-port part types for use with Seeq quad, 4-port PHY devices that incorporate digital filtering techniques within the silicon itself. Bel's "filterless magnetics" are optimized for this specific application and create a very cost efficient design solution. Each Bel part type contains 4 channels of transmit and receive transformers to provide for wave shaping, high voltage isolation and EMI noise suppression.
- Bel has designed these parts as a family of parts with common footprint and pinouts to enable the designer to customize the use of common mode choke for optimum system performance.
- In multi-port system applications, good PCB layout and proper grounding techniques are very critical to achieve FCC class A and B equipment approvals. Bel recommendations are available and can be provided by contacting our engineering department or your local sales representative.
- Bel's low profile, surface mount packaging is ideal for high speed pick and place machinery. Parts can be shipped on tape and reel for high speed placement. Construction processes have been implemented for thermal compatibility with high temperature IR reflow assembly processing. Post dipping of leads assist with PC board solderability. Each part is optically inspected to meet rigid coplanarity requirements.
- Optimized for use with stackable or "double decker" RJ-45 connectors in order to keep trace lengths short and straight.

Corporate Office

Bel Fuse Inc.
 198 Van Vorst Street, Jersey City, NJ 07302-4496
 Tel: 201-432-0463
 Fax: 201-432-9542
 E-Mail: BelFuse@belfuse.com
 Internet: <http://www.belfuse.com>

Far East Office

Bel Fuse Ltd.
 8F/8 Luk Hop Street
 San Po Kong
 Kowloon, Hong Kong
 Tel: 852-2328-5515
 Fax: 852-2352-3706

European Office

Bel Fuse Europe Ltd.
 Preston Technology Management Centre
 Marsh Lane, Preston PR1 8UD
 Lancashire, U.K.
 Tel: 44-1772-556601
 Fax: 44-1772-888366