

Panel Mount Power Supply

12V 100W 1 Phase

PMC-12V100W1AA



PMC-12V100W1AA

100Watts

Total Power: 100Watts
 Input Voltage: 85-264Vac
 # of Output: Single

Model number PMC-12V100W1AA

Reference no. EOE11010187

OUTPUT (DC)

Output power	100W
Output voltage range	11-14V
Output current	8.33A (100W max.)
PARD (20MHz)	< 100mVpp (@ nominal values)
Start-up time	< 1000ms @ 100% load (25°C) and typical line input
Hold-up time	> 15ms @ 115Vac, > 80ms @ 230Vac with 100W load (25°C)
Rise time	< 30ms @ 100% load (25°C)
Line regulation	< 0.5% typical (@ 85 - 264Vac input, 100% load)
Load regulation	< 1% typical (@ 85 - 264Vac input, 0 to 100% load)

INPUT (AC)

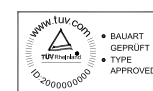
Input voltage range	85 - 264Vac
Input frequency	47 - 63Hz
Max. input current	3.0A max. (2.0 max. @ 115Vac, 1.1A max. @ 230Vac)
Inrush current limitation I ² t (+25°C) typ.	< 60A @ 115Vac & 130A @ 230Vac
Efficiency	> 84% @ 115Vac & > 86% @ 230Vac
Leakage current	< 1mA @ 240Vac

MECHANICAL DESIGN

Case cover	Aluminium (AL1100)
Dimensions (L x W x H)	158mm x 97mm x 38mm
Unit weight / box	0.450kg
MTBF	> 700,000 hrs
Noise	Sound pressure level (SPL) < 40dBA
Cooling	Convection
Input / output terminal	Terminal block 7 pin rated 300V/20A
Input / output wire	AWG22-14
Shock proof	IEC60068-2-27
Vibration	IEC60068-2-6

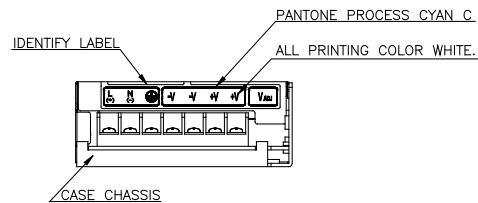
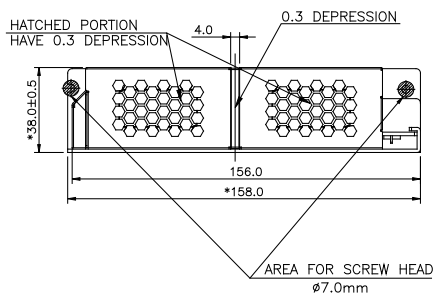
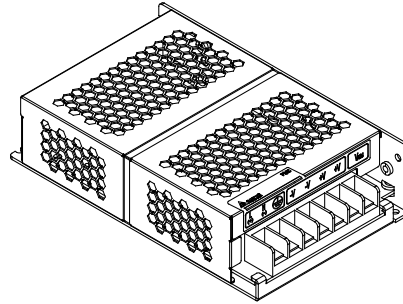
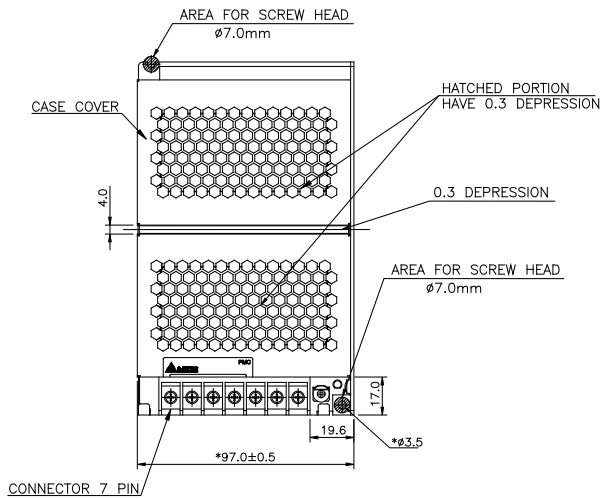
Special Features

- Full aluminum casing for lightweight and corrosion resistant handling
- Universal AC input
- Overload protection
- Thermal protection
- MTBF: > 700,000 hrs.
- Efficiency > 84%
- Expected life time: 10 years
- 2 years warranty
- RoHS compliant



Panel Mount Power Supply 12V 100W 1 Phase PMC-12V100W1AA

MECHANICAL DRAWING



Delta Electronics (Thailand)
Public Company Limited
909 Moo 4, E.P.Z.,
Bangpoo Industrial Estate,
Tambon Prakasa, Amphur
Muang Samutprakarn,
Samutprakarn 10280, Thailand
Tel: +662 709 2800
Fax: +662 709 2827
E-mail: VL@delta.co.th
www.deltaenergysystems.com

SAFETY / ENVIRONMENTAL

EMC / Emissions	FCC Title 47, Class B/EN55022;CISPR22, Class B
Immunity	EN 61000-4-2, 1995; EN61000-4-3, 1998; EN61000-4-4, 1995; IEC61000-4-5, 1995; EN61000-4-6, 1996; EN61000-4-8 or IEC61000-4-12 or IEEE C62.41; EN61000-3-2, 1994
Safety standard	UR/cUR recognized to UL60950-1 and CSA C22.2 No.60950-1; CB test certificate and report to IEC60950-1; CE (EMC and low voltage directive), TUV
Voltage dips	Conform to EN61000-4-11
Galvanic isolation	Input to output: 3KVac; Input to ground: 1.5KVac; Output to ground: 0.5KVac
Operating temperature	-10°C to +70°C *
Storage temperature	-25°C to +85°C
Operating humidity	< 95% RH non-condensing
Note (*)	* Operation to 70°C possible with a linear derating to half power from 50°C to 70°C