

## FEATURES

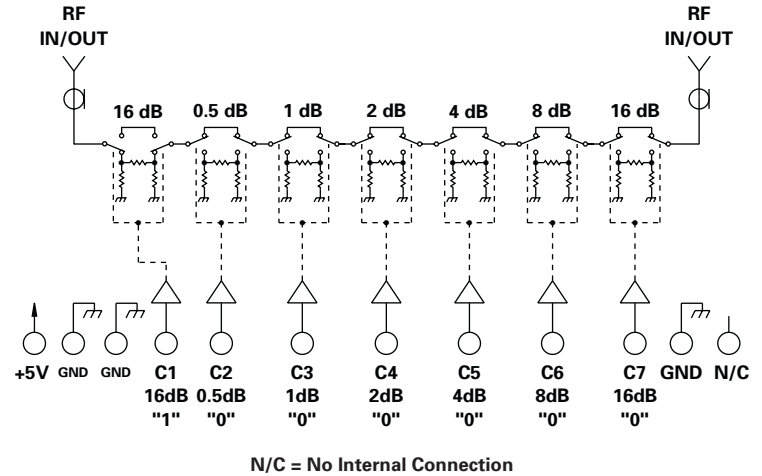
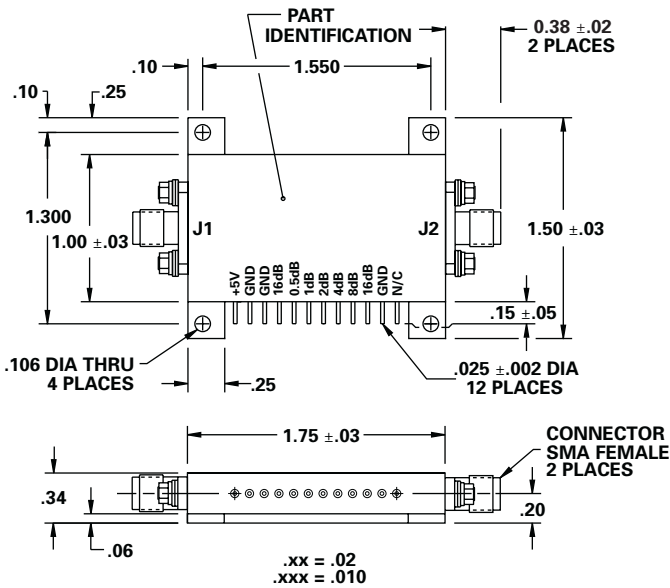
- 2200 - 2800 MHz
- 0.5 dB LSB, 47.5 dB Range
- 3.2 dB Insertion Loss
- TTL Control
- Replaceable SMA Connectors

7 BIT



MODEL NO.  
DAT76191

## PIN Diode 7 Section Attenuator



## GUARANTEED PERFORMANCE

Parameter	Min	Typ	Max	Units	Conditions	
Operating Frequency	2200		2800	MHz		
DC Current		96	120	mA	At +5 VDC Supply	
Control Type			TTL		7 Line Logic "0" = Thru Logic "1" = Attenuation	
Control Current	High			$\mu$ A	$V_{IH} = +2.7$ V	
	Low			$\mu$ A	$V_{IL} = +0.5$ V	
Insertion Loss			3.6	4.0	dB	at 25° C Worst Case
Attenuation	LSB	0	0.5	47.5	dB	0.5, 1, 2, 4, 8, 16, 16
	Range			$\pm 0.5$	dB	1 to 15.5 dB Attenuation
	Accuracy			$\pm 1.0$	dB	16 to 31.5 dB Attenuation
	Flatness			$\pm 1.5$	dB	32 to 47.5 dB Attenuation
				$\pm 0.25$	dB	0.5 to 15.0 dB
				$\pm 0.4$	dB	15.5 to 30.5 dB
				$\pm 0.6$	dB	31.0 to 47.5 dB
VSWR				1.6/1		
Impedance		50		OHMS		
Switching Speed		65	100	nSec	50% TTL to 90% / 10% RF	
Transition (Rise/Fall) Time		40		nSec	90% / 10% or 10% / 90% RF	
Switching (Video) Transients		450		mV	Peak Value	
Intercept Points	3rd	+45		dBm	At Insertion Loss State	
RF Power	Operate		+20	dBm	0.1 dB Compression	
	No Damage		+25	dBm		
Operating Temperature	0	+25	+75	°C	TA	

