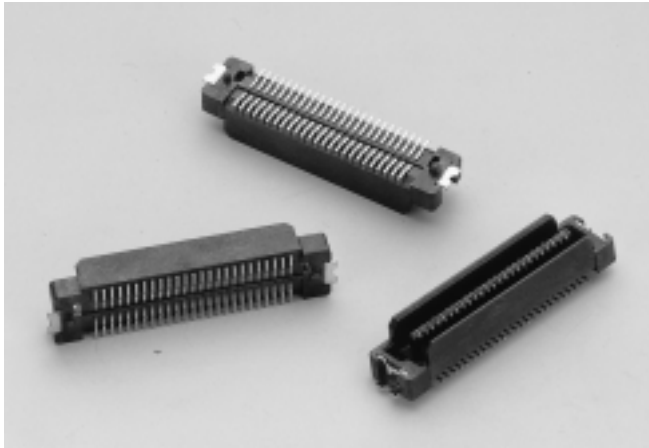


0.8 mm PITCH SURFACE MOUNT PLUG TYPE (PLASTIC HEIGHT:4.6mm)

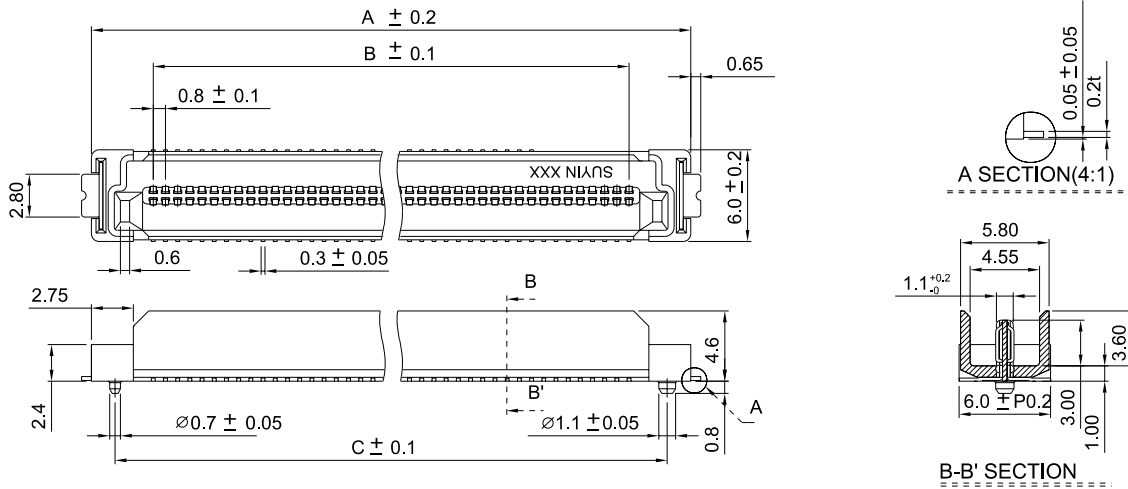


800130MA Series

Mates with SUYIN 80016 □ FA Series

Specifications:

- 10~200 Circuits
- Insulator Material : Black High Temp. Plastic
- Max Processing Temp : 230°C for 30 Seconds
- Terminal Material : Phosphor Bronze
- Plating : Selective Plated (Gold/Tin)
Latch - Tin Plated
- Max. Current Rating : 0.5 A
- Voltage Rating : 100V AC
- Dielectric Strength : 500V (Min. 60 seconds)



Order Information

800130MA□□□□00Z□
1 2 3 4 5

1. 'A' : Straight SMT Type
2. No. of Pins
3. Plating
4. Color 'Z' : Black
5. Package

'U' : Tube Package Without CAP

'R' : Reel Package With CAP

'T' : Tube Package With CAP

Reference Page 11

Dimensional Information

SUYIN P/NO.	DIM.A	DIM.B	DIM.C	DIM.D
800130MA010□□00Z□	11.3	3.2	8.2	8.8
800130MA020□□00Z□	15.3	7.2	12.2	12.8
800130MA030□□00Z□	19.3	11.2	16.2	16.8
800130MA040□□00Z□	23.3	15.2	20.2	20.8
800130MA060□□00Z□	31.3	23.2	28.2	28.8
800130MA070□□00Z□	35.3	27.2	32.2	32.8
800130MA080□□00Z□	39.3	31.2	36.2	36.8
800130MA100□□00Z□	47.3	39.2	44.2	44.8
800130MA120□□00Z□	55.3	47.2	52.2	52.8
800130MA140□□00Z□	63.3	55.2	60.2	60.8
800130MA160□□00Z□	71.3	63.2	68.2	68.8
800130MA180□□00Z□	79.3	71.2	76.2	76.8
800130MA200□□00Z□	87.3	79.2	84.2	84.8

Recommended P.C.B. Layout

