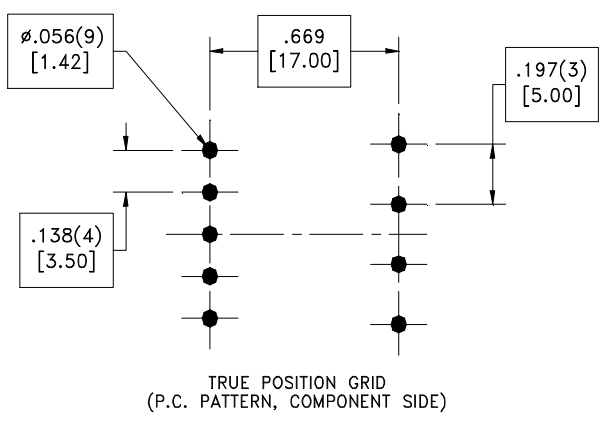
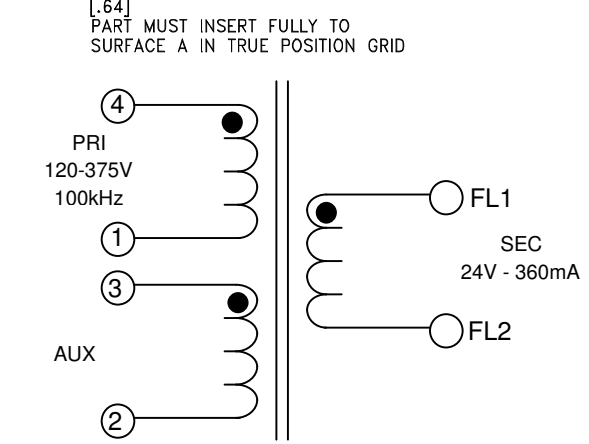
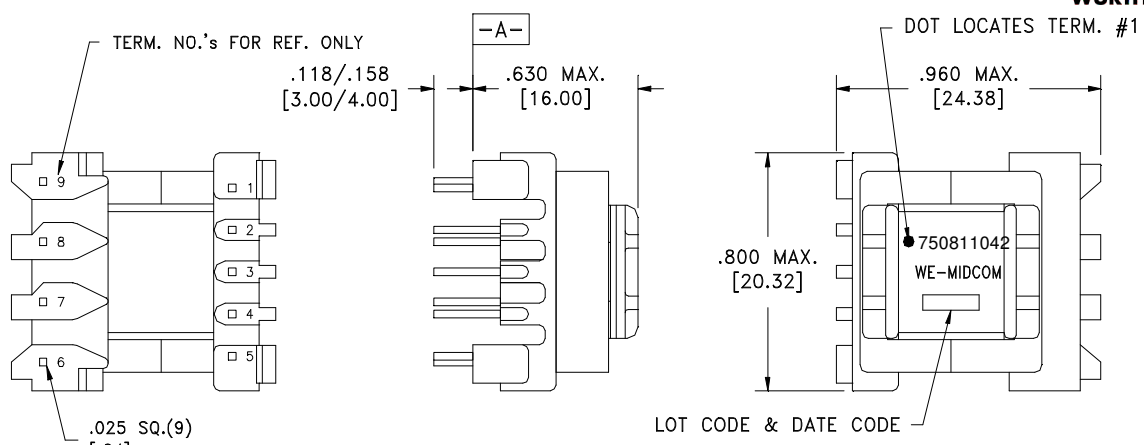


CUSTOMER TERMINAL	RoHS	LEAD(Pb)-FREE
Sn96%, Ag4%	Yes	Yes



ELECTRICAL SPECIFICATIONS @ 25°C unless otherwise noted:

D.C. RESISTANCE (@20°C):	1-4 , 1.60 Ohms ±10%. 2-3 , 0.195 Ohms ±10%. 7-8 , 0.097 Ohms ±10%.
DIELECTRIC RATING:	4500VAC, 1 minute tested by applying 4500VAC for 1 second between pins 1-8(tie 1+2). 500VAC, 1 minute tested by applying 625VAC for 1 second between pins 1-2.
INDUCTANCE:	1.80 mH ±10%, 10kHz, 100mVAC, 0mADC, 1-4, Ls.
SATURATION CURRENT:	400mA saturating current that causes 20% rolloff from initial inductance.
LEAKAGE INDUCTANCE:	12µH typ., 18µH max., 100kHz, 100mVAC, 1-4(tie 2+3, 7+8), Ls.
URNS RATIO:	(4-1):(3-2), (8.076):(1), ±1%. (4-1):(7-8), (5.25):(1), ±1%.

Designed to comply with the following requirements as defined by IEC61558-2-17:
- Reinforced insulation for a primary circuit at a working voltage of 400VDC.

OPERATING TEMPERATURE RANGE: -40°C to 125°C including temp. rise.

T_0_5280

WE-Midcom, Inc. Watertown, SD USA Toll Free: 800-643-2661 Fax: 605-886-4486	Unless otherwise specified, tolerances are as follows: Angles: ±1° Fractions: ±1/64 Decimals: ±.005 (.127mm)		WE-Midcom, Inc.	
	Drawing Title <h1>Transformer</h1>		Drawing Number <h2>750811042</h2>	Rev. 00
Revisions: See Sheet 1		Scale ----	Sheet 2 of 5	
Engineer:APS		04/13/2009		

This drawing is dual dimensioned.
Dimensions in brackets are in millimeters