

PLEASE CHECK WWW.MOLEX.COM FOR LATEST PART INFORMATION

Part Number: [0430451814](#)
Status: **Active**
Overview: [microfit_30](#)
Description: 3.00mm (.118") Pitch Micro-Fit 3.0™ Header, Surface Mount Compatible, Dual Row, Vertical, with PCB Polarizing Peg, 18 Circuits, 0.76µm (30µ") Gold (Au) Selective Plating, Glow Wire Compatible, with Kinked PC Tails, Glow Wire Compatible

Documents:

[3D Model](#) [Product Specification PS-43045 \(PDF\)](#)
[Drawing \(PDF\)](#) [RoHS Certificate of Compliance \(PDF\)](#)

Agency Certification

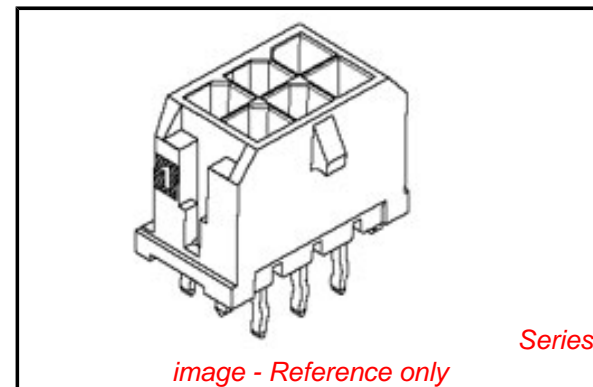
| | |
|-----|-----------|
| CSA | LR19980 |
| TUV | R72081037 |
| UL | E29179 |

General

| | |
|-----------------------------|---|
| Product Family | PCB Headers |
| Series | 43045 |
| Application | Wire-to-Board |
| Comments | Glow Wire Equivalent Part Number 430451814 . High Temperature, Square Pin, Offset Through Hole Mounting, Solder Type |
| Overview | microfit_30 |
| Product Literature Order No | USA-106 |
| Product Name | Micro-Fit 3.0™ |

Physical

| | |
|--------------------------------|--------------------------------|
| Breakaway | No |
| Circuits (Loaded) | 18 |
| Circuits (maximum) | 18 |
| Color - Resin | Black |
| Durability (mating cycles max) | 30 |
| Flammability | 94V-0 |
| Glow-Wire Compliant | Yes |
| Mated Height (in) | 0.680 In |
| Mated Height (mm) | 17.27 mm |
| Material - Metal | Brass |
| Material - Plating Mating | Gold |
| Material - Plating Termination | Tin |
| Material - Resin | High Temperature Thermoplastic |
| Number of Rows | 2 |
| Orientation | Vertical |
| PCB Locator | Yes |
| PCB Retention | Yes |
| PCB Thickness Recommended (in) | 0.062 In |
| PCB Thickness Recommended (mm) | 1.60 mm |
| Packaging Type | Tray |
| Pitch - Mating Interface (in) | 0.118 In |
| Pitch - Mating Interface (mm) | 3.00 mm |
| Plating min: Mating (µin) | 30 |
| Plating min: Mating (µm) | 0.75 |
| Plating min: Termination (µin) | 100 |
| Plating min: Termination (µm) | 2.5 |
| Polarized to PCB | Yes |
| Shrouded | Fully |



EU RoHS

ELV and RoHS Compliant
REACH SVHC Contains SVHC: No
Halogen-Free Status

China RoHS



Need more information on product environmental compliance?

Email productcompliance@molex.com
 For a multiple part number RoHS Certificate of Compliance, [click here](#)

Please visit the [Contact Us](#) section for any non-product compliance questions.

Search Parts in this Series

[43045Series](#)

Mates With

[43025](#)

| | |
|--------------------------------|---------------------------|
| Stackable | No |
| Surface Mount Compatible (SMC) | Yes |
| Temperature Range - Operating | -40°C to +105°C |
| Termination Interface: Style | Through Hole - Kinked Pin |

Electrical

| | |
|-------------------------------|------|
| Current - Maximum per Contact | 5A |
| Voltage - Maximum | 250V |

Solder Process Data

| | |
|--|------------------------------|
| Duration at Max. Process Temperature (seconds) | 30 |
| Lead-free Process Capability | SMC & Wave Capable (TH only) |
| Max. Cycles at Max. Process Temperature | 3 |
| Process Temperature max. C | 260 |

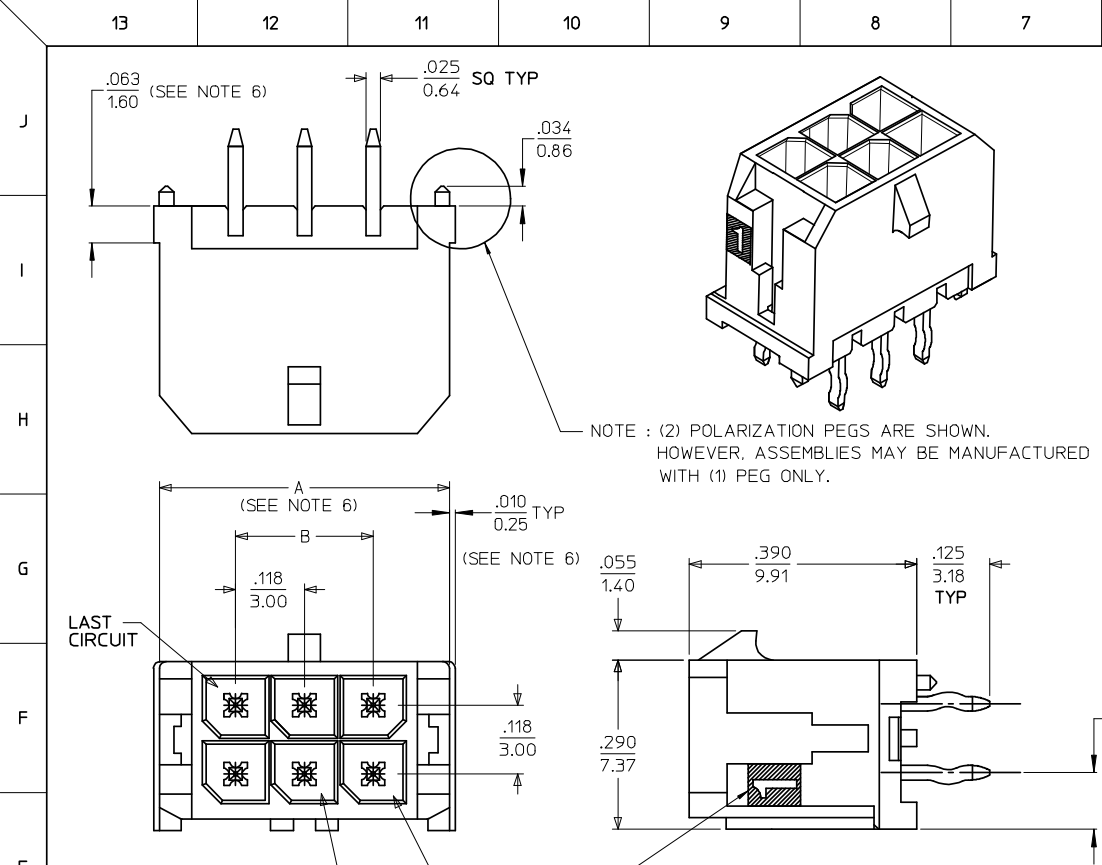
Material Info

Reference - Drawing Numbers

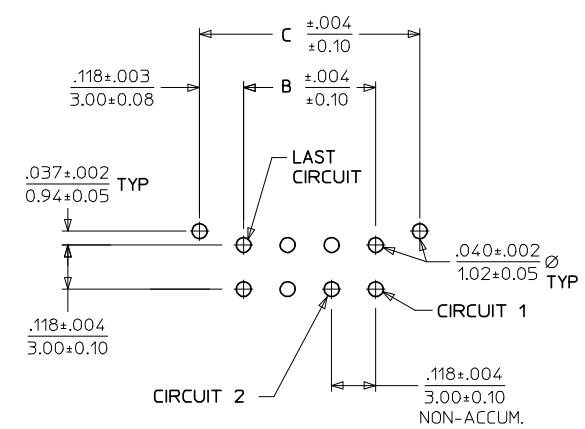
| | |
|-------------------------|--|
| Packaging Specification | PK-70873-0314 |
| Product Specification | PS-43045, RPS-43045-003, RPS-43045-004 |
| Sales Drawing | SD-43045-005 |
| Test Summary | TS-43045-001, TS-43045-002 |

This document was generated on 05/24/2010

PLEASE CHECK WWW.MOLEX.COM FOR LATEST PART INFORMATION



NOTE : (2) POLARIZATION PEGS ARE SHOWN. HOWEVER, ASSEMBLIES MAY BE MANUFACTURED WITH (1) PEG ONLY.



PCB LAYOUT: COMPONENT SIDE
RECOMMEND PCB THICKNESS: .062/157

| CKTS | A (SEE NOTE 6) | | |
|------|----------------|----------------|----------------|
| | B | C | |
| 02 | .262 6.65 | NA | .236 6.00 |
| 04 | .380 9.65 | .118 3.00 | .354 9.00 |
| 06 | .498 12.65 | .236 6.00 | .472 12.00 |
| 08 | .616 15.65 | .354 9.00 | .591 15.00 |
| 10 | .734 18.65 | .472 12.00 | .709 18.00 |
| 12 | .852 21.65 | .591 15.00 | .827 21.00 |
| 14 | .970 24.65 | .709 18.00 | .945 24.00 |
| 16 | 1.088 27.65 | .827 21.00 | 1.063 27.00 |
| 18 | 1.206 30.65 | .945 24.00 | 1.181 30.00 |
| 20 | 1.325 33.65 | 1.063 27.00 | 1.299 33.00 |
| 22 | 1.443 36.65 | 1.181 30.00 | 1.417 36.00 |
| 24 | 1.561 39.65 | 1.299 33.00 | 1.535 39.00 |

NOTES:

- HOUSING MATERIAL: GLASS FILLED LIQUID CRYSTAL POLYMER, UL94V-0, COLOR: BLACK
TERMINAL MATERIAL: BRASS ALLOY
- FINISH: A = .000100/(0.00254) MIN. TIN OVER .000050/(0.00127) MIN. NICKEL PLATE.
B = .000015/(0.00038) MIN. SELECT GOLD IN CONTACT AREA, .000100/(0.00254) MIN. SELECT MATTE TIN ON SOLDER TAILS, BOTH OVER .000050/(0.00127) MIN. NICKEL PLATE.
C = .000030/(0.00076) MIN. SELECT GOLD IN CONTACT AREA, .000100/(0.00254) MIN. SELECT MATTE TIN ON SOLDER TAILS, BOTH OVER .000050/(0.00127) MIN. NICKEL PLATE.
- * THE PRIMARY SHIPPING CARTON WILL BE LABELED "COMPLIANT TO RoHS DIRECTIVE 2002/95/EC AND ELV ANNEX II OF DIRECTIVE 2000/53/EC." CARTONS WITHOUT THIS LABEL MAY CONTAIN PRODUCT WITH TIN/LEAD IN THE PC TAIL AREA.
- PRODUCT SPECIFICATION: PS-43045
- MATES WITH MICRO FIT (3.0) RECEPTACLE SERIES 43025
- TRAY PACKAGED: SEE MOLEX DRAWING PK-70873-0314
- .010/0.25 OFFSETS ARE PRESENT ON ALL PARTS MANUFACTURED AFTER 11/1/2007, AND ON PARTS PRIOR TO 11/1/2007 THAT CONTAIN A GREEN DOT ON THE PRIMARY SHIPPING CARTON LABEL.
- THIS PART CONFORMS TO CLASS B REQUIREMENTS OF COSMETIC SPECIFICATION PS-45499-002.

CIRCUIT "1" IDENTIFIED ON THIS SURFACE (APPROX. LOCATION SHOWN FOR REF.)

| | FINISH A | FINISH B | FINISH C |
|------|--------------|--------------|--------------|
| CKTS | MATERIAL NO: | MATERIAL NO: | MATERIAL NO: |
| 02 | 43045-0212 | 43045-0213 | 43045-0214 |
| 04 | 43045-0412 | 43045-0413 | 43045-0414 |
| 06 | 43045-0612 | 43045-0613 | 43045-0614 |
| 08 | 43045-0812 | 43045-0813 | 43045-0814 |
| 10 | 43045-1012 | 43045-1013 | 43045-1014 |
| 12 | 43045-1212 | 43045-1213 | 43045-1214 |
| 14 | 43045-1412 | 43045-1413 | 43045-1414 |
| 16 | 43045-1612 | 43045-1613 | 43045-1614 |
| 18 | 43045-1812 | 43045-1813 | 43045-1814 |
| 20 | 43045-2012 | 43045-2013 | 43045-2014 |
| 22 | 43045-2212 | 43045-2213 | 43045-2214 |
| 24 | 43045-2412 | 43045-2413 | 43045-2414 |

| | | | | | |
|--|--|--|--|--|---|
| ADD .097 DIM. NOTE 8 EC NO: UCP2008-0324 DRWN:WKP/PER 2007/12/19 CHKD:SS/USEK 2007/12/20 APPR:FSM/LTH 2007/12/21 T1 REV | QUALITY SYMBOLS ▽=0 ▽=0 | GENERAL TOLERANCES (UNLESS SPECIFIED) mm INCH 4 PLACES ± --- ± --- 3 PLACES ± --- ± .010 2 PLACES ± 0.25 ± .014 1 PLACE ± 0.36 ± --- ANGULAR ±1/2° | DIMENSION STYLE IN/MM DRAWN BY DATE SAMIEC 2000/03/15 CHECKED BY DATE MUELLER 2000/03/15 APPROVED BY DATE EDGLEY 2000/03/15 | SCALE --- DESIGN UNITS METRIC THIRD ANGLE PROJECTION | TITLE MICRO FIT (3.0) DUAL ROW VERTICAL THRU HOLE HEADER ASS'Y MOLEX MOLEX INCORPORATED DOCUMENT NO. SD-43045-005 SHEET NO. 1 OF 1 |
| | DRAFT WHERE APPLICABLE MUST REMAIN WITHIN DIMENSIONS | | SEE CHART | | THIS DRAWING CONTAINS INFORMATION THAT IS PROPRIETARY TO MOLEX INCORPORATED AND SHOULD NOT BE USED WITHOUT WRITTEN PERMISSION |
| | | | | | |
| | | | | | |